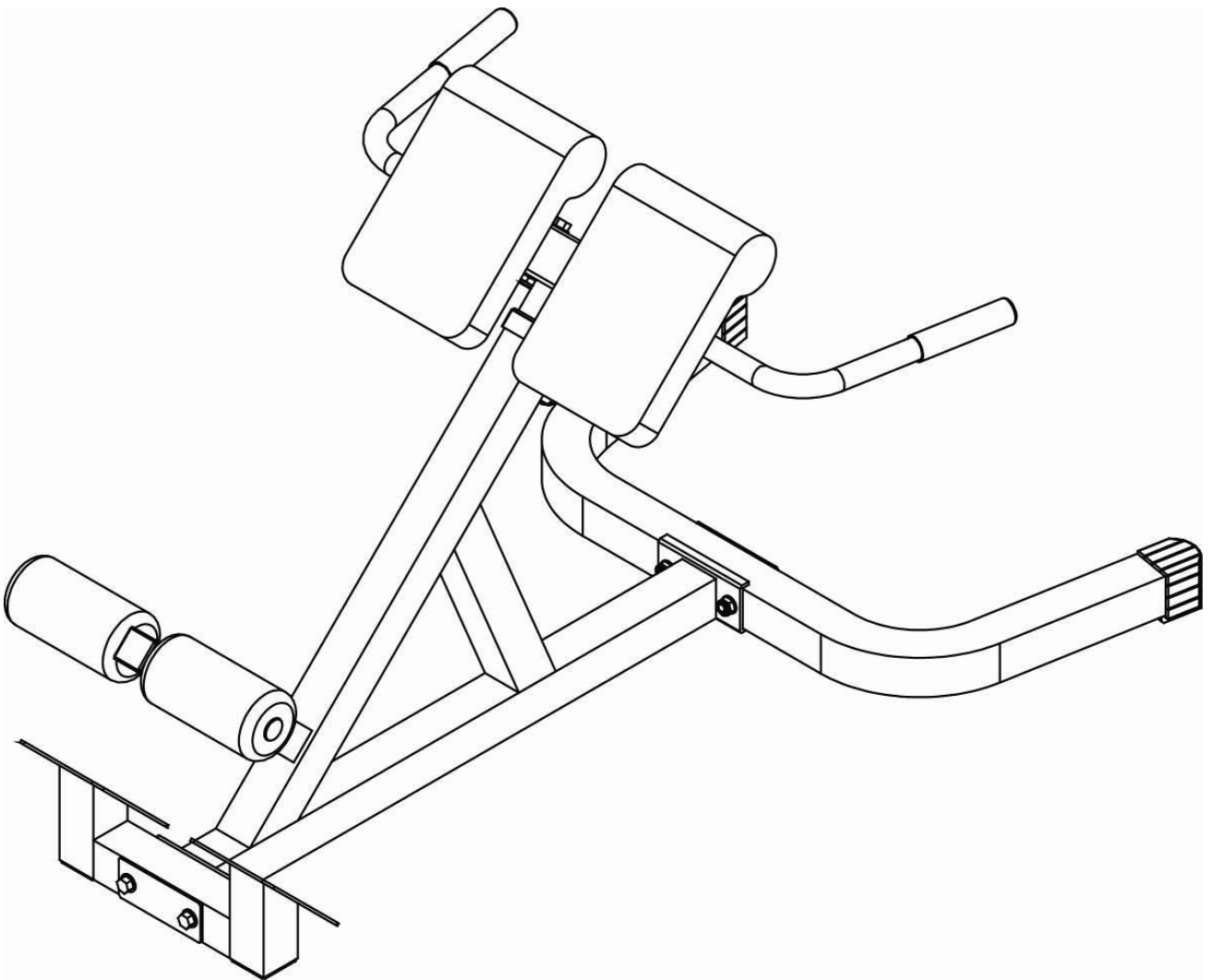






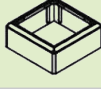



virtuafit

Hyperextension

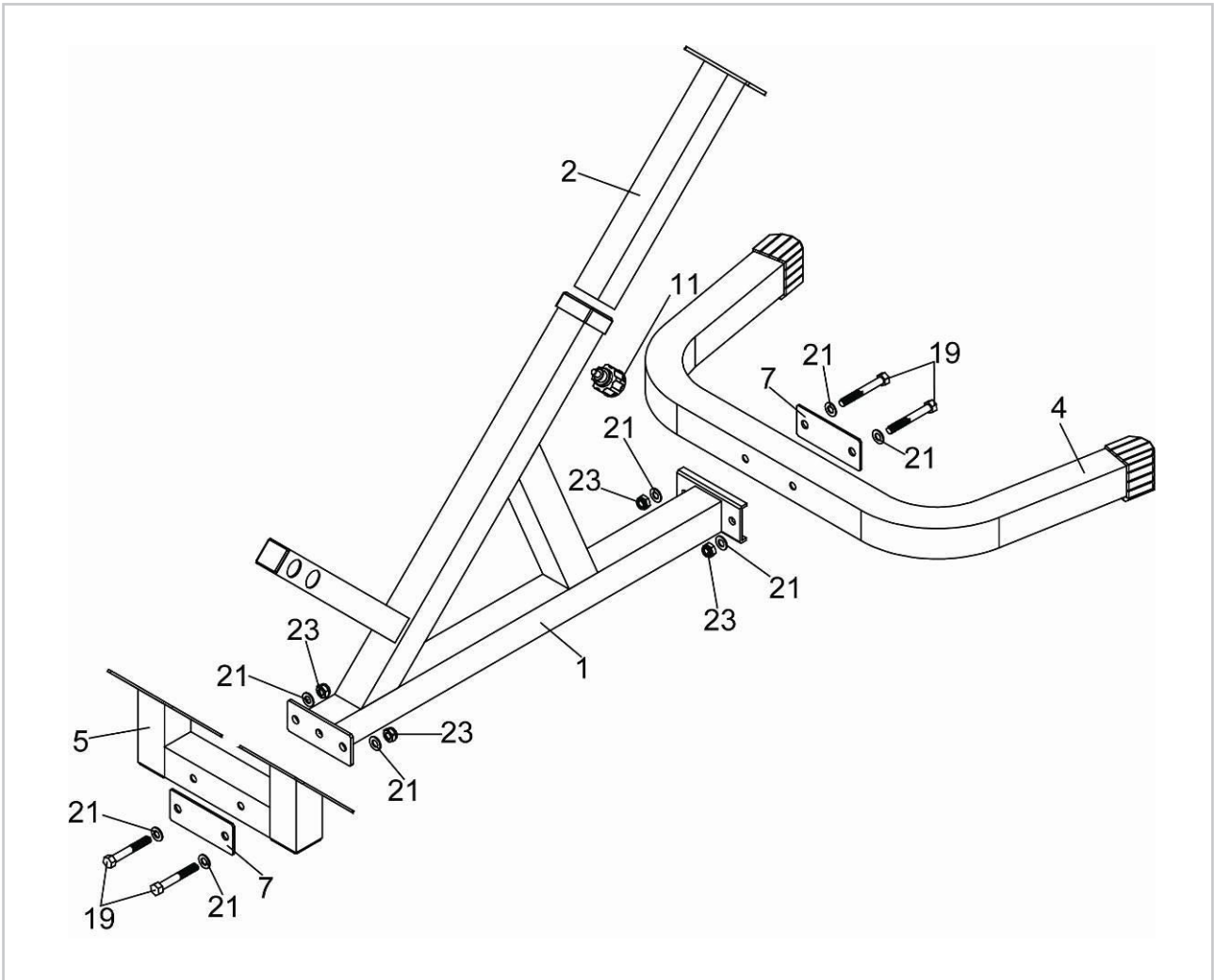
User manual



NUMBER	DESCRIPTION	IMAGE	QTY
1	Main Frame		1
2	Adjustment Tube		1
3	Hand Bar		1
4	Bottom Tube		1
5	Pedal Frame		1
6	Foam Tube		1
7	Plate		2
8	Cushion (Right)		1
9	Cushion (Left)		1
10	Foam Roller		2
11	Quick Knob		1
12	Foot End Cap		2

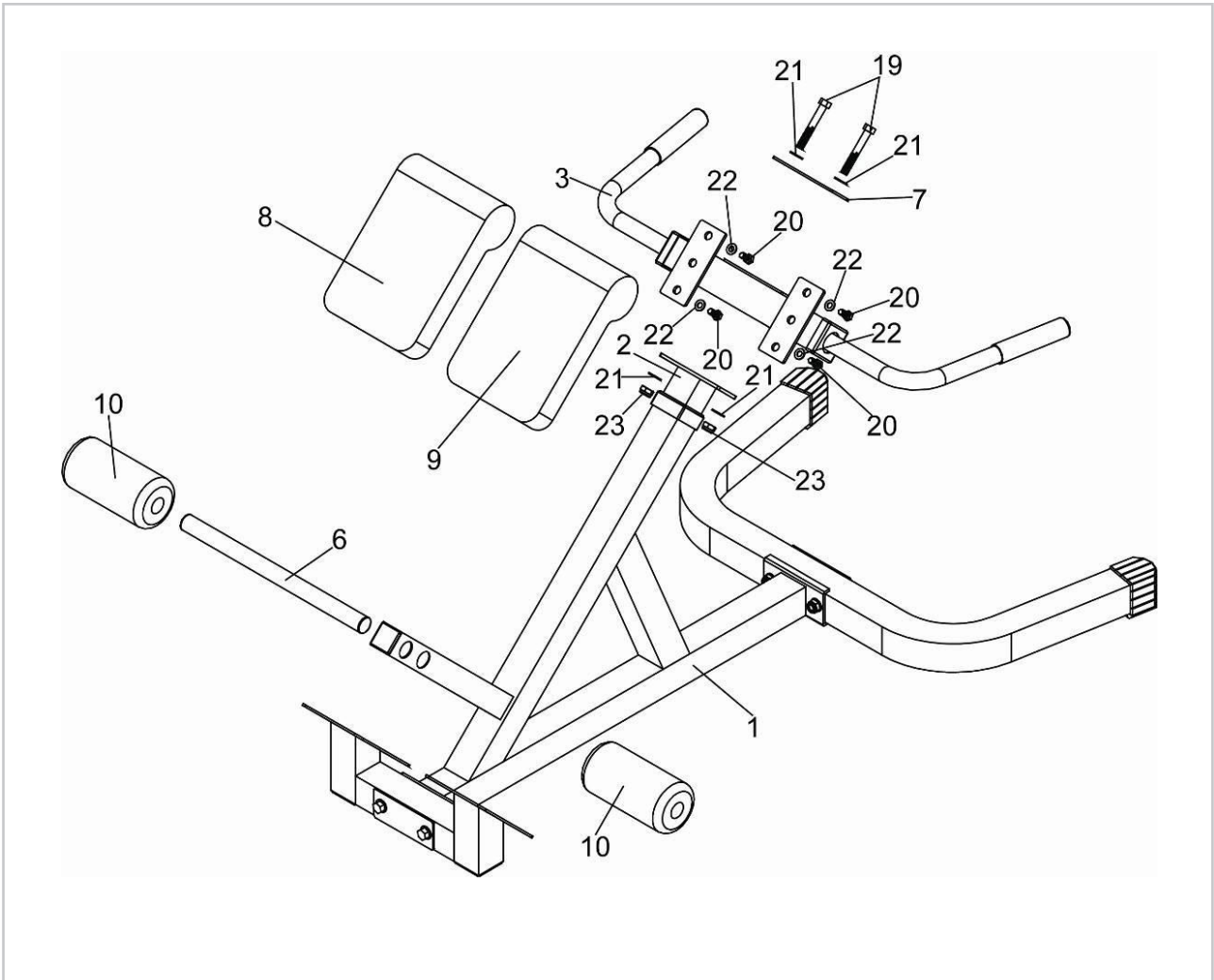
NUMBER	DESCRIPTION	IMAGE	QTY
13	Mid-empty Plug (50x26mm)		2
14	38mm Square Plug		1
15	50mm Square Plug		2
16	25mm Round Plug		2
17	Hand Grip		2
18	Mid-empty Plug (50x45mm)		1
19	Hex Bolt M10x70mm		6
20	Hex Bolt M8x20mm		4
21	M10 Washer		12
22	M8 Washer		5
23	M10 Nylon Nut		6

STEP 1

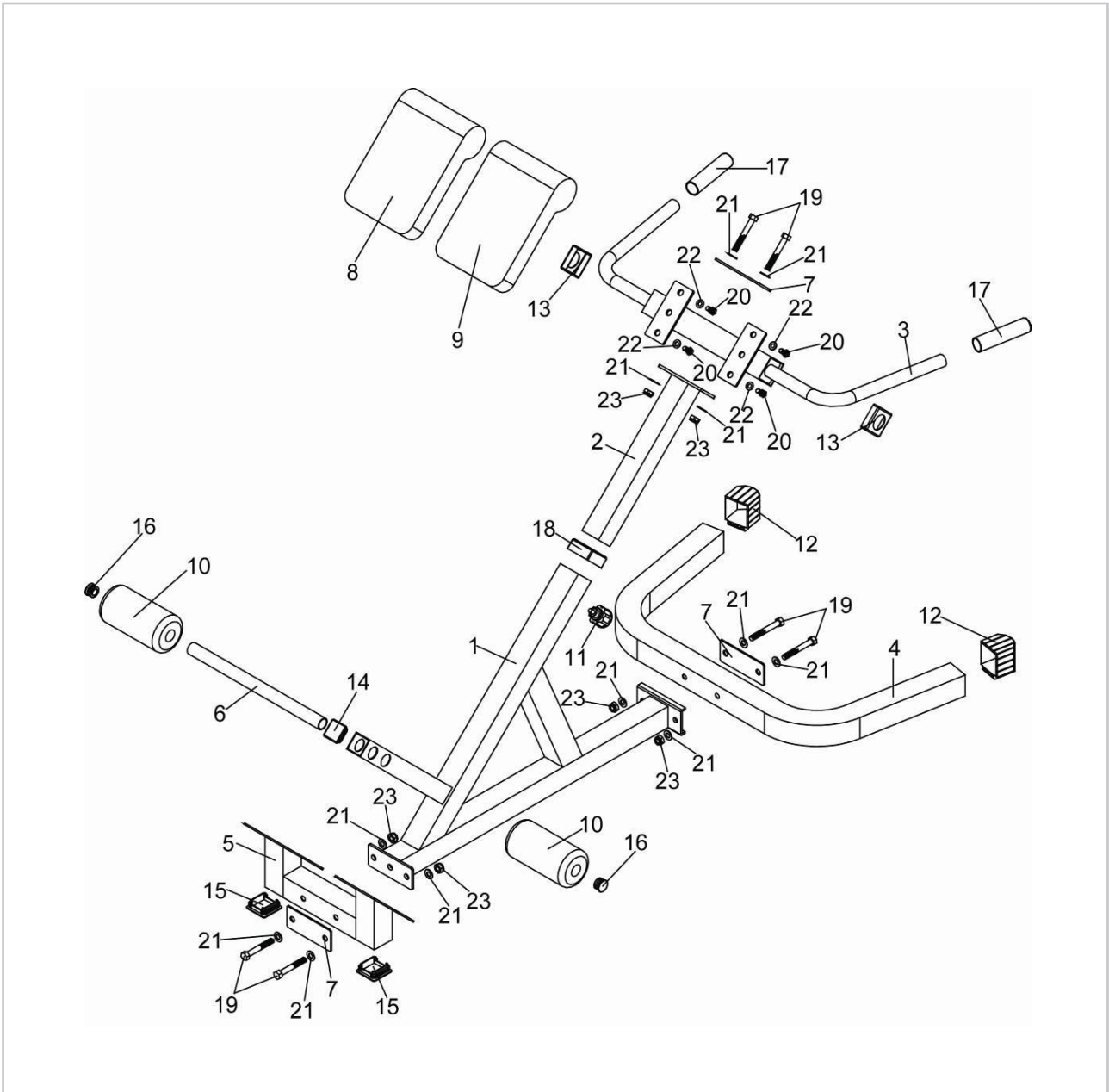


1. Attach the Pedal Frame (5) and the Plate (7) to the Main Frame (1), using two M10X70mm Hex Bolts (19), four M10 Washers (21) and two M10 Nylon Nuts (23).
2. Attach the Bottom Tube (4) and the Plate (7) to the Main Frame (1), using two M10X70mm Hex Bolts (19), four M10 Washers (21) and two M10 Nylon Nuts (23).
3. Insert the Adjustment Tube (2) into the Main Frame (1), using one Quick Knob (11).

STEP 2



1. Attach the Hand Bar (3) to the Adjustment Tube (2), using two M10X70mm Hex Bolts (19), four M10 Washers (21) and two M10 Nylon Nuts (23).
2. Attach the Cushion (Right) (8) and the Cushion (Left) (9) to the Hand Bar (3), using four M8X20mm Hex Bolts (20) and four M8 Washers (22).
3. Insert the Foam Tube (6) into the Main Frame (1), then slide the Foam Roller (10) onto the Foam Tube (6).



virtu profit

For questions or missing parts please contact your dealer.