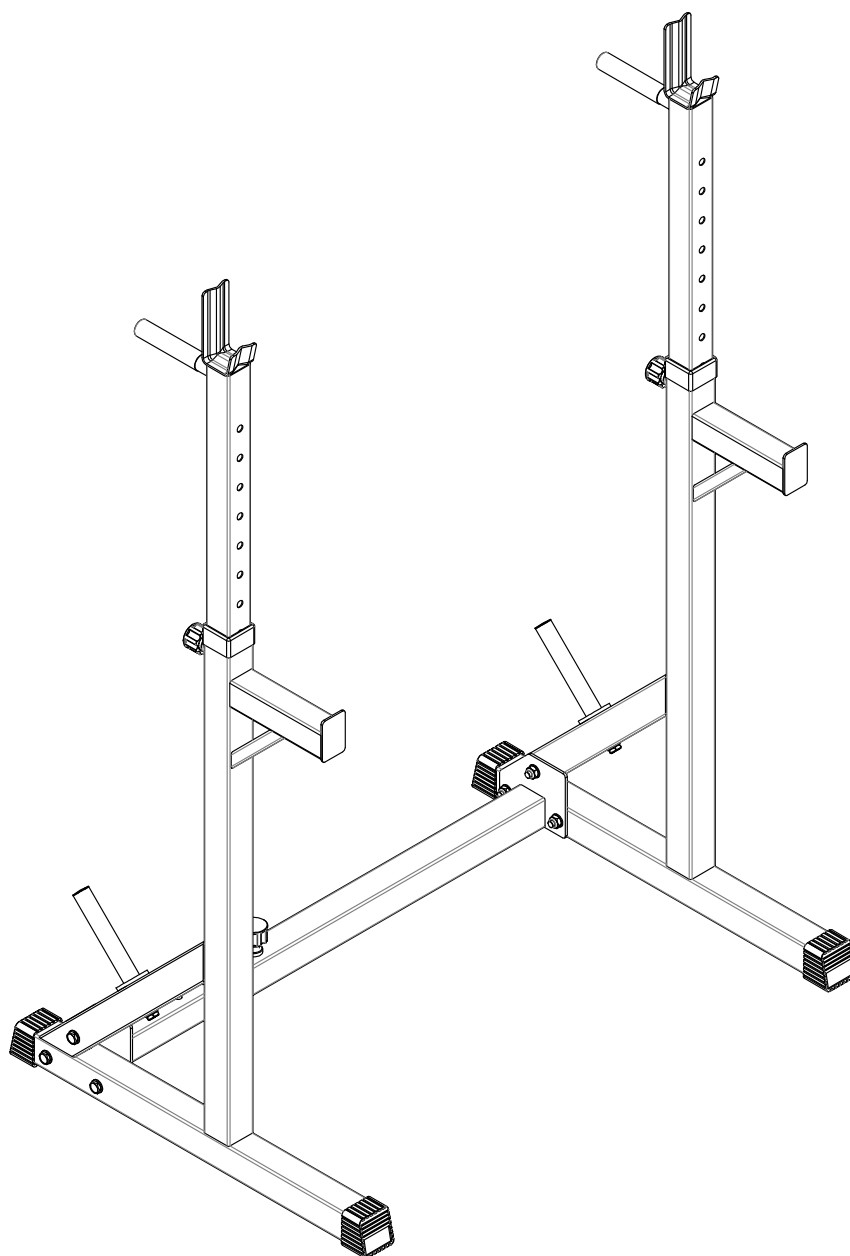
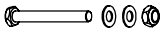
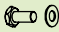



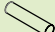


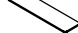


virtuafit

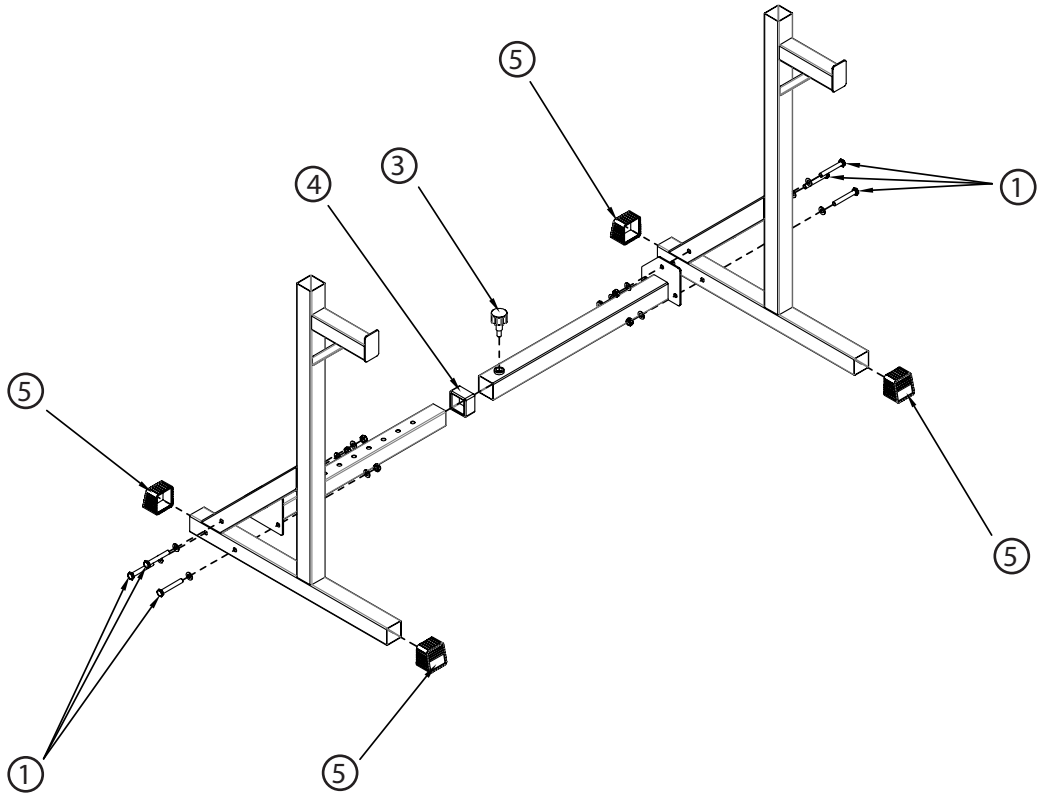
Adjustable Squat Rack

Manual



NUMBER	DESCRIPTION	IMAGE	QTY
1	M10 X 70 Bolt, Nut, Washer		6
2	M10 X 20 Bolt, Washer		2
3	Adjusting Popper Pin		3
4	50-45 Tube Bushing		3
5	50*50 Foot Cover		4
6	Ø25 Grip Handle		2
7	Ø25 Tube Plug		2
8	Ø25 - Ø50 Crash Pad		2
9	Rubber		2

STEP 1



STEP 2

