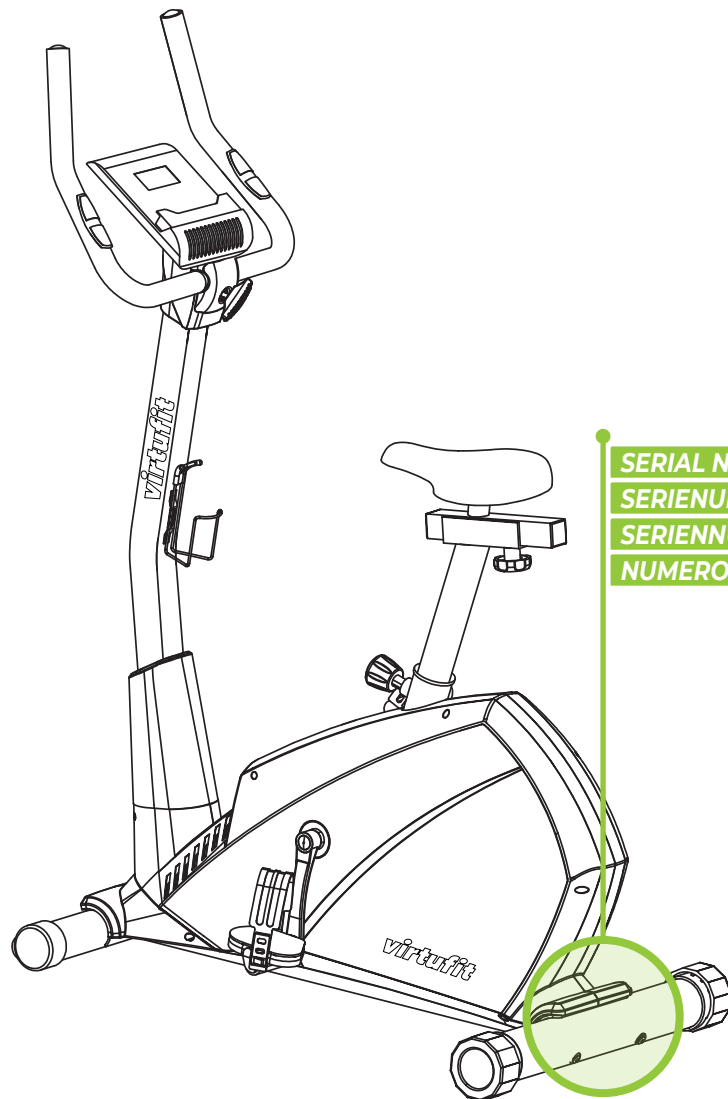


# virtufit

HTR 2.0 Ergometer Hometrainer

VFHTR-2.0



SERIAL NUMBER  
SERIENUMMER  
SERIENNUMMER  
NUMERO DE SERIE

ASSEMBLY  
VIDEO



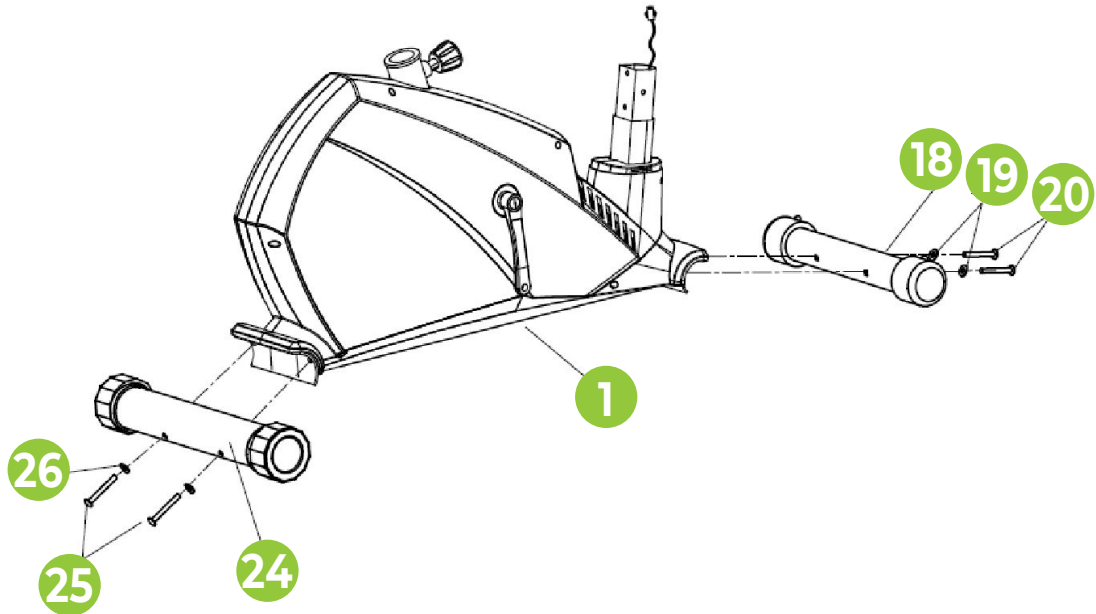
📍 @virtufit\_fitness

▶ VirtuFit

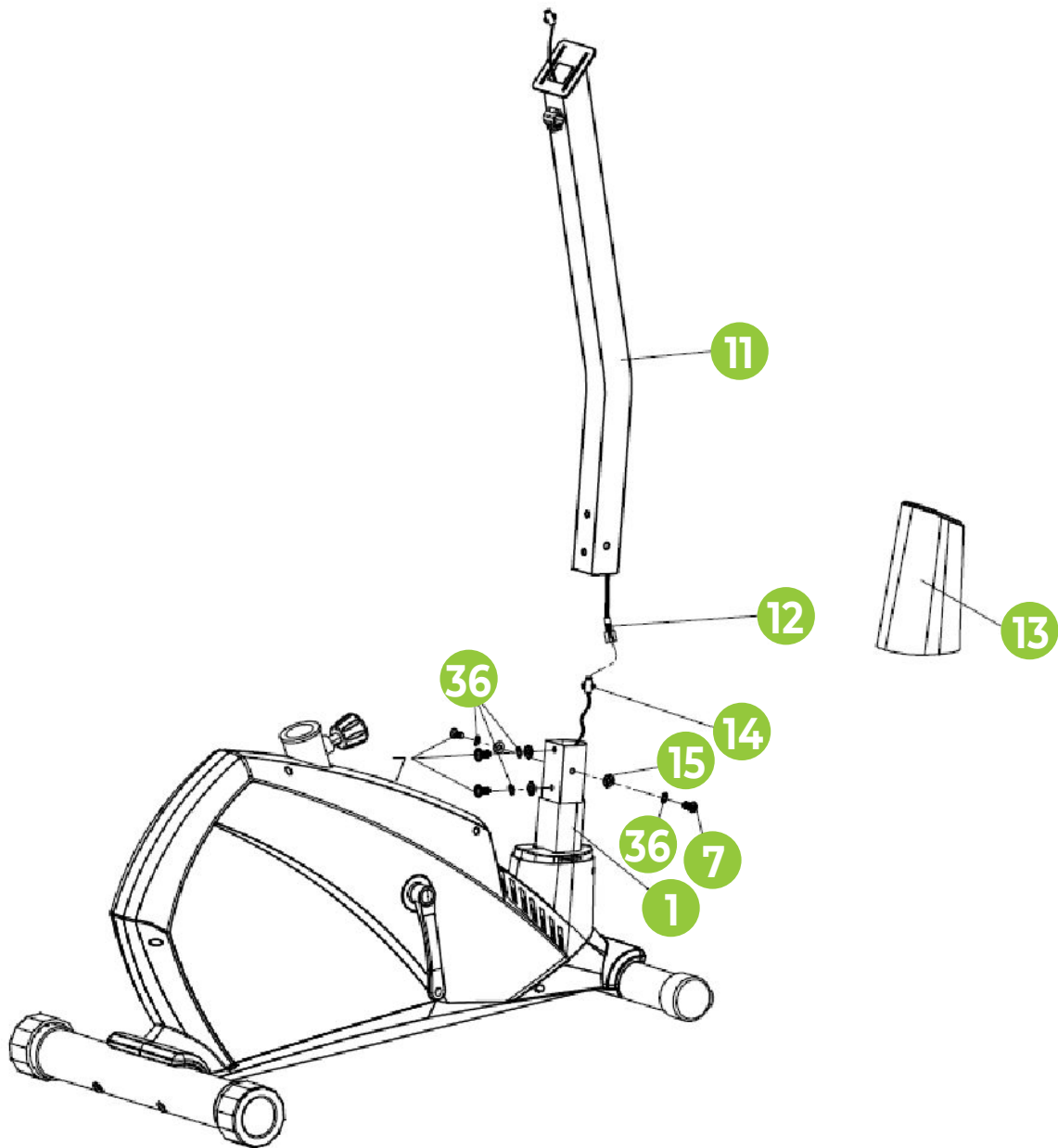
🌐 www.virtufit.com

USER MANUAL

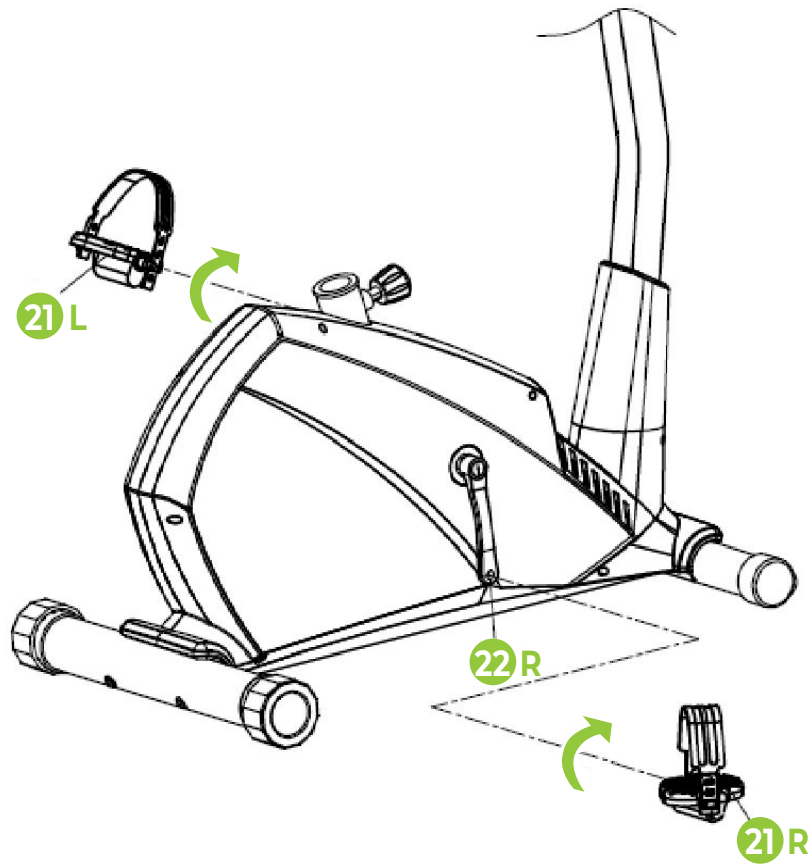
STEP 01



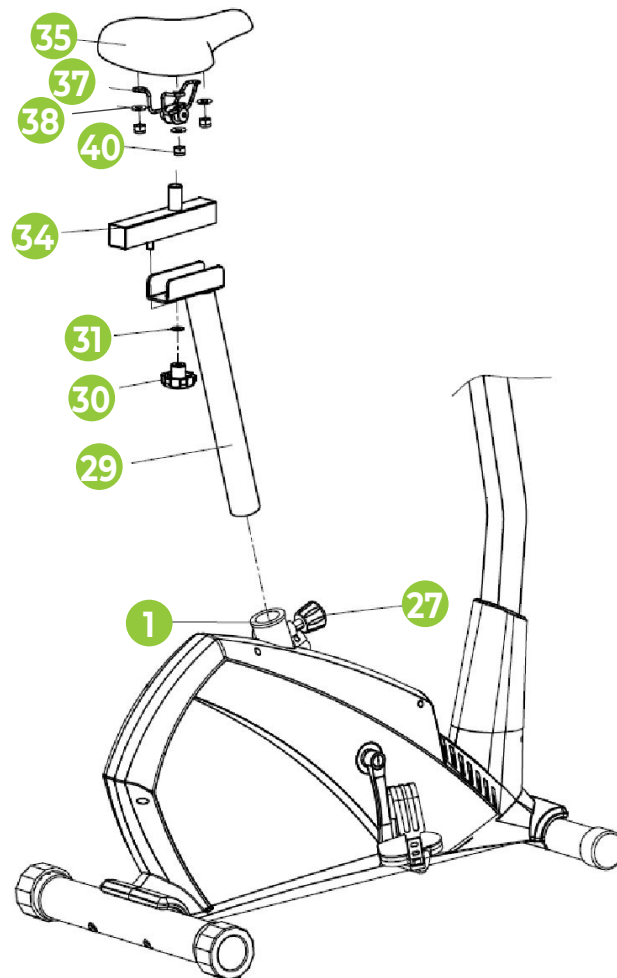
STEP 02



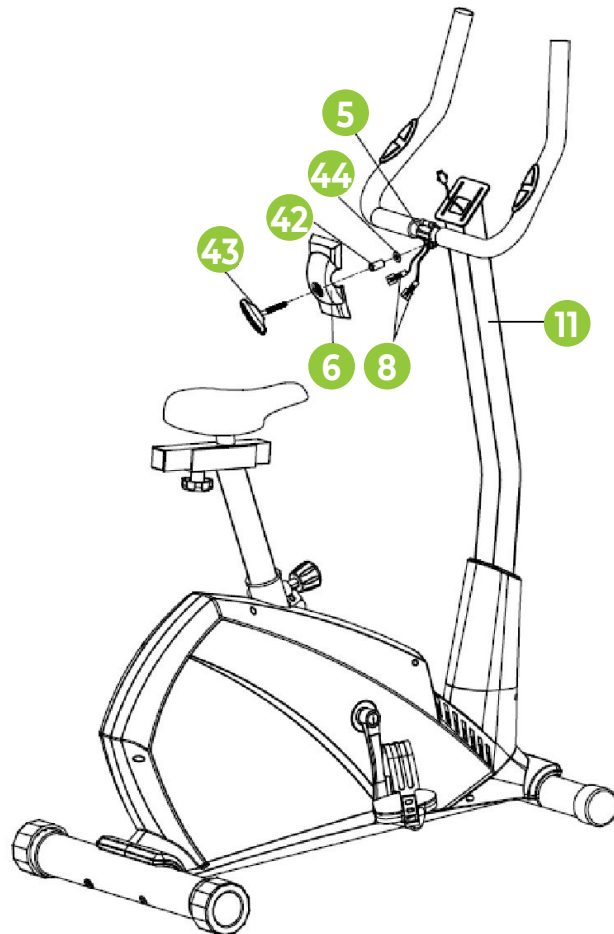
STEP 03



STEP 04



STEP 05



STEP 06

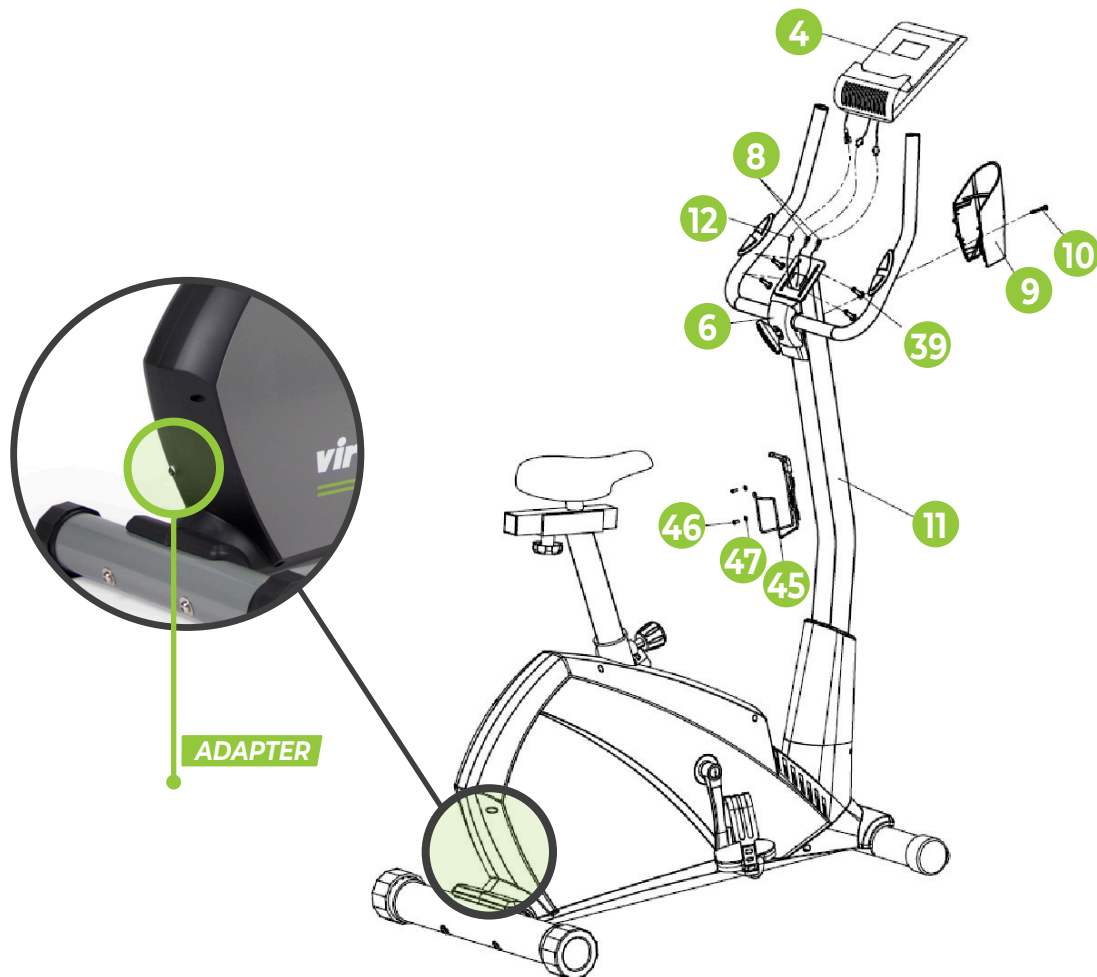
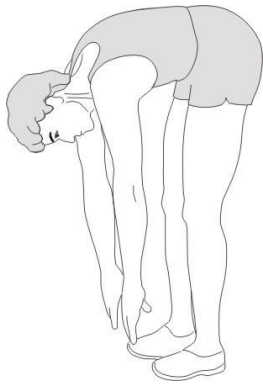


FIG. A





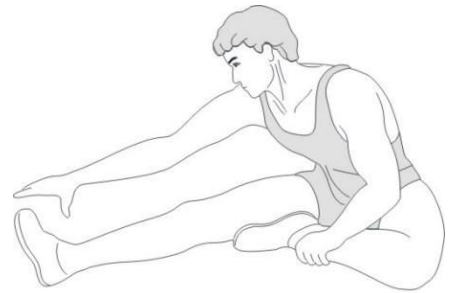
FIG. B



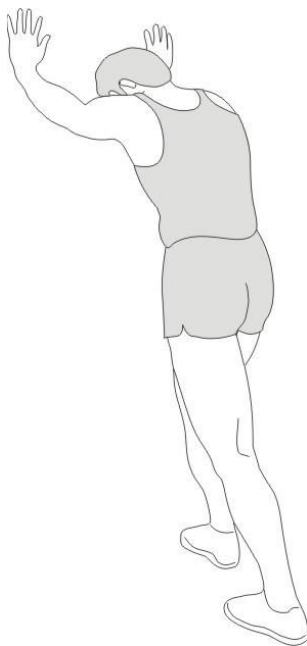
1



2



3



4



5

## INDEX

---

<b>Safety instructions</b>	<b>10</b>
<b>Guarantee</b>	<b>10</b>
<b>Assembly instructions</b>	<b>10</b>
<b>Adjusting</b>	<b>11</b>
<b>Training with heart rate</b>	<b>11</b>
<b>Maintenance</b>	<b>11</b>
<b>Troubleshooting</b>	<b>12</b>
<b>Error codes</b>	<b>12</b>
<b>Console</b>	<b>12</b>
<b>Programs</b>	<b>13</b>
<b>Training guidelines</b>	<b>14</b>

## SAFETY INSTRUCTIONS

---

### WARNING!

*Consult your doctor before you start exercising. This is particularly important for people with health problems. Please read all instructions before using the machine. VirtuFit assumes no responsibility for injury or property damage resulting from the use of this equipment. Please read this manual carefully before assembling and/or using the machine.*

- Make sure that the machine is properly assembled and that all nuts and bolts are tight before using it.
- Lubricate all moving parts annually with petroleum jelly (acid-free) or silicone spray.
- Do not wear loose clothing to avoid getting caught in moving parts.
- Install and use the unit on a solid, level surface.
- Always wear clean sports shoes when using the appliance.
- Keep children and pets away from the appliance when in use.
- Maintain your balance when using the device.
- Do not place your fingers or other objects in the moving parts.
- Before exercising, consult your physician to determine the appropriate frequency, duration and intensity of exercise for your age and physical condition. Stop exercising immediately if you experience nausea, shortness of breath, fainting, headache,

chest pain, tightness or any other discomfort.

- Do not hold the machine by the seat when moving.
- This machine should only be used by one person at a time.
- This machine is designed for domestic use and the maximum user weight is 150 kg.
- Leave 1-2 metres of space behind the machine to avoid accidents.
- Place the machine on a clean, flat surface. Do not place it on a thick carpet, as this may hinder the ventilation of the machine. Do not place the machine outdoors or near water.
- Keep the storage area dry, clean and level to prevent damage. Do not use the device for any purpose other than training.
- Use the device only in an environment where the ambient temperature is between 10°C and 35°C. Store the device only in an environment where the temperature is between 5°C and 45°C.

## GUARANTEE

---

**Warranty claims are excluded if the cause of the defect is the result of:**

- Maintenance and repair work not carried out by an official dealer.
- Improper use, negligence and/or poor maintenance.
- Failure to maintain the appliance in accordance with the manufacturer's instructions.

## ASSEMBLY INSTRUCTIONS (STEP 01-06)

---

**Missing parts:** If any parts are missing from the packaging, carefully check the polystyrene foam and the appliance itself. Some parts (bolts, screws, etc.) are already attached to the unit.

**Error message:** Make sure that all cables are carefully attached. The aluminium feet of the console are very sensitive and must be kept straight. If the console gives an error message after the machine has been mounted, the aluminium feet of the console may be bent. Straightening the aluminium feet may make the error message disappear.

**Hex head bolts:** Make sure that the hex head spanner is pushed into

the bolt before applying force. This will prevent the head of the socket bolt from turning.

## ADJUSTING

### Adjusting the saddle (A)

In order to train effectively, it is advisable to adjust the saddle to the correct height. When pedalling, your knees should be slightly bent when the pedals are in the down position.

To adjust the saddle to the vertical position, follow the steps below:

- Loosen the knob on the seat post and pull the knob towards you.
- Move the seat post up or down until the saddle is in the desired position and release the knob.
- Move the seat post slightly up or down to ensure that the knob is in one of the adjustment holes.
- Tighten the knob on the seat post.

To adjust the saddle to the horizontal position, follow the steps below:

- Loosen the saddle knob a few turns.
- Slide the saddle forward or backward until it is in the desired position.
- Tighten the saddle knob.

### Adjusting the handlebars (B)

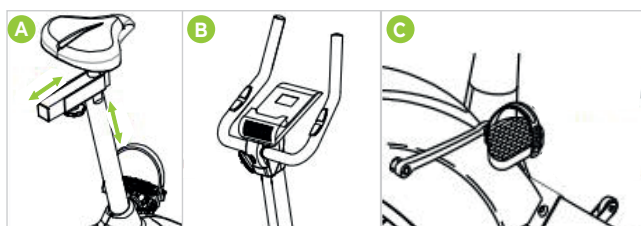
To adjust the handlebar angle, follow the steps below:

- Loosen the knob.
- Tilt the handles to the desired position.
- Tighten the knob to secure the handles.

### Adjusting the foot straps (C)

To adjust the foot straps, follow the steps below:

- Remove the end of the foot strap from the lips of the pedal.
- Adjust the footrest to the desired position.
- Attach the end of the foot strap to the tabs on the pedal.



## TRAINING WITH HEART RATE

### Hand sensors

This VirtuFit fitness machine is equipped with hand sensors to measure heart rate. The hand sensors are attached to the handle and only work if both sensors are held for a long time. For optimal performance, it is important that the hands are slightly damp and exert constant pressure on the sensors. Hands that are too dry or too wet may result in abnormal readings.

**CAUTION!** Never use the hand sensors in combination with a wireless device to avoid interference.

## MAINTENANCE

*Safe and efficient use can only be achieved if the appliance is properly installed and maintained. It is your responsibility to ensure that the appliance is maintained regularly. Parts that have been used and/or damaged must be replaced before the appliance is used again. The appliance should only be used and stored indoors. Long-term exposure to weather and temperature/humidity changes can have a serious impact on the electrical components and moving parts of the unit. Always unplug the power cord from the unit before cleaning or servicing it.*

### Daily maintenance

- Clean and remove sweat and moisture after each use.
- Check that the unit is free of dust and dirt.
- Do not use aggressive cleaning agents and keep the device away from moisture.

### Semi-annual maintenance

- Inspect all bolts and nuts connected to the moving parts of the unit. Tighten bolts and nuts as necessary and appropriate.

We recommend the following:

- Unplug the power cord after each use, especially if children are present.
- Clean the unit after use.
- Use a dry cloth to clean the control panel and the areas around the on/off switch.
- Use a soft, clean cloth and detergent to remove stubborn marks and dirt from the unit.

- Store the unit in a safe, dry place away from heat and water.

### CAUTION!

- **Repairs must be carried out by a professional technician, unless otherwise specified by the supplier or manufacturer.**

## Cleaning

General cleaning of the unit will extend its life. Keep the appliance clean by dusting it regularly. Regular maintenance will prolong the life of your appliance and prevent injuries! For more information, please visit <https://www.virtufit.nl/service/faq/>

**CAUTION!** *Wear clean shoes to reduce the risk of soiling the machine. At least once a year, remove the cover to remove dust.*

## TROUBLESHOOTING

**The display does not show any values:** Check that the sensor and console cables are properly attached and undamaged. If this does not solve the problem, contact the supplier.

**Exercise bike squeaks:** Check that all bolts and nuts are tight. If necessary.

**Ticking noise when pedalling:** This may be caused by one of the pedals. Remove the pedal(s) and mount it (them) correctly on the unit. Tighten the pedal(s) firmly. If this does not solve the problem, contact the supplier.

**NOTE!** *The "R" (right) pedal must be mounted clockwise and the "L" (left) pedal must be mounted counter-clockwise.*

**The hand sensors are not working properly:** Wash your hands, dry them well and test the hand sensors again. If this does not solve the problem, check the handlebar cables for damage and ensure that they are properly connected to the connector. If this still does not correct the problem, replace the handlebar.

**Console does not work:** If there is no signal when pedalling, check that the cable is correctly connected.

## ERROR CODES

### E1:

- **Motor does not work (motor problems)**

**Solution:** This problem may be caused by the motor having difficulty adjusting its resistance, resulting in a loud motor noise. When this happens, the motor may be possibly damaged by a malfunction. If this does not solve the problem, contact the supplier.

- **There is a problem with the cables**

**Solution:** Check that the cables are not damaged or that they cannot cause a short circuit.

- **The console has a problem.**

**Solution:** Replace the console

### E2:

- **A problem with the cables**

**Solution:** Make sure the cables are not damaged or have the potential to short.

- **There is a problem with the console:**

**Solution:** Replace the console.

- **There is a problem with the motor:**

**Solution:** Replace the motor.

### E3: There is a problem with the cables.

- **Solution:** Make sure the cables are not damaged or short-circuited.

### E4: During the body fat analysis, the first 8 seconds do not detect the heart.

- **Solution:** Wash your hands, dry them well and retest the hand sensors. Hold the handles firmly with both hands.

## CONSOLE (FIG. A)



- **START/STOP**

- START/STOP - Start/stop the workout.
- Start the body fat management program.
- Press and hold to reset all function values (only works in stop mode).

- **MIN (-):** Press the "-" button to decrease the value of the selected function. During a workout, press the "-" button to decrease the

resistance.

- **PLUS (+):** Press the + button to increase the value of the selected function. During a workout, press the "+" button to increase the resistance.
- **ENTER:** To select the desired mode or confirm the desired value.
- **RECOVERY:** Press the "RECOVERY" button during exercise when the heart rate value is displayed to start the heart rate recovery function. F1 is the lightest and F6 is the heaviest.
- **MODE:** Press the "MODE" button to toggle between different functions and values during exercise.

## Functions

- **TIME:** The total duration of the workout is displayed.
- **SPEED:** The speed of the workout is displayed.
- **DISTANCE:** Shows the distance covered.
- **CALORIES:** Displays the total number of calories burned during the workout.
- **PULSE:** When using the heart rate sensors, your heart rate is displayed during the workout.

## PROGRAMS

### Manual Program

**P1:** Select "MANUAL" with the '+' or '-' key and press the "ENTER" key. The "TIME" function flashes, so that the value can be adjusted with the "+" or "-" key. Press the "ENTER" key to save the value and move to the next function to be set. Continue with all desired data and press "START/STOP" to start the training. If you enter a value, it will be counted down during the workout. If you leave it blank, the data will add up until you stop the workout.

**NOTE!** *If any of the set values count down to zero (0), the console will beep and the workout will automatically stop. Press the "START" button to continue your workout.*

### Preset Programs

**P2 - P14:** There are 10 pre-programmed programs ready to use. All programs have 24 resistance levels. To select a program, use the '+' or '-' button to select one of the preset programs and press 'ENTER'. First, the "TIME" function will flash so that you can set it with the "+" or "-" keys. Press "ENTER" to save the value and move on to the next function you want to set. Continue with all the desired data and press "START/STOP" to start the training. If you enter a value, it will be counted down

during the workout. If you leave it blank, the data will add up until you stop the workout.

**NOTE!** *Any of the set values will count down to zero (0), the console will beep and the workout will automatically stop. Press the START button to continue your workout.*

### Watt Programs

**P15:** Select "POWER CONTROL PROGRAM" with the '+' or '-' key and press "ENTER". First of all, the "TIME" function flashes so that you can adjust it with the "+" or "-" key. Press "ENTER" to save the value and move on to the next function you want to set. Continue with all desired data and press "START/STOP" to start the training. If you enter a value, it will be counted down during the workout. If you leave it blank, the data will add up until you stop the workout.

**NOTE!** *If any of the set values count down to zero (0), the console will beep and the workout will automatically stop. Press the START button to continue your workout. The console will automatically adjust the resistance according to the speed to maintain a constant wattage value. Use the "-" button to adjust the power during your workout.*

### Body Fat Program

**P16:** Select "BODY FAT PROGRAM" with the '+' or '-' key and press 'ENTER'. 'MALE' flashes, the sex can be adjusted with the '+' or '-' key, press "ENTER" to save the data and move on to the next. '175" for the height (length) is flashing. The height can be adjusted with the '+' or '-' key, press 'ENTER' to save the data and move on to the next one. '75" for the weight is flashing, it can be adjusted with the '+' or '-' key and press 'ENTER' to save the data and move on to the next one. '30" for age is flashing, it can be adjusted with the '+' or '-' key, then press 'ENTER' to save the data. Then press 'START/STOP' to calculate your body fat percentage. Be sure to also hold the heart rate sensors to measure your heart rate. After 15 seconds the display will show the body fat %, BMR, BMI and profile type.

**NOTE!** *There are 9 types of profiles based on the calculated fat percentage (FAT%).*

<b>TYPE 1</b>	Ranges from 5 to 9%
<b>TYPE 2</b>	Ranges from 10 to 14%
<b>TYPE 3</b>	Ranges from 15 to 19%
<b>TYPE 4</b>	Ranges from 20 to 24%
<b>TYPE 5</b>	Ranges from 25 to 29%

TYPE 6	Ranges from 30 to 34%
TYPE 7	Ranges from 35 to 39%
TYPE 8	Ranges from 40 to 44%
TYPE 9	Ranges from 45 to 49%

**BMR:** Basal Metabolism Ratio

**BMI:** Body Mass Index

**NOTE!** Press the **START/STOP** button to return to the main display.

### Heart Rate Target Program

**P17** Select "TARGET H.R." with the '+' or '-' key and press "ENTER". The first function "TIME" will flash to allow the time to be set with the '+' or '-' key. Press "ENTER" to save the value and move to the next function to be set. Continue to set all desired data and press the "START/STOP" button to start the workout. If you enter a value, it will be counted down during the workout. If you leave it blank, the data will add up until you stop training.

**NOTE!** If the heart rate is above or below the target heart rate ( $\pm 5$ ), the exercise bike will automatically adjust the resistance. It takes approximately 10 seconds for the resistance to increase or decrease. When one of the set values counts down to zero (0), the console will beep, and the workout will automatically stop. Press the "START" button to continue your workout.

### Target

**P18 - P20** Each program has a specific target:

**P18-60% H.R TARGET** 60% of (220-age)

**P19-75% H.R TARGET** 75% of (220-age)

**P20-85% H.R TARGET** 85% of (220-age)

Select a heart rate program with the '+' or '-' key and select it with the 'ENTER' key. The first function "TIME" will flash to allow you to set the time with the "+" or "-" key. Press the 'ENTER' key to save the value and move to the next function to be set. Continue in this way with all the desired data and then press the "START/STOP" button to start the training. If you enter a value, it will be counted down during the workout. If you leave it blank, the data will add up until you stop training.

**NOTE!** If the heart rate is above or below the target heart rate ( $\pm 5$ ), the exercise bike will automatically adjust the resistance. It takes approximately 10 seconds for the resistance to increase or decrease. When one of the set values counts down to zero (0), the console will

beep, and the workout will automatically stop. There are four user programs that can be selected from U1 to U4. A user program allows the user to create their own program that can be used immediately. If you enter a value, it will be counted down during the workout. If you leave it blank, the data will add up until you stop the training

### User Programs

**P21 - P24** Select a user program with the '+' or '-' keys and press 'ENTER'. The first function "TIME" flashes to allow you to set the time using the '+' or '-' key. Press 'ENTER' to save the value and move to the next function to be set. Continue in this way with all desired data. After setting, level 1 will flash. Use the '+' or '-' key to adjust the level and press 'ENTER' to move to the next column. Do the same for the other columns, so that you go through all 10 columns. Then press the 'START/STOP' button to start the workout. If you enter a value, it will be counted down during the workout. If you leave it blank, the data will add up until you stop the workout.

**NOTE!** If any of the workout data counts down to zero (0), a sound will be heard, and the workout will automatically stop. Press the "START" button to continue your workout.

### TRAINING GUIDELINES (FIG. B, 1-5)

A successful training program includes a warm-up, the actual training and a cool-down. Perform the complete training program at least twice, but preferably three times a week and keep a rest day between training sessions. After a few months, the intensity of the training can be increased, for example to four or five times a week.

### The warm-up

The purpose of a warm-up is to prepare the body for training and to reduce the risk of injury. Warm up your body for two to five minutes before starting a cardio or strength training session. Do exercises that increase the heart rate and warm up the working muscles. Examples of this type of activity are running, jogging, jumping jacks, skipping and running in place.

### Stretching

Stretching while the muscles are warm is very important after a good warm-up and cool-down. It reduces the risk of injury. Stretching exercises should be held for 15-30 seconds. Here are some examples of

stretching exercises:

- Toe touch (Fig. B-1)
- Inner thigh stretch (Fig. B-2)
- Hamstring stretch (Fig. B-3)
- Achilles stretch (Fig. B-4)
- Side stretch (Fig. B-5)

## **Cooling down**

---

The purpose of the cool-down is to return the body to its (near) normal resting position at the end of the workout. A good cool-down slowly reduces your heart rate and promotes recovery.

## INHOUD

<b>Veiligheidsinstructies</b>	<b>16</b>
<b>Garantie</b>	<b>16</b>
<b>Montage Instructies</b>	<b>17</b>
<b>Afstellen</b>	<b>17</b>
<b>Trainen met hartslag</b>	<b>17</b>
<b>Onderhoud</b>	<b>17</b>
<b>Probleemoplossingen</b>	<b>18</b>
<b>Foutcodes</b>	<b>18</b>
<b>Console</b>	<b>19</b>
<b>Programma's</b>	<b>19</b>
<b>Trainingsrichtlijnen</b>	<b>21</b>

## VEILIGHEIDSINSTRUCTIES

### ! WAARSCHUWING!

**Raadpleeg uw arts voordat u begint met trainen. Dit is in het bijzonder belangrijk voor personen met gezondheidsproblemen. Lees alle instructies alvorens het toestel gebruikt wordt. VirtuFit neemt geen verantwoordelijkheid voor geleden letsel of materiële schade door het gebruik van dit toestel. Lees deze handleiding zorgvuldig door, voordat u begint met monteren van het toestel en/of er gebruik van gaat maken.**

- Zorg ervoor dat het toestel voor gebruik correct is gemonteerd en alle bouten en moeren zorgvuldig zijn vastgedraaid.
- Smeer alle bewegende delen jaarlijks in met vaseline (zonder zuren) of siliconenspray.
- Draag geen loszittende kleding om te voorkomen dat deze in bewegende delen verstrikt raakt.
- Stel het toestel op en gebruik deze op een stevige, effen ondergrond.
- Draag altijd schone sportschoenen bij gebruik van het toestel.
- Houd kinderen en huisdieren uit de buurt van het toestel, terwijl deze in gebruik is.
- Zorg dat u evenwicht behoudt tijdens gebruik van het toestel.

- Plaats geen vingers of andere voorwerpen in de bewegende delen.
- Raadpleeg voorafgaand aan een training uw arts om de trainingsfrequentie, tijd en intensiteit vast te stellen die geschikt is voor uw leeftijd en conditie. Stop onmiddellijk met trainen in geval van misselijkheid, kortademigheid, flauwvallen, hoofdpijn, pijn, benauwdheid in de borst of enig ander ongemak.
- Houd het toestel niet vast aan de zitting bij het verplaatsen.
- Dit toestel dient door slechts één persoon tegelijk te worden gebruikt.
- Dit toestel is gemaakt voor thuisgebruik en het maximaal gebruikersgewicht bedraagt 150 kg.
- Houd 1 á 2 meter ruimte vrij achter het toestel om eventuele ongelukken te voorkomen.
- Plaats het toestel op een schone en vlakke ondergrond. Plaats het toestel niet op dik tapijt waardoor het ventilatie kan belemmeren. Plaats het toestel niet buiten of in de buurt van water.
- Het toestel is voor binnengebruik en niet voor buitengebruik. Houd de opslagplek droog, schoon en vlak om schade te voorkomen. Het is verboden om het toestel voor andere doeleinden te gebruiken dan voor de trainingen.
- Gebruik het toestel alleen in een omgeving met een omgevingstemperatuur tussen 10 °C en 35 °C. Berg het toestel alleen op bij een omgevingstemperatuur tussen 5 °C en 45 °C.

## GARANTIE

**Aanspraak op garantie is uitgesloten indien de oorzaak van het defect het gevolg is van:**

- Onderhoudsmontage en reparatiewerkzaamheden die niet door een officiële dealer zijn uitgevoerd.
- Bij ondeugdelijk gebruik, verwaarlozing en/of gebrek aan onderhoud.
- Het niet volgens de fabrieksvorschriften onderhouden van het toestel.



## MONTAGE INSTRUCTIES (STEP 01-06)

**Missende onderdelen:** Indien bepaalde onderdelen missen in de verpakking, controleer dan zorgvuldig het piepschuim en het toestel zelf. Sommige onderdelen (bouten, schroeven, etc.) zitten al bevestigd aan/in het toestel.

**Foutmelding:** Let er op dat alle kabels voorzichtig worden bevestigd. De aluminium pootjes van het console zijn zeer gevoelig en deze dienen recht te blijven. Mocht het console een foutmelding geven na de montage van het toestel dan kan het zijn dat de aluminium pootjes van het console schuin staan. Buig de aluminium pootjes weer recht, dit laat de foutmelding mogelijk verdwijnen.

**Inbusbouten:** Zorg ervoor dat de inbusleutel goed in de bout zit voordat er kracht op de sleutel wordt gezet. Op deze manier wordt voorkomen dat de kop van de inbusbout wordt dolgedraaid.

## AFSTELLEN

### Zadel afstellen (A)

Om effectief te kunnen trainen is het aan te raden om het zadel op juiste hoogte af te stellen. Tijdens het trappen dienen uw knieën licht gebogen te zijn wanneer de pedalen in de laagste stand staan.

**Volg onderstaande stappen om het zadel in verticale positie te verstellen:**

- Draai de knop van de zadelpen los en trek de knop naar u toe.
- Verschuif de zadelpen omhoog of omlaag totdat het zadel in de gewenste positie staat en laat de knop los.
- Beweeg de zadelpen licht naar boven of naar beneden om er zeker van te zijn dat de knop in één van de stelgaten zit.
- Draai de knop van de zadelpen vast.

**Volg onderstaande stappen om de horizontale positie van het zadel te verstellen:**

- Draai de knop van het zadel enkele slagen los.
- Schuif het zadel naar voren of naar achteren totdat het zadel in de gewenste positie staat.
- Draai de knop van het zadel vast.

### Stuur afstellen (B)

**Volg onderstaande stappen om de hoek van de handgrepen te verstellen:**

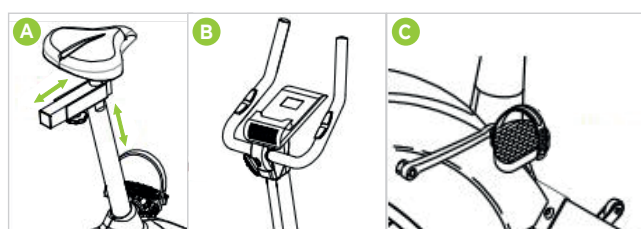
- Draai de draaiknop los.

- Kantel de handgrepen in de gewenste positie.
- Draai de draaiknop vast om de handgrepen vast te zetten.

### Voetriemen afstellen (C)

**Volg onderstaande stappen om de voetriemen te verstellen:**

- Trek het uiteinde van de voetriem los van de pedaallippen.
- Verstel de voetriem in de gewenste stand.
- Bevestig het uiteinde van de voetriem op de pedaallippen.



## TRAINEN MET HARTSLAG

### Handsensoren

Dit VirtuFit fitnessstoestel is voorzien van handsensoren voor het meten van de hartslag. De handsensoren zitten bevestigd op het handvat en werken alleen als beide sensoren voor een langere periode worden vastgehouden. Voor een optimale werking is het belangrijk dat de handen licht vochtig zijn en constante druk uitoefenen op de sensoren. Te droge of te vochtige handen kunnen zorgen voor een afwijkende meting.

**LET OP! Gebruik de handsensoren nooit in combinatie met een draadloze hartslagmeter om storing te voorkomen.**

## ONDERHOUD

*Veilig en effectief gebruik kan alleen worden bereikt als het toestel goed wordt gemonteerd en onderhouden. Het is uw verantwoordelijkheid om ervoor te zorgen dat het toestel regelmatig wordt onderhouden. Onderdelen die al zijn gebruikt en/of beschadigd, moeten worden vervangen voordat het toestel verder gebruikt wordt. Het toestel mag alleen binnen worden gebruikt en opgeborgen. Langdurige blootstelling aan verwerking en veranderingen in temperatuur/vochtigheid kunnen een ernstige impact hebben op de elektrische componenten en bewegende delen van het toestel. Haal altijd de stroomkabel van het toestel uit het stopcontact voordat het apparaat wordt schoongemaakt of onderhouden.*

## Dagelijks onderhoud

---

- Reinig en verwijder zweet en vocht na elk gebruik.
- Controleer of het toestel vrij is van stof en vuil.
- Gebruik geen agressieve schoonmaakmiddelen en zorg dat het toestel vochtvrij blijft.

## Halfjaarlijks onderhoud

---

- Inspecteer alle bouten en moeren in verband met bewegende delen van het toestel. Draai bouten en moeren vast indien nodig en zoals vereist.

### We raden aan het volgende te doen:

- Haal na elk gebruik het netsnoer uit het stopcontact, vooral als er kinderen aanwezig zijn.
- Maak het toestel na gebruik schoon.
- Gebruik een droge doek om het bedieningspaneel en gebieden rond de aan- en uitschakelaar te reinigen.
- Gebruik een zachte schone doek en reinigingsmiddel om hardnekkige vlekken en vuil op het toestel te verwijderen.
- Houd het toestel op een veilige en droge plaats en uit de buurt van warmte en water.

### LET OP!

- *Elke reparatie moet door een professionele technicus worden uitgevoerd, tenzij anders aangegeven door de leverancier of fabrikant.*

## Schoonmaak

---

Algemene reiniging van het apparaat zal de levensduur van het toestel verlengen. Houd het toestel schoon door regelmatig af te stoffen. Regelmatig onderhoud verlengt de levensduur van uw toestel en voorkomt letsel! Kijk voor meer informatie op <https://www.virtufit.nl/service/faq/>

**LET OP! Draag schone schoenen zodat de kans op vervuiling van het toestel vermindert.**

## PROBLEEMOPLOSSINGEN

---

**Display geeft geen waardes weer:** Controleer of de sensorkabels en de kabels van het console goed zijn bevestigd en onbeschadigd zijn. Mocht het probleem hierdoor niet zijn verholpen, neem contact op met de leverancier.

**Hometrainer piept:** Controleer of alle bouten en moeren stevig zijn vastgedraaid.

**Tikkend geluid bij het trappen:** Dit kan worden veroorzaakt door één van de trappers. Demonteer de trapper(s) en monteer de trapper(s) op de juiste manier aan het toestel. Draai de trapper(s) stevig aan. Mocht het probleem hierdoor niet zijn verholpen, neem contact op met de leverancier.

**LET OP! Pedaal "R" (rechts) dient te worden gemonteerd met de klok mee en pedaal "L" (links) dient te worden gemonteerd tegen de klok in.**

**Handsensoren werken niet naar behoren:** Was je handen, droog goed af en test de handsensoren opnieuw. Mocht het probleem hierdoor niet zijn verholpen, controleer of de kabels van het handvat onbeschadigd zijn en goed zijn verbonden met de aansluiting. Mocht het probleem hierdoor nog steeds niet zijn verholpen, vervang het handvat.

**Het console werkt niet:** Wanneer er geen signaal is wanneer u trapt, controleer of de kabel goed is aangesloten.

## FOUTCODES

---

### E1:

- **De motor werkt niet (motorische problemen)**  
**Oplossing:** Dit probleem kan komen doordat de motor moeite heeft om de weerstand aan te passen, waardoor er een tikkend geluid uit de motor komt. Wanneer dit gebeurt, is de motor mogelijk beschadigd door een storing. Mocht het probleem hierdoor niet zijn verholpen, neem contact op met de leverancier
- **Er is iets mis met de kabels**  
**Oplossing:** Controleer of de kabels onbeschadigd zijn of kortsluiting kunnen veroorzaken.
- **Er is iets mis met het console**  
**Oplossing:** Vervang het console.

### E2:

- **Er is iets mis met de kabels**  
**Oplossing:** Controleer of de kabels onbeschadigd zijn of kortsluiting kunnen veroorzaken.
- **Er is iets mis met het console:**  
**Oplossing:** Vervang het console.
- **Er is iets mis met de motor:**  
**Oplossing:** Vervang de motor.

### E3: Er is iets mis met de kabels.

- **Oplossing:** Controleer of de kabels onbeschadigd zijn of kortsluiting kunnen veroorzaken.

### E4: Bij het analyseren van het lichaamsvet hebben de eerste 8 seconden geen hartdetectie.

- **Oplossing:** Was je handen, droog goed af en test de handsensoren opnieuw. Houd met beide handen de handgrepen goed en stevig vast.

## CONSOLE (FIG. A)



- **START/STOP**
  - START/STOP de training.
  - Lichaamsvet programma starten.
  - Houd ingedrukt om alle functiewaarden te resetten (werkt alleen in de stopmodus).
- **MIN (-):** Druk op de "-" toets om de waarde van de geselecteerde functie te verlagen. Druk tijdens een training op de "-" toets om de weerstand te verlagen.
- **PLUS (+):** Druk op de "+" toets om de waarde van de geselecteerde functie te verhogen. Druk tijdens een training op de "+" toets om de weerstand te verhogen.
- **ENTER:** Om de gewenste modus te selecteren of gewenste waarde te bevestigen.
- **RECOVERY:** Druk tijdens de training op de "RECOVERY" toets wanneer de hartslagwaarde wordt weergegeven om de hartslag herstelfunctie te starten. F1 is het lichtst en F6 is het zwaarst.
- **MODE:** Druk op de toets "MODE" om tijdens de training tussen verschillende functies en waarden te schakelen.

## Functies

- **TIME:** De totale tijd van de training wordt weergegeven.
- **SPEED:** De snelheid tijdens de training wordt weergegeven.
- **DISTANCE:** De afgelegde afstand wordt weergegeven.
- **CALORIES:** Het totaal aan verbrande calorieën tijdens de training wordt weergegeven.

- **PULSE:** Bij gebruik van de hartslagsensoren wordt tijdens de training uw hartslag weergegeven.

## PROGRAMMA'S

### Handmatig programma

**P1:** Kies "MANUAL" met '+' of '-' toets en druk op de "ENTER" toets. De functie "TIME" zal knipperen, zodat de waarde kan worden ingesteld met de '+' of '-' toets. Druk op de "ENTER" toets om de waarde op te slaan en ga naar de volgende functie die u in wilt stellen. Ga door met alle gewenste gegevens en druk op "START/STOP" om de training te starten. Indien u een waarde invoert zal deze aftellen tijdens de training. Laat u deze leeg dan zullen de gegevens optellen tot u de training stopt.

**LET OP!** Eén van de ingestelde waarden telt terug naar nul (0), het console zal dan een geluid maken en de training zal automatisch stoppen. Druk op de "START" toets om de training voort te zetten.

### Voorgeprogrammeerde programma's

**P2 - P14** Er zijn 10 voorgeprogrammeerde programma's die klaar zijn voor gebruik. Alle programma's hebben 24 weerstandsniveaus. Om een programma te selecteren, kies één van de voorgeprogrammeerde programma's met de '+' of '-' toets en druk op "ENTER". Eerst zal de functie "TIME" gaan knipperen zodat deze ingesteld kan worden met de '+' of '-' toets. Druk op de "ENTER" toets om de waarde op te slaan en ga naar de volgende functie die u wilt instellen. Ga door met alle gewenste gegevens en druk op "START/STOP" om de training te starten. Indien u een waarde invoert zal deze aftellen tijdens de training. Laat u deze leeg dan zullen de gegevens optellen tot u de training stopt.

**LET OP!** Eén van de ingestelde waarden telt terug naar nul (0), het console zal dan een geluid maken en de training zal automatisch stoppen. Druk op de "START" toets om de training voort te zetten.

### Wattage programma

**P15** Kies "WATT CONTROL PROGRAM" met de '+' of '-' toets en druk op "ENTER". Eerst zal de functie "TIME" gaan knipperen zodat deze ingesteld kan worden met de '+' of '-' toets. Druk op de "ENTER" toets om de waarde op te slaan en ga naar de volgende functie die u wilt instellen. Ga door met alle gewenste gegevens en druk op "START/STOP" om de training te starten. Indien u een waarde invoert zal deze aftellen tijdens de training. Laat u deze leeg dan zullen de gegevens

optellen tot u de training stopt.

**LET OP!** Eén van de ingestelde waarden telt terug naar nul (0), het console zal dan een geluid maken en de training zal automatisch stoppen. Druk op de "START" toets om de training voort te zetten. Het console past de weerstand automatisch aan, afhankelijk van de snelheid, om de constante wattage waarde te behouden. Gebruik de '+' toets gebruiken om de wattage waarde tijdens het trainen aan te passen.

## Lichaamsvet programma

**P16** Kies "BODY FAT PROGRAM" met de '+' of '-' toets en druk op "ENTER". "MALE" zal knippen, zodat het geslacht kan worden aangepast met de '+' of '-' toets, druk op "ENTER" om de gegevens op te slaan en naar de volgende te gaan. "175" voor de hoogte (lengte) zal knippen. De hoogte kan worden aangepast met de '+' of '-' toets en druk op "ENTER" om de gegevens op te slaan en naar de volgende te gaan. "75" voor het gewicht zal knippen, deze kan worden aangepast met de '+' of '-' toets en druk vervolgens op "ENTER" om de gegevens op te slaan en naar de volgende te gaan. "30" voor de leeftijd zal knippen, deze kan worden aangepast met de '+' of '-' toets en druk vervolgens op "ENTER" om de gegevens op te slaan. Druk vervolgens op "START/STOP" om uw lichaamsvet te berekenen. Zorg ervoor dat u tevens de hartslagsensoren vast houdt om uw hartslag te meten. Na 15 seconden geeft het display lichaamsvet in %, BMR, BMI en profieltype weer.

**LET OP!** Er zijn 9 profieltypes volgens het berekende percentage vet (FAT%).

TYPE 1	Gaat van 5 tot 9%
TYPE 2	Gaat van 10 tot 14%
TYPE 3	Gaat van 15 tot 19%
TYPE 4	Gaat van 20 tot 24%
TYPE 5	Gaat van 25 tot 29%
TYPE 6	Gaat van 30 tot 34%
TYPE 7	Gaat van 35 tot 39%
TYPE 8	Gaat van 40 tot 44%
TYPE 9	Gaat van 45 tot 49%

**BMR:** Basal Metabolism Ratio (metabolisme)

**BMI:** Body Mass Index

**LET OP!** Druk op de toets "START/STOP" om terug te keren naar het hoofddisplay.

## Hartslagdoel programma

**P17** Selecteer "TARGET H.R." met de '+' of '-' toets en druk vervolgens op "ENTER". De eerste functie "TIME" zal knippen zodat de tijd kan worden ingesteld met de '+' of '-' toets. Druk op de "ENTER" toets om de waarde op te slaan en ga naar de volgende functie die u wilt instellen. Ga vervolgens zo door met het instellen van alle gewenste gegevens en druk op de "START/STOP" toets om de training te starten. Indien u een waarde invoert zal deze aftellen tijdens de training. Laat u deze leeg dan zullen de gegevens optellen tot u de training stopt.

**LET OP!** Als de hartslag boven of onder de doelhartslag ( $\pm 5$ ) is, zal de hometrainer automatisch de weerstand aanpassen. Het zal circa 10 seconden duren voordat de weerstand zal toenemen of afnemen. Eén van de ingestelde waarden telt terug naar nul (0), het console zal dan een geluid maken en de training zal automatisch stoppen. Druk op de "START" toets om de training voort te zetten.

## Doel

**P18 - P20** Elk programma komt overeen met een specifiek doel:

**P18-60% TARGET H.R** 60% van (220-leeftijd)

**P19-75% TARGET H.R** 75% van (220-leeftijd)

**P20-85% TARGET H.R** 85% van (220-leeftijd)

Kies een hartslaggestuurd programma met de '+' of '-' toets en selecteer deze met de "ENTER" toets. De eerste functie "TIME" zal knippen zodat de tijd met behulp van de '+' of '-' toets ingesteld kan worden. Druk op de "ENTER" toets om de waarde op te slaan en ga naar de volgende functie die u in wilt stellen. Ga zo door met alle gewenste gegevens en druk vervolgens op de "START/STOP" knop om de training te starten. Indien u een waarde invoert zal deze aftellen tijdens de training. Laat u deze leeg dan zullen de gegevens optellen tot u de training stopt.

**LET OP!** Als de hartslag boven of onder de doelhartslag ( $\pm 5$ ) is, zal de hometrainer automatisch de weerstand aanpassen. Het zal circa 10 seconden duren voordat de weerstand zal toenemen of afnemen. Eén van de ingestelde waarden telt terug naar nul (0), het console zal dan een geluid maken en de training zal automatisch stoppen. Druk op de "START" toets om de training voort te zetten. Er zijn vier gebruikersprogramma's die als U1 tot U4 geselecteerd kan worden. Een gebruikersprogramma stelt de gebruiker in staat om een eigen programma samen te stellen die meteen kan worden gebruikt. Indien u een waarde invoert zal deze aftellen tijdens de training. Laat u deze leeg dan zullen de gegevens optellen tot u de training stopt.

## Gebruikersprogramma's

---

**P21 - P24** Selecteer een gebruikersprogramma met de '+' of '-' toets en druk op "ENTER". De eerste functie "TIME" zal knipperen zodat de tijd met behulp van de '+' of '-' toets ingesteld kan worden. Druk op de "ENTER" toets om de waarde op te slaan en ga naar de volgende functie die u in wilt stellen. Ga zo door met alle gewenste gegevens. Nadat deze zijn ingesteld, zal niveau 1 knipperen. Gebruik de '+' of '-' toets om het niveau aan te passen en druk op "ENTER" om naar de volgende kolom te gaan. Doe hetzelfde voor de andere kolommen zodat je uiteindelijk door alle 10 de kolommen heen bent. Druk vervolgens op de "START/STOP" knop om de training te starten. Indien u een waarde invoert zal deze aftellen tijdens de training. Laat u deze leeg dan zullen de gegevens optellen tot u de training stopt.

**LET OP!** *Eén van de trainingsgegevens telt terug naar nul (0), het zal dan een geluid maken en de training zal automatisch stoppen. Druk op de "START" toets om de training voort te zetten.*

## TRAININGSRICHTLIJNEN (FIG. B, 1-5)

---

Een succesvol trainingsprogramma bestaat uit een warming-up, de training zelf en een cooling down. Voer de hele training minstens twee, maar bij voorkeur drie keer per week uit en houdt één dag rust tussen de trainingen. Na enkele maanden kan de trainingsintensiteit worden verhoogd tot bijvoorbeeld vier of vijf keer per week.

### Warming-up

---

Het doel van een warming-up is dat het lichaam voorbereid wordt op een training en het vermindert de kans op blessures. Warm het lichaam op in twee tot vijf minuten voordat er met een cardio- of krachttraining begonnen wordt. Doe oefeningen die de hartslag verhogen en de

werkende spieren opwarmen. Voorbeelden van dit soort activiteiten zijn: vlot lopen, joggen, jumping jacks, touwtje springen en rennen op de plaats.

### Stretchen

---

Stretchen terwijl spieren warm zijn, is zeer belangrijk na een goede warming-up en cooling-down. Het vermindert de kans op blessures. Stretchoefeningen dienen gedurende 15 tot 30 seconden worden vastgehouden. Voorbeelden van stretchoefeningen zijn:

- Toe touch (Fig. B-1)
- Inner thigh stretch (Fig. B-2)

- Hamstring stretch (Fig. B-3)
- Achilles stretch (Fig. B-4)
- Side stretch (Fig. B-5)

### Cooling-down

---

Het doel van de cooling-down is het lichaam aan het einde van de training terug te brengen naar de (bijna) normale ruststand. Een goede cooling-down vermindert langzaam uw hartslag en bevordert het herstel.

## INHALTE

---

Sicherheitshinweise	22
Bürgerschaft	22
Anweisungen zum Einbau	23
Einstellen	23
Herzfrequenz-Training	23
Wartung	23
Fehlersuche	24
Fehlercodes	24
Konsole	25
Programme	25
Trainingsrichtlinien	27

## SICHERHEITSHINWEISE

---

### ! WARNUNG!

**Konsultieren Sie Ihren Arzt, bevor Sie mit dem Training beginnen. Dies ist besonders wichtig für Menschen mit gesundheitlichen Problemen. Bitte lesen Sie alle Anweisungen, bevor Sie das Gerät benutzen. VirtuFit übernimmt keine Verantwortung für Verletzungen oder Sachschäden, die durch die Verwendung dieses Geräts entstehen. Bitte lesen Sie diese Anleitung sorgfältig durch, bevor Sie das Gerät zusammenbauen und/oder benutzen.**

- Vergewissern Sie sich, dass das Gerät richtig zusammengebaut ist und dass alle Schrauben und Muttern fest angezogen sind, bevor Sie es benutzen.
- Schmieren Sie alle beweglichen Teile jährlich mit Vaseline (säurefrei) oder Silikonspray.
- Tragen Sie keine weite Kleidung, um zu vermeiden, dass Sie sich in beweglichen Teilen verfangen.
- Stellen Sie das Gerät auf einer festen, ebenen Fläche auf und benutzen Sie es.
- Tragen Sie immer saubere Sportschuhe, wenn Sie das Gerät benutzen.
- Halten Sie Kinder und Haustiere von dem Gerät fern, wenn Sie es benutzen.
- Achten Sie bei der Benutzung des Geräts auf Ihr Gleichgewicht.
- Stecken Sie Ihre Finger oder andere Gegenstände nicht in die beweglichen Teile.

- Konsultieren Sie vor dem Training Ihren Arzt, um die für Ihr Alter und Ihre körperliche Verfassung angemessene Häufigkeit, Dauer und Intensität des Trainings zu bestimmen. Brechen Sie das Training sofort ab, wenn Sie Übelkeit, Kurzatmigkeit, Ohnmacht, Kopfschmerzen, Brustschmerzen, Engegefühl oder andere Beschwerden verspüren.
- Halten Sie das Gerät nicht am Sitz fest, wenn Sie sich bewegen.
- Dieses Gerät darf nur von einer Person gleichzeitig benutzt werden.
- Das Gerät ist für den Hausgebrauch konzipiert und das maximale Benutzergewicht beträgt 150 kg.
- Lassen Sie hinter der Maschine 1-2 Meter Platz, um Unfälle zu vermeiden.
- Stellen Sie das Gerät auf eine saubere, ebene Fläche. Stellen Sie das Gerät nicht auf einen dicken Teppich, da dies die Belüftung des Geräts behindern kann. Stellen Sie das Gerät nicht im Freien oder in der Nähe von Wasser auf.
- Halten Sie den Aufbewahrungsort trocken, sauber und eben, um Schäden zu vermeiden. Verwenden Sie das Gerät nicht für andere Zwecke als zum Training.
- Verwenden Sie das Gerät nur in einer Umgebung, in der die Umgebungstemperatur zwischen 10°C und 35°C liegt. Lagern Sie das Gerät nur in einer Umgebung, in der die Temperatur zwischen 5°C und 45°C liegt.

## BÜRGSCHAFT

---

**Gewährleistungsansprüche sind ausgeschlossen, wenn die Ursache des Mangels die Folge ist von:**

- Wartungs- und Reparaturarbeiten, die nicht von einem Vertragshändler durchgeführt wurden.
- Unsachgemäßer Gebrauch, Nachlässigkeit und/oder schlechte Wartung.
- Wenn das Gerät nicht gemäß den Anweisungen des Herstellers gewartet wurde.

## MONTAGEANLEITUNG (STEP 01-06)

**Fehlende Teile:** Sollten Teile in der Verpackung fehlen, überprüfen Sie bitte sorgfältig den Styroporschaum und das Gerät selbst. Einige Teile (Bolzen, Schrauben, usw.) sind bereits am Gerät angebracht.

**Fehlermeldung:** Vergewissern Sie sich, dass alle Kabel sorgfältig angebracht sind. Die Aluminiumfüße der Konsole sind sehr empfindlich und müssen gerade gehalten werden. Wenn die Konsole eine Fehlermeldung ausgibt, nachdem das Gerät montiert wurde, sind die Aluminiumfüße der Konsole möglicherweise verbogen. Das Richten der Aluminiumfüße kann dazu führen, dass die Fehlermeldung verschwindet.

**Sechskant-Schrauben:** Achten Sie darauf, dass der Sechskantschlüssel in die Schraube gedrückt wird, bevor Sie Kraft anwenden. Dadurch wird verhindert, dass sich der Kopf der Innensechskantschraube dreht.

## EINSTELLUNG

### Einstellen des Sattels (A)

Um effektiv trainieren zu können, ist es ratsam, den Sattel auf die richtige Höhe einzustellen. Wenn Sie in die Pedale treten, sollten Ihre Knie leicht gebeugt sein, wenn sich die Pedale in der unteren Position befinden.

**Um den Sattel in die vertikale Position zu bringen, gehen Sie wie folgt vor:**

- Lösen Sie den Knopf an der Sattelstütze und ziehen Sie den Knopf zu sich hin.
- Bewegen Sie die Sattelstütze nach oben oder unten, bis sich der Sattel in der gewünschten Position befindet, und lassen Sie den Knopf los.
- Bewegen Sie die Sattelstütze leicht nach oben oder unten, um sicherzustellen, dass sich der Knopf in einem der Einstelllöcher befindet.
- Ziehen Sie den Drehknopf an der Sattelstütze fest.

**Führen Sie die folgenden Schritte aus, um die horizontale position des Sattels einzustellen:**

- Lösen Sie den Sattelknopf ein paar Umdrehungen.
- Schieben Sie den Sattel nach vorne oder hinten, bis er sich in der gewünschten Position befindet.
- Ziehen Sie den Sattelknopf fest.

### Einstellen des Lenkers (B)

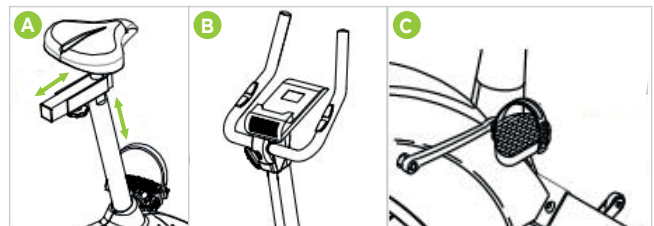
**Um den Lenkerwinkel einzustellen, gehen Sie wie folgt vor:**

- Lösen Sie den Drehknopf.
- Neigen Sie die Griffe in die gewünschte Position.
- Ziehen Sie den Knopf fest, um die Griffe zu sichern.

### Einstellen der Fußschlaufen (C)

**Um die Fußschlaufen einzustellen, gehen Sie wie folgt vor:**

- Entfernen Sie das Ende des Fußriemens von den Lippen des Pedals.
- Stellen Sie die Fußstütze in die gewünschte Position.
- Befestigen Sie das Ende des Fußriemens an den Laschen des Pedals.



## TRAINING MIT HERZFREQUENZ

### Handsensoren

Dieses VirtuFit Fitnessgerät ist mit Handsensoren zur Messung der Herzfrequenz ausgestattet. Die Handsensoren sind am Handgriff

befestigt und funktionieren nur, wenn beide Sensoren über einen längeren Zeitraum gehalten werden. Für eine optimale Leistung ist es wichtig, dass die Hände leicht feucht sind und einen konstanten Druck auf die Sensoren ausüben. Zu trockene oder zu nasse Hände können zu abnormalen Messwerten führen.

**VORSICHT!** Verwenden Sie die Handsensoren niemals in Kombination mit einem drahtlosen Gerät, um Interferenzen zu vermeiden.

## WARTUNG

*Eine sichere und effiziente Nutzung kann nur erreicht werden, wenn das Gerät ordnungsgemäß installiert und gewartet wird. Es liegt in Ihrer Verantwortung, dafür zu sorgen, dass das Gerät regelmäßig gewartet wird. Benutzte und/oder beschädigte Teile müssen ersetzt*

werden, bevor das Gerät wieder benutzt wird. Das Gerät sollte nur in Innenräumen verwendet und gelagert werden. Wenn das Gerät über einen längeren Zeitraum hinweg Witterungseinflüssen sowie Temperatur- und Feuchtigkeitsschwankungen ausgesetzt ist, kann dies schwerwiegende Auswirkungen auf die elektrischen Komponenten und beweglichen Teile des Geräts haben. Ziehen Sie immer den Netzstecker aus dem Gerät, bevor Sie es reinigen oder warten.

### Tägliche Wartung

- Reinigen Sie das Gerät nach jedem Gebrauch und entfernen Sie Schweiß und Feuchtigkeit.
- Prüfen Sie, ob das Gerät frei von Staub und Schmutz ist.
- Verwenden Sie keine aggressiven Reinigungsmittel und halten Sie das Gerät von Feuchtigkeit fern.

### Halbjährliche Wartung

- Überprüfen Sie alle Schrauben und Muttern, die mit den beweglichen Teilen des Geräts verbunden sind. Ziehen Sie die Schrauben und Muttern nach Bedarf und Bedarf an.

### Wir empfehlen Folgendes:

- Ziehen Sie nach jedem Gebrauch den Netzstecker, insbesondere wenn Kinder anwesend sind.
- Reinigen Sie das Gerät nach dem Gebrauch.
- Verwenden Sie ein trockenes Tuch, um das Bedienfeld und die Bereiche um den Ein-/Ausschalter zu reinigen.
- Verwenden Sie ein weiches, sauberes Tuch und Reinigungsmittel, um hartnäckige Flecken und Schmutz vom Gerät zu entfernen.
- Bewahren Sie das Gerät an einem sicheren, trockenen Ort auf, der vor Hitze und Wasser geschützt ist.

### VORSICHT!

- *Reparaturen müssen von einem professionellen Techniker durchgeführt werden, es sei denn, der Lieferant oder Hersteller schreibt etwas anderes vor.*

### Reinigung

Eine allgemeine Reinigung des Geräts verlängert dessen Lebensdauer. Halten Sie das Gerät sauber, indem Sie es regelmäßig abstauben. Eine regelmäßige Wartung verlängert die Lebensdauer Ihres Geräts und beugt Verletzungen vor! Für weitere Informationen besuchen Sie bitte <https://www.virtufit.nl/service/faq/>

**VORSICHT!** Tragen Sie saubere Schuhe, um das Risiko einer Verschmutzung des Geräts zu verringern. Nehmen Sie mindestens einmal im Jahr die Abdeckung ab, um den Staub zu entfernen.

### FEHLERSUCHE

**Das Display zeigt keine Werte an:** Prüfen Sie, ob die Kabel des Sensors und der Konsole richtig angeschlossen und unbeschädigt sind. Wenn das Problem dadurch nicht behoben wird, wenden Sie sich an den Lieferanten.

**Der Heimtrainer quietscht:** Prüfen Sie, ob alle Schrauben und Muttern fest angezogen sind. Tragen Sie ggf. Silikonspray auf.

**Tickendes Geräusch beim Treten:** Dies kann von einem der Pedale verursacht werden. Entfernen Sie das/die Pedal(e) und montieren Sie es/sie korrekt auf dem Gerät. Ziehen Sie das/die Pedal(e) fest an. Wenn das Problem dadurch nicht behoben wird, wenden Sie sich an den Lieferanten.

**HINWEIS!** Das "R"-Pedal (rechts) muss im Uhrzeigersinn und das "L"-Pedal (links) muss gegen den Uhrzeigersinn montiert werden.

**Die Handsensoren funktionieren nicht richtig:** Waschen Sie Ihre Hände, trocknen Sie sie gut ab und testen Sie die Handsensoren erneut. Wenn dies das Problem nicht behebt, überprüfen Sie die Lenkerkabel auf Beschädigungen und stellen Sie sicher, dass sie richtig mit dem Stecker verbunden sind. Wenn das Problem dadurch immer noch nicht behoben ist, tauschen Sie den Lenker aus.

**Die Konsole funktioniert nicht:** Wenn beim Treten der Pedale kein Signal anliegt, prüfen Sie, ob das Kabel richtig angeschlossen ist.

### FEHLERCODES

#### EI:

- **Der Motor funktioniert nicht (Motorprobleme)**

**Lösung:** Dieses Problem kann dadurch verursacht werden, dass der Motor Schwierigkeiten hat, seinen Widerstand einzustellen, was zu einem lauten Motorgeräusch führt. Wenn dies der Fall ist, kann der Motor möglicherweise durch eine Fehlfunktion beschädigt. Wenn das Problem dadurch nicht behoben wird, wenden Sie sich an den Lieferanten.

- **Es gibt ein Problem mit den Kabeln**

**Lösung:** Überprüfen Sie, dass die Kabel nicht beschädigt sind oder einen Kurzschluss verursachen können.

- **Die Konsole hat ein Problem.**



**Lösung:** Tauschen Sie die Konsole aus.

## E2:

- **Ein Problem mit den Kabeln**

**Lösung:** Stellen Sie sicher, dass die Kabel nicht beschädigt sind oder einen Kurzschluss verursachen können.

- **Es liegt ein Problem mit der Konsole vor:**

**Lösung:** Tauschen Sie die Konsole aus.

- **Es liegt ein Problem mit dem Motor vor:**

**Lösung:** Tauschen Sie den Motor aus.

## E3: Es liegt ein Problem mit den Kabeln vor.

- **Lösung:** Stellen Sie sicher, dass die Kabel nicht beschädigt sind oder einen Kurzschluss haben.

## E4: Während der Körperfettanalyse wird in den ersten 8 Sekunden das Herz nicht erkannt.

- **Lösung:** Waschen Sie Ihre Hände, trocknen Sie sie gut ab und testen Sie die Handsensoren erneut. Halten Sie die Griffe mit beiden Händen fest.

## CONSOLE (FIG. A)



- **START/STOP**

- START/STOP - Startet/stoppt das Training.
- Starten Sie das Körperfettmanagementprogramm.
- Drücken und halten Sie die Taste, um alle Funktionswerte zurückzusetzen (funktioniert nur im Stoppmodus).

- **MIN (-):** Drücken Sie die "-"-Taste, um den Wert der ausgewählten Funktion zu verringern. Drücken Sie während eines Trainings die Taste "-", um den Widerstand zu verringern.

- **PLUS (+):** Drücken Sie die Taste "+", um den Wert der gewählten Funktion zu erhöhen. Drücken Sie während des Trainings die "+"-Taste, um den Widerstand zu erhöhen.

- **ENTER:** Zur Auswahl des gewünschten Modus oder zur Bestätigung des gewünschten Wertes.

- **RECOVERY:** Drücken Sie die "RECOVERY"-Taste während des Trainings, wenn der Herzfrequenzwert angezeigt wird, um die Herzfrequenz-Erholungsfunktion zu starten. FI ist der leichteste

und F6 der schwerste Wert.

- **MODE:** Drücken Sie die Taste "MODE", um während des Trainings zwischen verschiedenen Funktionen und Werten umzuschalten.

## Functies

- **TIME:** Die Gesamtdauer des Trainings wird angezeigt.
- **SPEED:** Die Geschwindigkeit des Trainings wird angezeigt.
- **DISTANCE:** Zeigt die zurückgelegte Strecke an.
- **CALORIES:** Zeigt die Gesamtzahl der während des Trainings verbrannten Kalorien an.
- **PULSE:** Wenn Sie die Herzfrequenzsensoren verwenden, wird Ihre Herzfrequenz während des Trainings angezeigt.

## PROGRAMME

### Manuelles Programm

**P1:** Wählen Sie "MANUELL" mit der '+' oder '-' Taste und drücken Sie die "ENTER" Taste. Die Funktion "TIME" blinkt, so dass der Wert mit der Taste "+" oder "-" angepasst werden kann. Drücken Sie die Taste "ENTER", um den Wert zu speichern und zur nächsten einzustellenden Funktion zu gelangen. Fahren Sie mit allen gewünschten Daten fort und drücken Sie "START/STOP", um das Training zu starten. Wenn Sie einen Wert eingeben, wird dieser während des Trainings heruntergezählt. Wenn Sie keinen Wert eingeben, werden die Daten aufaddiert, bis Sie das Training beenden.

**HINWEIS!** Wenn einer der eingestellten Werte auf Null (0) heruntergezählt, gibt die Konsole einen Piepton ab und das Training wird automatisch gestoppt. Drücken Sie die Taste "START", um Ihr Training fortzusetzen.

### Voreingestellte Programme

**P2 - P14** Es gibt 10 vorprogrammierte Programme, die Sie sofort verwenden können. Alle Programme haben 24 Widerstandsstufen. Um ein Programm auszuwählen, benutzen Sie die '+' oder '-' Taste, um eines der voreingestellten Programme auszuwählen und drücken Sie 'ENTER'. Zunächst blinkt die Funktion "TIME", so dass Sie diese mit den Tasten "+" oder "-" einstellen können. Drücken Sie "ENTER", um den Wert zu speichern und mit der nächsten einzustellenden Funktion fortzufahren. Fahren Sie mit allen gewünschten Daten fort und drücken Sie "START/STOP", um das Training zu starten. Wenn Sie einen Wert eingeben, wird dieser während des Trainings heruntergezählt. Wenn Sie keinen Wert eingeben, werden die Daten aufaddiert, bis Sie

das Training beenden.

**HINWEIS!** Jeder der eingestellten Werte wird auf Null (0) heruntergezählt, die Konsole gibt einen Piepton ab und das Training wird automatisch beendet. Drücken Sie die START-Taste, um Ihr Training fortzusetzen..

### Programm in Watt

**P15** Wählen Sie "POWER CONTROL PROGRAM" mit der '+' oder '-' Taste und drücken Sie "ENTER". Zunächst blinkt die Funktion "ZEIT", damit Sie sie mit der Taste "+" oder "-" einstellen können. Drücken Sie "ENTER", um den Wert zu speichern und mit der nächsten einzustellenden Funktion fortzufahren. Fahren Sie mit allen gewünschten Daten fort und drücken Sie "START/ STOP", um das Training zu starten. Wenn Sie einen Wert eingeben, wird dieser während des Trainings heruntergezählt. Wenn Sie keinen Wert eingeben, werden die Daten aufaddiert, bis Sie das Training beenden.

**HINWEIS!** Wenn einer der eingestellten Werte auf Null (0) herunterzählt, gibt die Konsole einen Piepton aus und das Training wird automatisch beendet. Drücken Sie die START-Taste, um Ihr Training fortzusetzen. Die Konsole passt den Widerstand automatisch an die Geschwindigkeit an, um einen konstanten Wattwert zu erhalten. Verwenden Sie die Taste "-", um die Leistung während des Trainings anzupassen.

### Körperfettprogramm

**P16** Wählen Sie "KÖRPERFETTPROGRAMM" mit der '+' oder '-' Taste und drücken Sie 'ENTER'. MALE" blinkt, das Geschlecht kann mit der '+-' oder '-'-Taste eingestellt werden, drücken Sie "ENTER", um die Daten zu speichern und gehen Sie zum nächsten Punkt. "175" für die Höhe (Länge) blinkt. Die Größe kann mit den Tasten "+" oder "-" eingestellt werden. Drücken Sie "ENTER", um die Daten zu speichern und zum nächsten Punkt zu gehen. 75" für das Gewicht blinkt, es kann mit den Tasten "+" oder "-" eingestellt werden, drücken Sie "ENTER", um die Daten zu speichern und zum nächsten zu gehen. 30" für das Alter blinkt, es kann mit der '+' oder '-' Taste eingestellt werden, dann drücken Sie 'ENTER', um die Daten zu speichern. Drücken Sie dann 'START/STOP', um Ihren Körperfettanteil zu berechnen. Achten Sie darauf, dass Sie auch die Herzfrequenzsensoren gedrückt halten, um Ihre Herzfrequenz zu messen. Nach 15 Sekunden werden auf dem Display der Körperfettanteil, der BMR, der BMI und der Profiltyp angezeigt.

**HINWEIS!** Es gibt 9 Profiltypen, die auf dem berechneten Fettanteil (FAT%) basieren

TYPE 1	Reicht von 5 bis 9%
TYPE 2	Reicht von 10 bis 14%
TYPE 3	Reicht von 15 bis 19%
TYPE 4	Reicht von 20 bis 24%
TYPE 5	Reicht von 25 bis 29%
TYPE 6	Reicht von 30 bis 34%
TYPE 7	Reicht von 35 bis 39%
TYPE 8	Reicht von 40 bis 44%
TYPE 9	Reicht von 45 bis 49%

**BMR:** Grundumsatz-Verhältnis

**BMI:** Body-Mass-Index

**HINWEIS!** Drücken Sie die Taste START/STOP, um zur Hauptanzeige zurückzukehren.

### Herzfrequenz-Zielprogramm

**P17** Wählen Sie "TARGET H.R." mit der '+' oder '-' Taste und drücken Sie "ENTER". Die erste Funktion "TIME" blinkt, damit die Zeit mit der Taste "+" oder "-" eingestellt werden kann. Drücken Sie "ENTER", um den Wert zu speichern und zur nächsten einzustellenden Funktion zu gelangen. Fahren Sie mit der Einstellung aller gewünschten Daten fort und drücken Sie die "START/STOP"-Taste, um das Training zu starten. Wenn Sie einen Wert eingeben, wird dieser während des Trainings heruntergezählt. Wenn Sie den Wert nicht eingeben, werden die Daten aufaddiert, bis Sie das Training beenden.

**HINWEIS!** Wenn die Herzfrequenz über oder unter der Zielherzfrequenz ( $\pm 5$ ) liegt, passt der Heimtrainer den Widerstand automatisch an. Es dauert etwa 10 Sekunden, bis sich der Widerstand erhöht oder verringert. Wenn einer der eingestellten Werte auf Null (0) herunterzählt, gibt die Konsole einen Signalton aus, und das Training wird automatisch beendet. Drücken Sie die Taste "START", um Ihr Training fortzusetzen.

### Ziel

**P18 - P20 Jedes Programm hat ein bestimmtes Ziel:**

**P18-60% H.R TARGET** 60% von (220-alter)

**P19-75% H.R TARGET** 75% von (220-alter)

**P20-85% H.R TARGET** 85% von (220-alter)

Wählen Sie ein Herzfrequenzprogramm mit der Taste "+" oder "-" und

bestätigen Sie es mit der Taste "ENTER". Die erste Funktion "TIME" blinkt, damit Sie mit der Taste "+" oder "-" die Zeit einstellen können. Drücken Sie die Taste "ENTER", um den Wert zu speichern und zur nächsten einzustellenden Funktion zu gelangen. Fahren Sie auf diese Weise mit allen gewünschten Daten fort und drücken Sie dann die Taste "START/STOP", um das Training zu starten. Wenn Sie einen Wert eingeben, wird dieser während des Trainings heruntergezählt. Wenn Sie den Wert nicht eingeben, werden die Daten aufaddiert, bis Sie das Training beenden.

**HINWEIS!** Wenn die Herzfrequenz über oder unter der Zielherzfrequenz ( $\pm 5$ ) liegt, passt der Heimtrainer den Widerstand automatisch an. Es dauert etwa 10 Sekunden, bis sich der Widerstand erhöht oder verringert. Wenn einer der eingestellten Werte auf Null (0) herunterzählt, gibt die Konsole einen Piepton aus, und das Training wird automatisch beendet. Es gibt vier Benutzerprogramme, die von U1 bis U4 ausgewählt werden können. Mit einem Benutzerprogramm kann der Benutzer sein eigenes Programm erstellen, das sofort verwendet werden kann. Wenn Sie einen Wert eingeben, wird dieser während des Trainings heruntergezählt. Wenn Sie das Feld leer lassen, werden die Daten aufaddiert, bis Sie das Training beenden.

### Benutzerprogramme

**P21 - P24** Wählen Sie mit den Tasten "+" oder "-" ein Benutzerprogramm aus und drücken Sie "ENTER". Die erste Funktion "ZEIT" blinkt, damit Sie die Zeit mit der Taste "+" oder "-" einstellen können. Drücken Sie "ENTER", um den Wert zu speichern und zur nächsten einzustellenden Funktion zu gelangen. Fahren Sie auf diese Weise mit allen gewünschten Daten fort. Nach der Einstellung blinkt die Ebene 1. Stellen Sie mit der Taste "+" oder "-" die Stufe ein und drücken Sie "ENTER", um zur nächsten Spalte zu gelangen. Machen Sie das Gleiche für die anderen Spalten, so dass Sie alle 10 Spalten durchlaufen. Drücken Sie dann die Taste "START/STOP", um das Training zu starten. Wenn Sie einen Wert eingeben, wird dieser während des Trainings heruntergezählt. Wenn Sie keinen Wert eingeben, werden die Daten aufaddiert, bis Sie das Training beenden.

**HINWEIS!** Wenn einer der Trainingsdaten auf Null (0) herunterzählt, ertönt ein Ton, und das Training wird automatisch beendet. Drücken Sie die "START"-Taste, um Ihr Training fortzusetzen.

### TRAININGSRICHTLINIEN (FIG. B, 1-5)

Ein erfolgreiches Trainingsprogramm umfasst ein Aufwärmprogramm, das eigentliche Training und ein Abkühlungsprogramm. Führen Sie

das komplette Trainingsprogramm mindestens zweimal, besser jedoch dreimal pro Woche durch und halten Sie einen Ruhetag zwischen den Trainingseinheiten ein. Nach einigen Monaten kann die Intensität des Trainings erhöht werden, zum Beispiel auf vier- oder fünfmal pro Woche.

### Das Aufwärmen

Das Aufwärmen dient dazu, den Körper auf das Training vorzubereiten und das Verletzungsrisiko zu verringern. Wärmen Sie Ihren Körper zwei bis fünf Minuten lang auf, bevor Sie mit einem Ausdauer- oder Krafttraining beginnen. Machen Sie Übungen, die die Herzfrequenz erhöhen und die arbeitenden Muskeln aufwärmen. Beispiele für diese Art von Aktivität sind Laufen, Joggen, Hampelmänner, Hüpfen und Laufen auf der Stelle.

### Dehnen

Dehnen, während die Muskeln warm sind, ist nach einem guten Aufwärm- und Abkühltraining sehr wichtig. Dadurch wird das Verletzungsrisiko verringert. Dehnungsübungen sollten 15-30 Sekunden lang gehalten werden. Hier sind einige Beispiele für

Dehnungsübungen:

- Toe touch (Fig. B-1)
- Inner thigh stretch (Fig. B-2)
- Hamstring stretch (Fig. B-3)
- Achilles stretch (Fig. B-4)
- Side stretch (Fig. B-5)

### Abkühlung

Der Zweck des Cool-downs besteht darin, den Körper am Ende des Trainings in seine (fast) normale Ruheposition zu bringen. Ein gutes Cool-down senkt langsam die Herzfrequenz und fördert die Regeneration.

## SOMMAIRE

Consignes de sécurité	28
Garantie	28
Instructions de montage	29
Ajustement	29
Entraînement avec la fréquence cardiaque	29
Instructions d'entretien	29
Dépannage	30
Codes d'erreur	30
Console	31
Programmes	31
Directives de formation	33

## CONSIGNES DE SÉCURITÉ

### ! AVERTISSEMENT

**Consultez votre médecin avant de commencer à faire de l'exercice. Ceci est particulièrement important pour les personnes ayant des problèmes de santé. Veuillez lire toutes les instructions avant d'utiliser la machine. VirtuFit n'assume aucune responsabilité pour les blessures ou les dommages matériels résultant de l'utilisation de cet équipement. Veuillez lire attentivement ce manuel avant d'assembler et/ou d'utiliser la machine.**

- Assurez-vous que la machine est correctement assemblée et que tous les écrous et boulons sont bien serrés avant de l'utiliser.
- Lubrifiez chaque année toutes les pièces mobiles avec de la vaseline (non acide) ou un spray au silicone.
- Ne portez pas de vêtements amples pour éviter qu'ils ne se prennent dans les pièces mobiles.
- Installez et utilisez l'appareil sur une surface solide et plane.
- Portez toujours des chaussures de sport propres lorsque vous utilisez l'appareil.
- Tenez les enfants et les animaux domestiques à l'écart de l'appareil pendant son utilisation.
- Maintenez votre équilibre lorsque vous utilisez l'appareil.
- Ne placez pas vos doigts ou d'autres objets dans les parties mobiles.
- Avant de vous entraîner, consultez votre médecin afin de

déterminer la fréquence, la durée et l'intensité d'entraînement appropriées à votre âge et à votre condition physique. Arrêtez immédiatement l'entraînement si vous ressentez des nausées, un essoufflement, un évanouissement, des maux de tête, des douleurs thoraciques, une oppression ou tout autre malaise.

- Ne tenez pas la machine par le siège lors des déplacements.
- Cet appareil ne doit être utilisé que par une seule personne à la fois.
- Cette machine est conçue pour un usage domestique et le poids maximal de l'utilisateur est de 150 kg.
- Laissez 1 à 2 mètres d'espace derrière la machine pour éviter les accidents.
- Placez la machine sur une surface propre et plane. Ne le posez pas sur un tapis épais, qui pourrait gêner la ventilation de l'appareil. Ne placez pas l'appareil à l'extérieur ou près de l'eau.
- Maintenez l'emplacement de stockage sec, propre et de niveau pour éviter tout dommage. Il est interdit d'utiliser l'appareil à des fins autres que la formation.
- Utilisez l'appareil uniquement dans un environnement dont la température ambiante est comprise entre 10 °C et 35 °C. Conservez l'appareil uniquement dans un environnement dont la température est comprise entre 5 °C et 45 °C.

## GARANTIE

**Les demandes de garantie sont exclues si la cause du défaut est le résultat de:**

- Travaux d'entretien et de réparation non effectués par un concessionnaire officiel.
- En cas d'utilisation inappropriée, de négligence et/ou de mauvais entretien.
- Le fait de ne pas entretenir l'appareil conformément aux instructions du fabricant.

## INSTRUCTIONS DE MONTAGE (STEP 01-06)

**Des pièces manquantes:** Si certaines pièces manquent dans l'emballage, vérifiez soigneusement la mousse de polystyrène et l'appareil lui-même. Certaines pièces (boulons, vis, etc.) sont déjà fixées à l'appareil.

**Message d'erreur:** Veillez à ce que tous les câbles soient fixés avec soin. Les pieds en aluminium de la console sont très sensibles et doivent rester droits. Si la console donne un message d'erreur après le montage de la machine, il se peut que les pieds en aluminium de la console soient pliés. Redressez les pieds en aluminium, cela peut faire disparaître le message d'erreur.

**Boulons à tête hexagonale:** Assurez-vous que la clé hexagonale est bien enfoncée dans le boulon avant d'appliquer la force. Cela empêchera la tête du boulon à douille de tourner.

## AJUSTEMENT

### Réglage de la selle (A)

Afin de s'entraîner efficacement, il est conseillé de régler la selle à la bonne hauteur. Lorsque vous pédalez, vos genoux doivent être légèrement pliés lorsque les pédales sont en position basse.

**Pour régler la selle en position verticale, suivez les étapes ci-dessous:**

- Desserrez le bouton de la tige de selle et tirez le bouton vers vous.
- Déplacez la tige de selle vers le haut ou le bas jusqu'à ce que la selle soit dans la position souhaitée et relâchez le bouton.
- Déplacez la tige du siège légèrement vers le haut ou vers le bas pour vous assurer que le bouton se trouve dans l'un des trous de réglage.
- Serrez le bouton de la tige de selle.

**Suivez les étapes ci-dessous pour régler la position horizontale de la selle:**

- Desserrez le bouton de la selle de quelques tours.
- Faites glisser la selle vers l'avant ou l'arrière jusqu'à ce qu'elle soit dans la position souhaitée.
- Serrez le bouton de la selle.

### Réglage du guidon (B)

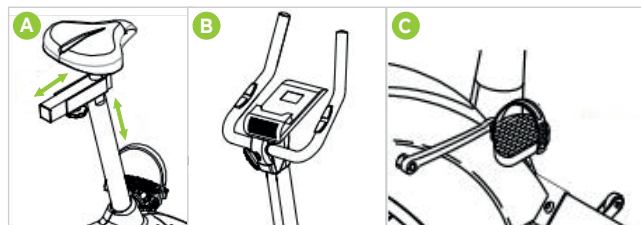
**Pour régler l'angle du guidon, suivez les étapes ci-dessous:**

- Desserrez le bouton.
- Inclinez les poignées dans la position souhaitée.
- Serrez le bouton pour fixer les poignées.

### Réglage des sangles de pied (C)

**Pour régler les sangles de pied, suivez les étapes ci-dessous:**

- Retirez l'extrémité de la sangle de pied des lèvres de la pédale.
- Réglez le cale-pied dans la position souhaitée.
- Fixez l'extrémité de la sangle de pied aux languettes de la pédale.



## ENTRAÎNEMENT AVEC LA FRÉQUENCE CARDIAQUE

### Capteurs de main

Cet appareil de fitness VirtuFit est équipé de capteurs manuels permettant de mesurer la fréquence cardiaque. Les capteurs manuels sont fixés à la poignée et ne fonctionnent que si les deux capteurs sont maintenus pendant une longue période. Pour une performance optimale, il est important que les mains soient légèrement humides et exercent une pression constante sur les capteurs. Des mains trop sèches ou trop humides peuvent donner lieu à des lectures anormales.

**ATTENTION! N'utilisez jamais les capteurs manuels en combinaison avec un appareil sans fil afin d'éviter toute interférence.**

## ENTRETIEN

*Une utilisation sûre et efficace ne peut être obtenue que si l'appareil est correctement installé et entretenu. Il est de votre responsabilité de veiller à ce que l'appareil soit entretenu régulièrement. Les pièces qui ont été utilisées et/ou endommagées doivent être remplacées avant toute nouvelle utilisation de l'appareil. L'appareil doit être utilisé et rangé uniquement à l'intérieur. Une exposition à long terme aux intempéries et aux changements de température/humidité peut avoir un impact sérieux sur les composants électriques et les pièces mobiles de l'appareil. Débranchez toujours le câble d'alimentation de l'appareil avant de le nettoyer ou de l'entretenir.*

## Entretien quotidien

- Nettoyez et éliminez la sueur et l'humidité après chaque utilisation.
- Vérifiez que l'appareil est exempt de poussière et de saleté.
- N'utilisez pas de produits de nettoyage agressifs et maintenez l'appareil à l'abri de l'humidité.

## Entretien semestriel

- Inspectez tous les boulons et écrous liés aux parties mobiles de l'unité. Serrez les boulons et les écrous si nécessaire et selon les besoins.

### Nous recommandons ce qui suit:

- Débranchez le cordon d'alimentation après chaque utilisation, surtout si des enfants sont présents.
- Nettoyez l'appareil après utilisation.
- Utilisez un chiffon sec pour nettoyer le panneau de commande et les zones autour de l'interrupteur marche/arrêt.
- Utilisez un chiffon doux et propre et un détergent pour éliminer les marques et les saletés tenaces sur l'appareil.
- Conservez l'appareil dans un endroit sûr et sec, à l'abri de la chaleur et de l'eau.

### ATTENTION!

- **Toute réparation doit être effectuée par un technicien professionnel, sauf indication contraire du fournisseur ou du fabricant.**

## Nettoyage

Un nettoyage général de l'appareil prolongera sa durée de vie. Gardez l'appareil propre en le dépoussiérant régulièrement. Un entretien régulier prolongera la durée de vie de votre appareil et évitera les blessures ! Pour de plus amples informations, veuillez consulter le site <https://www.virtufit.nl/service/faq/>

**ATTENTION!** Portez des chaussures propres pour réduire le risque de salir l'appareil. Au moins une fois par an, retirez le capot pour le dépoussiérer.

## DÉPANNAGE

**L'écran n'affiche aucune valeur:** Vérifiez que les câbles du capteur et de la console sont correctement fixés et non endommagés. Si cela ne résout pas le problème, contactez le fournisseur.

**Le vélo d'appartement grince:** Vérifiez que tous les boulons et écrous sont fermement serrés.

**Bruit de tic-tac lors du pédalage:** Cela peut être causé par l'une des pédales. Démontez la (les) pédale(s) et montez-la (les) correctement sur l'appareil. Serrez fermement la ou les pédales. Si cela ne résout pas le problème, contactez le fournisseur.

**REMARQUE!** La pédale "R" (droite) doit être montée dans le sens des aiguilles d'une montre et la pédale "L" (gauche) doit être montée dans le sens inverse des aiguilles d'une montre.

**Les capteurs de main ne fonctionnent pas correctement:** Lavez vos mains, séchez-les bien et testez à nouveau les capteurs de main. Si cela ne résout pas le problème, vérifiez si les câbles du guidon ne sont pas endommagés et s'ils sont correctement connectés au connecteur. Si cela ne corrige toujours pas le problème, remplacez la poignée.

**La console ne fonctionne pas:** S'il n'y a pas de signal lors du pédalage, vérifiez que le câble est correctement connecté.

## CODES D'ERREURS

### E1:

- **Le moteur ne fonctionne pas (problèmes de moteur)**  
**Solution:** Ce problème peut être causé par le moteur qui a du mal à ajuster sa résistance, ce qui entraîne un bruit fort du moteur. Lorsque cela se produit, le moteur peut être éventuellement endommagé par un dysfonctionnement. Si cela ne résout pas le problème, contactez le fournisseur.
- **Les câbles ont un problème**  
**Solution:** Vérifiez que les câbles ne sont pas endommagés ou qu'ils ne peuvent pas provoquer de courts-circuits.
- **La console a un problème.**  
**Solution:** Remplacez la console.

### E2:

- **Un problème avec les câbles**  
**Solution:** Assurez-vous que les câbles ne sont pas endommagés ou qu'ils présentent un potentiel de court-circuit.
- **Il y a un problème avec la console:**  
**Solution:** Remplacez la console.
- **Il y a un problème avec le moteur:**  
**Solution:** Remplacez le moteur.

### E3: Il y a un problème avec les câbles.

- **Solution:** Assurez-vous que les câbles ne sont pas endommagés ou court-circuités.

**E4: Lors de l'analyse de la graisse corporelle, les 8 premières secondes ne permettent pas de détecter le cœur.**

- **Solution:** Lavez vos mains, séchez-les bien et testez à nouveau les capteurs de main. Tenez fermement les poignées des deux mains.

## CONSOLE (FIG. A)



- **START/STOP**
  - Démarrer/arrêter la séance d'entraînement.
  - Commencez le programme de gestion de la graisse corporelle.
  - Maintenez cette touche enfoncée pour réinitialiser toutes les valeurs des fonctions (fonctionne uniquement en mode stop).
- **MIN (-):** Appuyez sur la touche "-" pour diminuer la valeur de la fonction sélectionnée. Pendant une séance d'entraînement, appuyez sur le bouton "-" pour diminuer la résistance.
- **PLUS (+):** Appuyez sur le bouton + pour augmenter la valeur de la fonction sélectionnée. Pendant l'entraînement, appuyez sur le bouton "+" pour augmenter la résistance.
- **ENTER:** Pour sélectionner le mode désiré ou confirmer la valeur désirée.
- **RECOVERY:** Appuyez sur la touche "RECOVERY" pendant l'exercice lorsque la valeur de la fréquence cardiaque est affichée pour lancer la fonction de récupération de la fréquence cardiaque. F1 est le plus léger et F6 est le plus lourd.
- **MODE:** Appuyez sur le bouton "MODE" pour basculer entre les différentes fonctions et valeurs pendant l'exercice.

## Fonctions

- **TIME:** La durée totale de la séance d'entraînement s'affiche.
- **SPEED:** La vitesse de l'entraînement s'affiche.
- **DISTANCE:** Indique la distance parcourue.
- **CALORIES:** affiche le nombre total de calories brûlées pendant l'entraînement.
- **PULSE:** Lorsque vous utilisez les capteurs de fréquence

cardiaque, votre fréquence cardiaque s'affiche pendant l'exercice.

## PROGRAMMES

### Programme manuel

**P1:** Sélectionnez "MANUEL" avec les touches '+' ou '-' et appuyez sur la touche "ENTER". La fonction "TIME" clignote, afin que la valeur puisse être réglée à l'aide des touches "+" ou "-". Appuyez sur la touche "ENTER" pour enregistrer la valeur et passer à la fonction suivante à régler. Continuez avec toutes les données souhaitées et appuyez sur "START/STOP" pour commencer l'entraînement. Si vous entrez une valeur, elle sera décomptée pendant la séance d'entraînement. Si vous le laissez vide, les données s'additionneront jusqu'à ce que vous arrêtez la séance d'entraînement.

**REMARQUE!** L'une des valeurs définies fera un compte à rebours jusqu'à zéro (0), la console émettra un son et la séance d'entraînement s'arrêtera automatiquement. Appuyez sur le bouton "START" pour poursuivre votre séance d'entraînement.

### Programmes préétablis

**P2 - P14** Il existe 10 programmes préprogrammés prêts à être utilisés. Tous les programmes comportent 24 niveaux de résistance. Pour sélectionner un programme, choisissez l'un des programmes préprogrammés à l'aide des touches '+' ou '-' et appuyez sur "ENTER". Tout d'abord, la fonction "TIME" clignote pour que vous puissiez la régler à l'aide des touches "+" ou "-". Appuyez sur la touche "ENTER" pour enregistrer la valeur et passer à la fonction suivante que vous voulez régler. Continuez avec toutes les données souhaitées et appuyez sur "START/STOP" pour commencer l'entraînement. Si vous entrez une valeur, elle sera décomptée pendant la séance d'entraînement. Si vous le laissez vide, les données s'additionneront jusqu'à ce que vous arrêtez la séance d'entraînement.

**REMARQUE!** L'une des valeurs définies fera un compte à rebours jusqu'à zéro (0), la console émettra un son et la séance d'entraînement s'arrêtera automatiquement. Appuyez sur le bouton START pour poursuivre votre séance d'entraînement.

### Programme en watts

**P15** Sélectionnez "PROGRAMME DE RÉGULATION DE LA PUISSANCE"

avec la touche '+' ou '-' et appuyez sur "ENTER". Tout d'abord, la fonction "TIME" clignote pour que vous puissiez la régler à l'aide des touches "+" ou "-". Appuyez sur la touche "ENTER" pour enregistrer la valeur et passer à la fonction suivante que vous voulez régler. Continuez avec toutes les données souhaitées et appuyez sur "START/ STOP" pour commencer l'entraînement. Si vous entrez une valeur, elle sera décomptée pendant la séance d'entraînement. Si vous le laissez vide, les données s'additionneront jusqu'à ce que vous arrêtiez la séance d'entraînement.

**REMARQUE!** *L'une des valeurs définies fera un compte à rebours jusqu'à zéro (0), la console émettra un son et la séance d'entraînement s'arrêtera automatiquement. Appuyez sur le bouton "START" pour poursuivre votre séance d'entraînement. La console ajustera automatiquement la résistance en fonction de la vitesse pour maintenir une valeur en watts constante. Utilisez la touche "-" pour régler la puissance pendant votre séance d'entraînement.*

### Programme sur la graisse corporelle

**P16** Sélectionnez "PROGRAMME DE GRAISSE CORPORELLE" avec la touche '+' ou '-' et appuyez sur "ENTER". MALE" clignote, le sexe peut être ajusté avec les touches '+' ou '-', appuyez sur "ENTER" pour enregistrer les données et passer au suivant. "175" pour la hauteur (longueur) clignote. La hauteur peut être ajustée avec les touches '+' ou '-', appuyez sur "ENTER" pour sauvegarder les données et passer à la suivante. 75" pour le poids clignote, il peut être ajusté avec la touche "+" ou "-" et appuyez sur "ENTER" pour enregistrer les données et passer à la suivante. 30" pour l'âge clignote, il peut être ajusté avec la touche '+' ou '-', puis appuyez sur "ENTER" pour enregistrer les données. Appuyez ensuite sur "START/STOP" pour calculer votre taux de graisse corporelle. Veillez à tenir également les capteurs de fréquence cardiaque pour mesurer votre rythme cardiaque. Après 15 secondes, l'écran affiche la graisse corporelle en %, le BMR, l'IMC et le type de profil.

**REMARQUE!** *Il existe 9 types de profils en fonction du pourcentage de graisse calculé (FAT%).*

LE TYPE 1	Varie de 5 à 9%
LE TYPE 2	Varie de 10 à 14%
LE TYPE 3	Varie de 15 à 19%
LE TYPE 4	Varie de 20 à 24%
LE TYPE 5	Varie de 25 à 29%
LE TYPE 6	Varie de 30 à 34%
LE TYPE 7	Varie de 35 à 39%
LE TYPE 8	Varie de 40 à 44%
LE TYPE 9	Varie de 45 à 49%

**BMR:** Basal Metabolism Ratio (rapport du métabolisme de base)

**BMI:** Body Mass Index (indice de masse corporelle)

**REMARQUE!** *Appuyez sur la touche "START/STOP" pour revenir à l'affichage principal.*

### Programme d'objectifs de fréquence cardiaque

**P17** Sélectionnez "TARGET H.R." avec la touche '+' ou '-' et appuyez sur "ENTER". La première fonction "TIME" clignote pour permettre le réglage de l'heure à l'aide des touches "+" ou "-". Appuyez sur la touche "ENTER" pour enregistrer la valeur et passer à la fonction suivante à régler. Continuez à régler toutes les données souhaitées et appuyez sur la touche "START/STOP" pour commencer l'entraînement. Si vous entrez une valeur, elle sera décomptée pendant la séance d'entraînement. Si vous le laissez vide, les données s'additionneront jusqu'à ce que vous arrêtiez la formation.

**REMARQUE!** *Si la fréquence cardiaque est supérieure ou inférieure à la fréquence cardiaque cible ( $\pm 5$ ), le vélo d'exercice ajuste automatiquement la résistance. Il faut environ 10 secondes pour que la résistance augmente ou diminue. L'une des valeurs définies fera un compte à rebours jusqu'à zéro (0), la console émettra un son et la séance d'entraînement s'arrêtera automatiquement. Appuyez sur le bouton "START" pour poursuivre votre séance d'entraînement.*

### Cible

**P18 - P20** Chaque programme correspond à un objectif spécifique:

**P18-60% CIBLE H.R** 60% de (220-age)

**P19-75% CIBLE H.R** 75% de (220-age)

**P20-85% CIBLE H.R** 85% de (220-age)

Sélectionnez un programme de fréquence cardiaque avec la touche '+' ou '-' et sélectionnez-le avec la touche "ENTER". La première fonction "TIME" clignote pour permettre de régler l'heure à l'aide des touches "+" ou "-". Appuyez sur la touche "ENTER" pour mémoriser la valeur et passer à la fonction suivante à régler. Continuez de cette manière avec toutes les données souhaitées, puis appuyez sur le bouton "START/STOP" pour commencer l'entraînement. Si vous entrez une valeur, elle sera décomptée pendant la séance d'entraînement. Si vous le laissez vide, les données s'additionneront jusqu'à ce que vous arrêtiez la formation.

**REMARQUE!** *Si la fréquence cardiaque est supérieure ou inférieure à la fréquence cardiaque cible ( $\pm 5$ ), le vélo d'appartement ajuste automatiquement la résistance. Il faut environ 10 secondes pour*



que la résistance augmente ou diminue. L'une des valeurs définies fera un compte à rebours jusqu'à zéro (0), la console émettra un son et la séance d'entraînement s'arrêtera automatiquement. Il existe quatre programmes utilisateurs qui peuvent être sélectionnés de U1 à U4. Un programme utilisateur permet à l'utilisateur de créer son propre programme qui peut être utilisé immédiatement. Si vous entrez une valeur, elle fera l'objet d'un décompte pendant l'entraînement. Si vous le laissez vide, les données s'additionneront jusqu'à ce que vous arrêtiez la formation.

### Programmes utilisateur

**P21 - P24** Sélectionnez un programme utilisateur à l'aide des touches '+' ou '-' et appuyez sur 'ENTER'. La première fonction "TIME" clignote pour permettre de régler l'heure à l'aide des touches "+" ou "-". Appuyez sur la touche "ENTER" pour mémoriser la valeur et passer à la fonction suivante à régler. Continuez de cette manière avec toutes les données souhaitées. Après le réglage, le niveau 1 clignote. Utilisez la touche '+' ou '-' pour régler le niveau et appuyez sur 'ENTER' pour passer à la colonne suivante. Faites de même pour les autres colonnes, de manière à traverser les 10 colonnes. Appuyez ensuite sur le bouton "START/STOP" pour commencer la séance d'entraînement. Si vous entrez une valeur, elle sera décomptée pendant la séance d'entraînement. Si vous le laissez vide, les données s'additionneront jusqu'à ce que vous arrêtiez la séance d'entraînement.

**REMARQUE!** Si l'une des données de l'exercice compte à rebours jusqu'à zéro (0), un son retentira et l'exercice s'arrêtera automatiquement. Appuyez sur la touche "START" pour poursuivre votre séance d'entraînement.

## DIRECTIVES DE FORMATION (FIG. B, 1-5)

Un programme d'entraînement réussi comprend un échauffement, l'entraînement proprement dit et un retour au calme. Effectuez le programme d'entraînement complet au moins deux, mais de préférence trois fois par semaine et gardez un jour de repos entre les séances d'entraînement. Après quelques mois, l'intensité de l'entraînement peut être augmentée, par exemple à quatre ou cinq fois par semaine.

### L'échauffement

L'objectif d'un échauffement est de préparer le corps à l'entraînement et de réduire le risque de blessure. Réchauffez votre corps pendant deux à cinq minutes avant de commencer un entraînement cardio ou

musculaire. Faites des exercices qui augmentent le rythme cardiaque et échauffent les muscles qui travaillent. Exemples de ce type d'activités: course, jogging, jumping jacks, saut à la corde et course sur place.

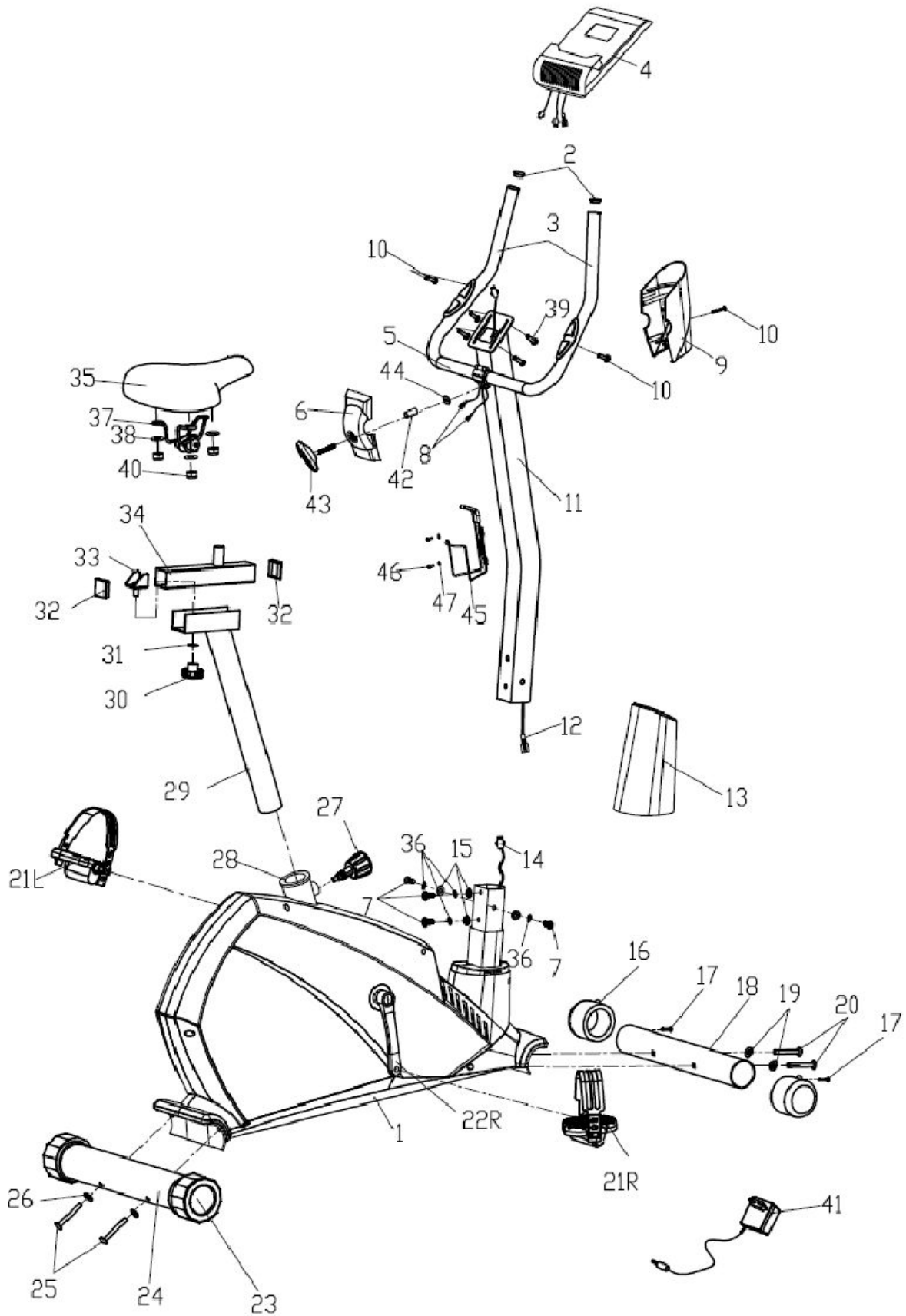
### Étirements

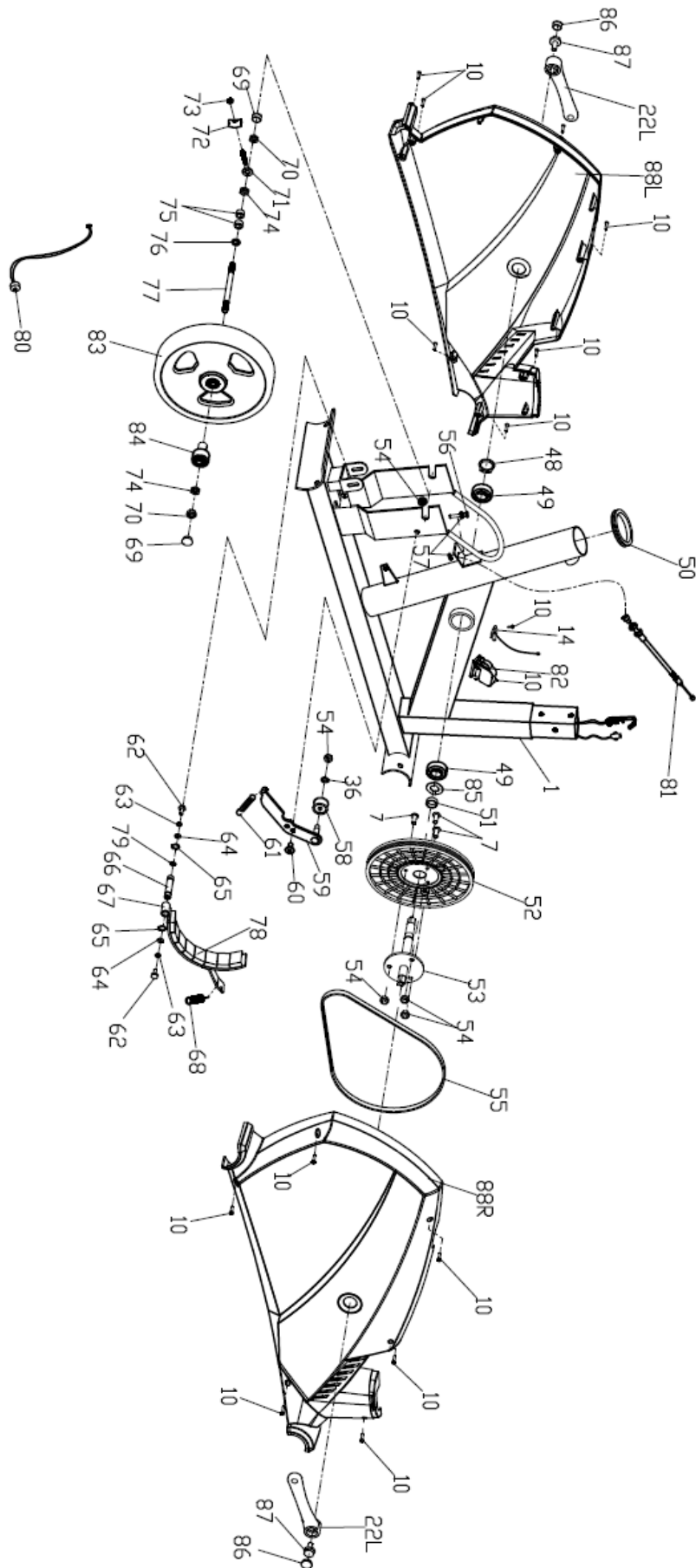
Les étirements pendant que les muscles sont chauds sont très importants après un bon échauffement et un bon retour au calme. Il réduit les risques de blessures. Les exercices d'étirement doivent être maintenus pendant 15 à 30 secondes. Voici quelques exemples d'exercices d'étirement:

- Toe touch (Fig. B-1)
- Inner thigh stretch (Fig. B-2)
- Hamstring stretch (Fig. B-3)
- Achilles stretch (Fig. B-4)
- Side stretch (Fig. B-5)

### Retour au calme

Le but du refroidissement est de ramener le corps à sa position de repos (presque) normale à la fin de l'entraînement. Un bon retour au calme réduit lentement votre rythme cardiaque et favorise la récupération.





#	DESCRIPTION	QTY.
1	Main Frame	1
2	Round End Cap	2
3	Hand grip foam	2
4	Computer	1
5	Handlebar	1
6	Front Handlebar Cover	1
7	Allen Bolt (M8X15)	8
8	Pulse Sensor Wire	2
9	Rear Handlebar Cover	1
10	Cross Tapping Screw (ST4.2X18)	3
11	Handlebar Post	1
12	Extension Sensor Wire	1
13	Protective Guard	1
14	Lower Sensor Wire	1
15	Flat Washer d8	4
16	Front End Cap	2
17	Cross Tapping Screw ST3.5X10	2
18	Front Stabilizer	1
19	Arc Washer d8X19X1.5XR30	2
20	Allen Bolt M8XL72	2
21 L/R	Pedal (L/R)	1 pr
22 L/R	Crank(L/R)	1 pr
23	Rear End Cap	2
24	Rear Stabilizer	1
25	Allen Bolt M8XL90	2
26	Arc Washer d8X2 X125 XR39	2
27	Pop-pin Knob M16X1.5X32	1
28	Saddle Post Bushing	1
29	Saddle Post	1
30	Knob Nut M10	1
31	Flat Washer d10	1
32	Square End Cap	2
33	U-shaped Slider	1
34	Horizontal Saddle Post	1
35	Saddle	1
36	Spring Washer (D8)	8
37	Saddle bracket	1
38	Flat Washer	3

#	DESCRIPTION	QTY.
39	Cross Screw M5X10	4
40	Nylon nut	3
41	Adaptor	1
42	Spacer	1
43	T-Handle knob	1
44	Flat washer	1
45	Bottle holder	1
46	Cross Tapping Screw	2
47	Flat washer	2
48	Spring washer D17	1
49	Bearing 6203	2
50	Bushing $\Phi$ 22X18 X8	1
51	Spacer	1
52	Belt pulley	1
53	Middle axle	1
54	Nylon nut M8	5
55	Belt	1
56	Hex bolt M5X60	1
57	Hex nut M5	2
58	Idler wheel	1
59	Idler tube	1
60	Bolt	1
61	Spring 1	1
62	Hex bolt M6X15	2
63	Spring washer D6	2
64	Flat washer D6	2
65	Spring washer D12	2
66	Magnetic board axle	1
67	Magnetic board	1
68	Spring 2	1
69	Nut cap	2
70	Hex nut M10X1	2
71	Bolt	1
72	U-shaped washer	1
73	Hex nut M6	1
74	Thin nut M10x1	2
75	Spacer $\Phi$ 16x $\Phi$ 10.5x9	2
76	Spacer $\Phi$ 16x $\Phi$ 10.5x3	1

#	DESCRIPTION	QTY.
77	Flywheel axle	1
78	Magnet	12
79	Wave washer $\Phi 12 \times \Phi 15,5 \times 0,3$	1
80	Power wire	1
81	Tension Controller wire	1
82	Motor	1
83	Flywheel	1
84	Small belt wheel	1
85	Wave washer $\Phi 17 \times \Phi 25 \times 0,3$	1
86	Small plastic cover	2
87	Flange bolt M8	2
88 L/R	Chain cover	1pr.

# *virtufit*

## COMPANY INFORMATION

For an ongoing service request or to purchase parts, please visit; [service@virtufit.nl](mailto:service@virtufit.nl). Always state the service number (ITS number) with a question about the current application for a quick and efficient settlement. A service request must always be submitted via the service form. So the request not to request service via [info@virtufit.nl](mailto:info@virtufit.nl).

Do you have a problem with your VirtuFit fitness equipment and would you like to submit a service request? Then scan the QR code on the right and fill in our service form.



### **VIRTUFIT**

Twekkelerweg 263  
7553 LZ Hengelo  
The Netherlands  
[info@virtufit.nl](mailto:info@virtufit.nl)