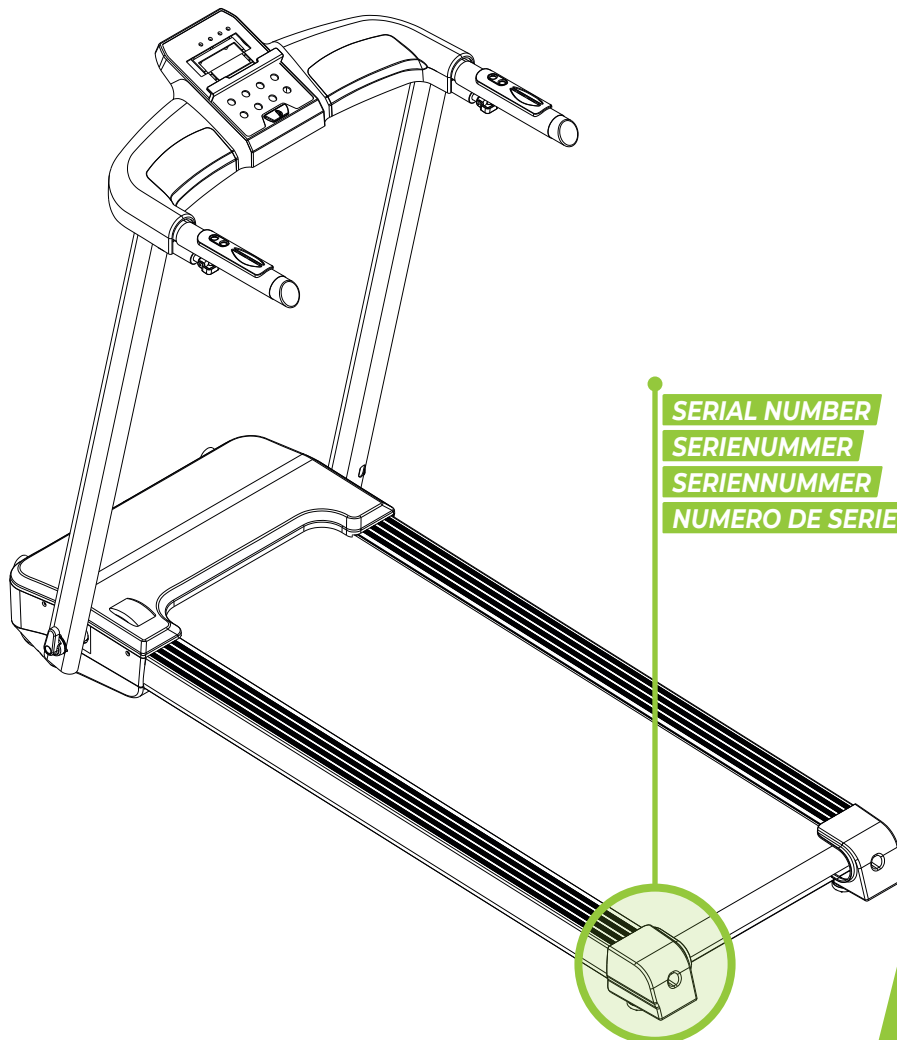


# virtufit

Totally Foldable TR-50i Treadmill

VFLOTR50i



SERIAL NUMBER  
SERIENUMMER  
SERIENNUMMER  
NUMERO DE SERIE

ASSEMBLY  
VIDEO



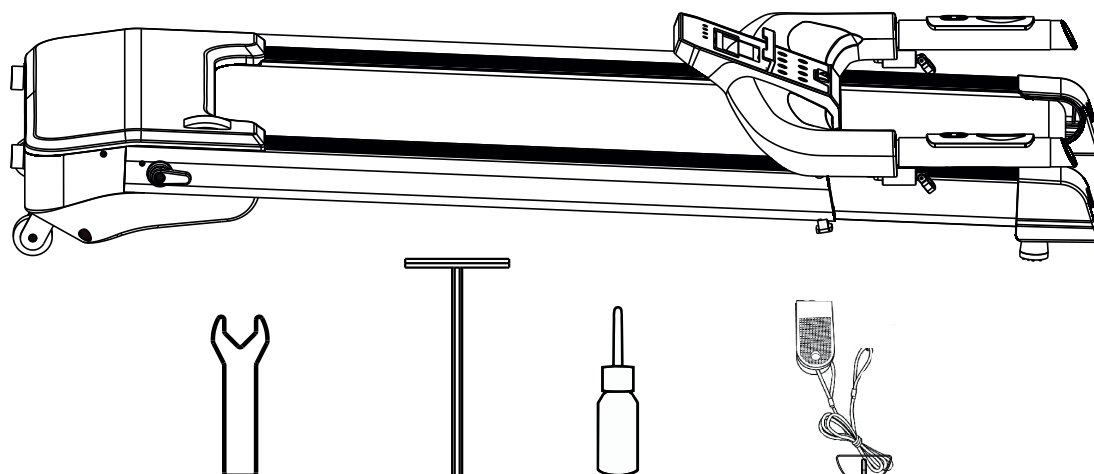
📍 @virtufit\_fitness

▶️ VirtuFit

🌐 [www.virtufit.com](http://www.virtufit.com)

USER MANUAL

## TOOLKIT



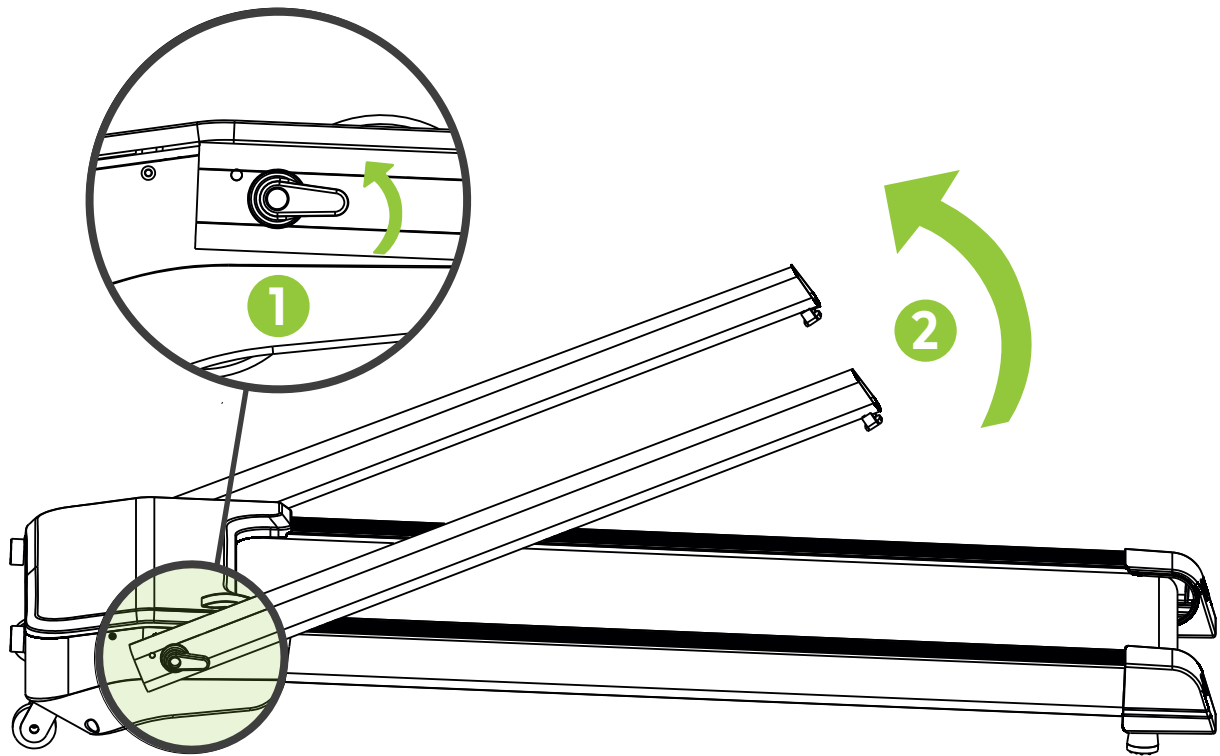
#	DESCRIPTION	QTY
1	Main frame	1
12	Allen key 5mm	1
71	Security key	1
72	Oil bottle	1

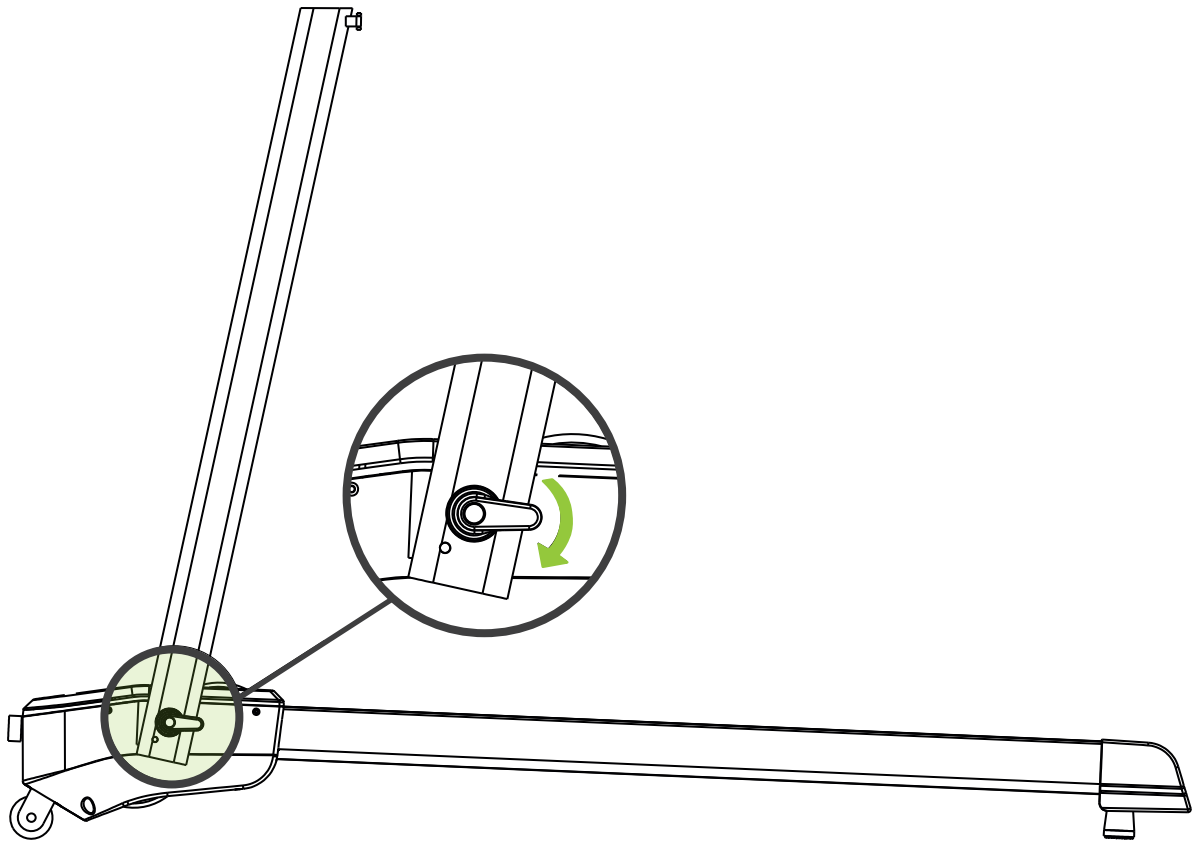
**NOTE!** Do not connect the unit to the power supply until it is fully assembled.

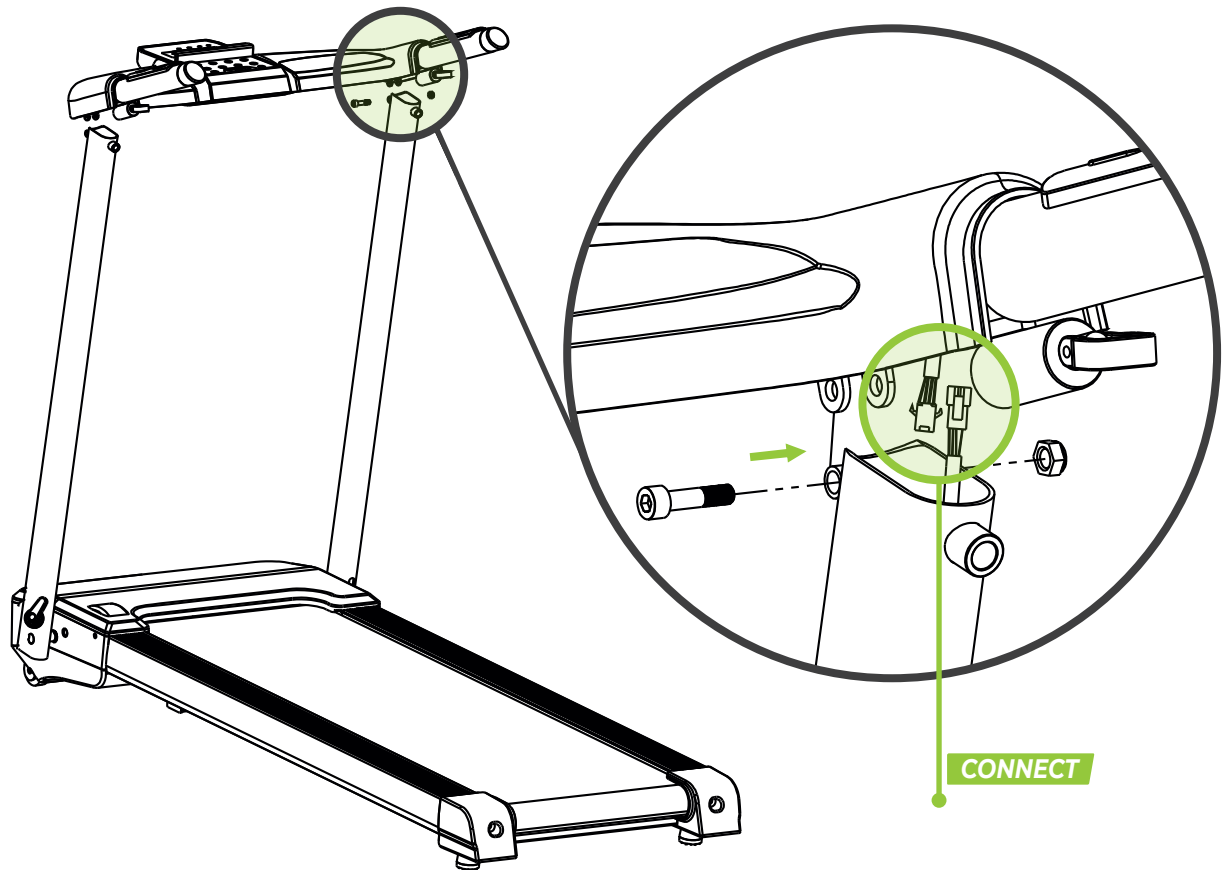
**LET OP!** Sluit het toestel pas aan op het stroom wanneer het volledig is gemonteerd.

**HINWEIS!** Schließen Sie das Gerät erst dann an das Stromnetz an, wenn es vollständig montiert ist.

**REMARQUE!** Ne connectez pas l'appareil à l'alimentation électrique avant qu'il ne soit entièrement assemblé.





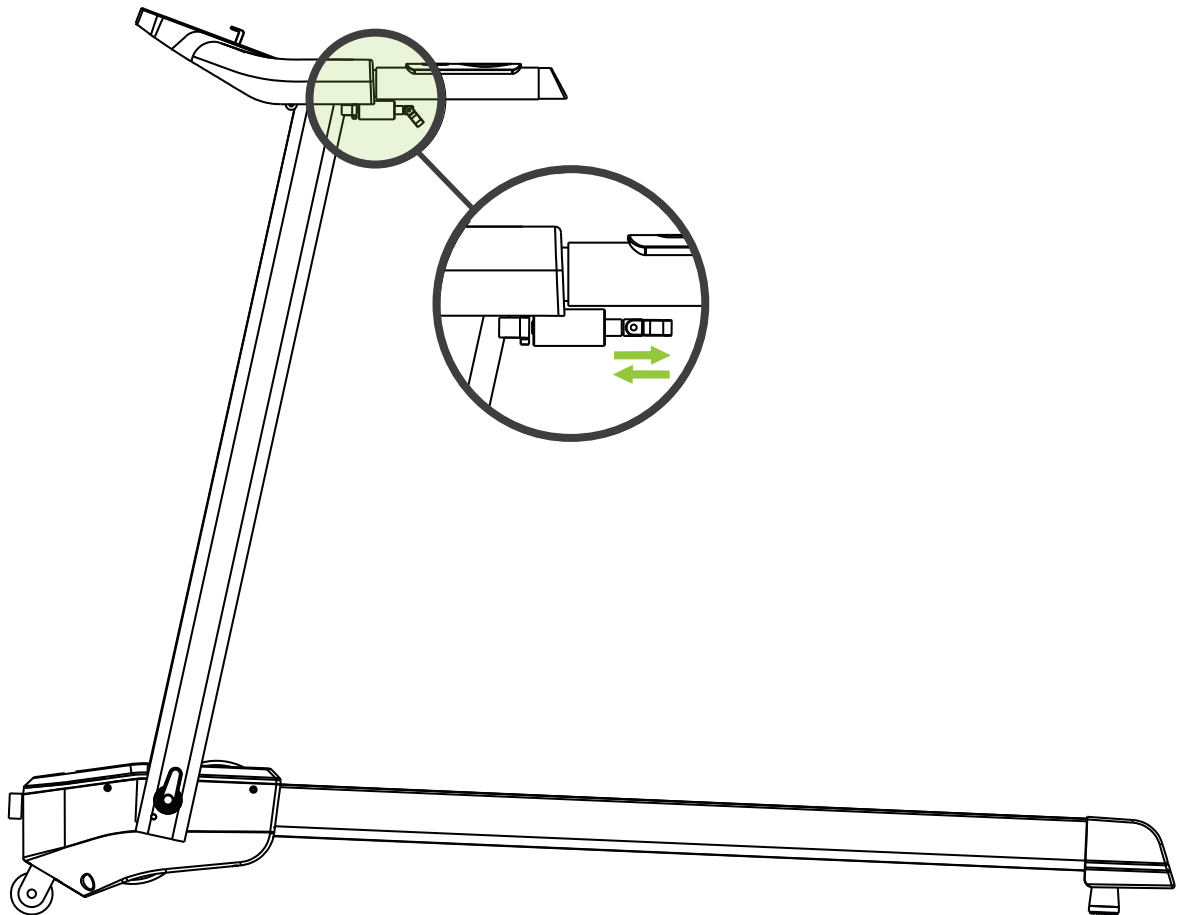


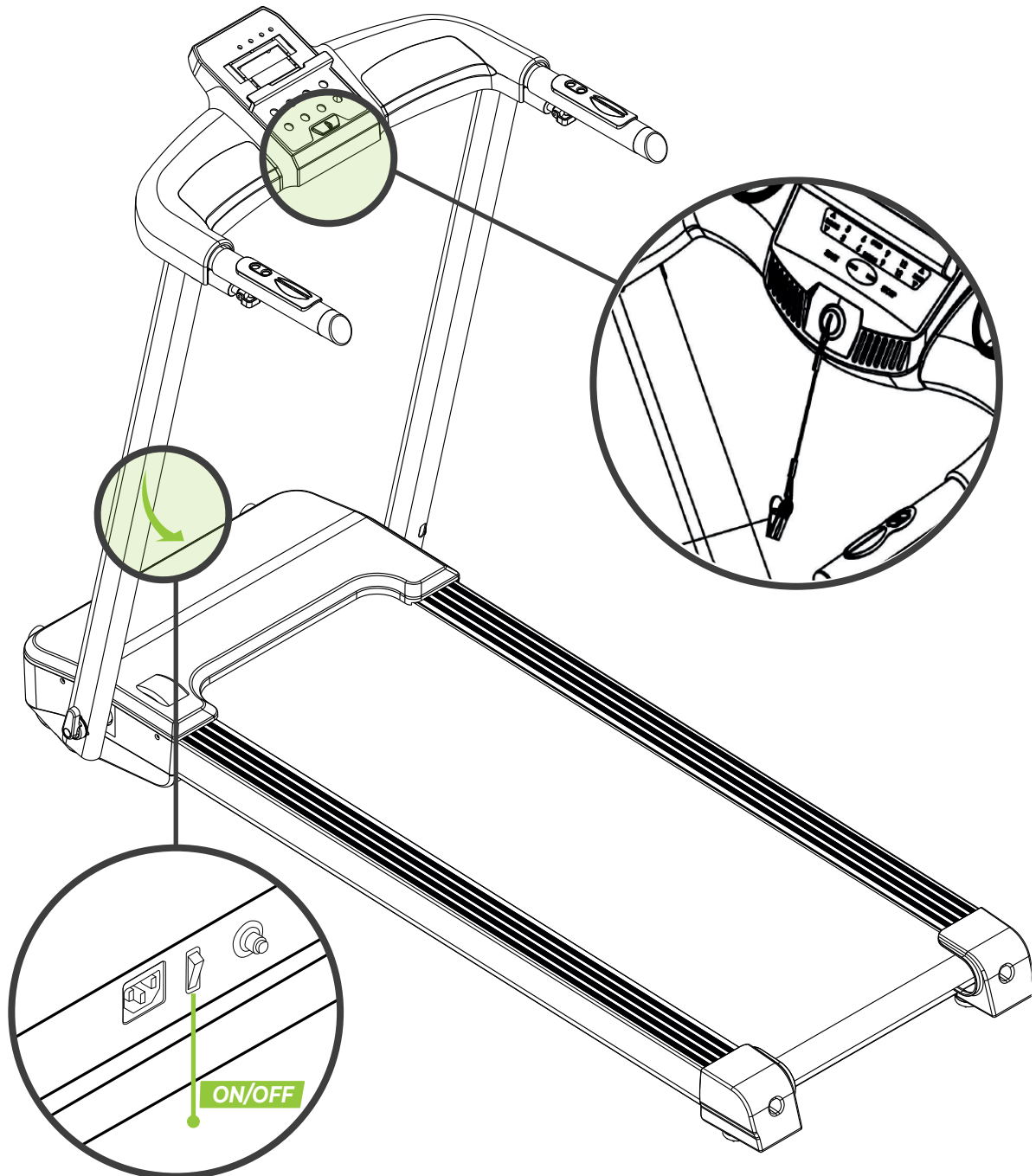
**CAUTION!** Do not tighten the cables at the front and back of the connector and make sure they do not get caught in the tubes. Please also note this when folding and unfolding the treadmill.

**LET OP!** Knijp niet in de kabels aan de voor- en achterkant van de connector en zorg ervoor dat de kabels niet bekneld raken tussen de buizen. Let hier ook op tijdens het in- en uitklappen van de loopband.

**ACHTUNG!** Ziehen Sie die Kabel an der Vorder- und Rückseite des Anschlusses nicht fest und achten Sie darauf, dass sie sich nicht in den Schläuchen verfangen. Bitte beachten Sie dies auch beim Zusammen- und Auseinanderklappen des Laufbandes.

**ATTENTION!** Ne serrez pas les câbles à l'avant et à l'arrière du connecteur et veillez à ce qu'ils ne se coincent pas dans les tubes. Veuillez également en tenir compte lorsque vous pliez et dépliez le tapis de course.

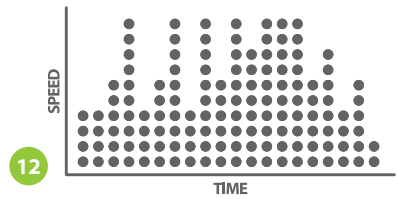
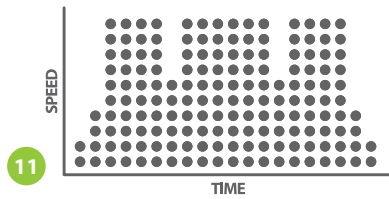
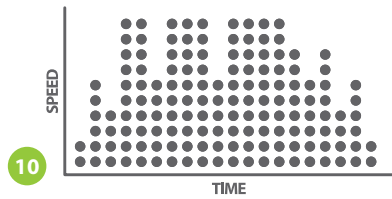
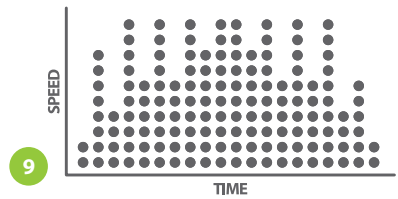
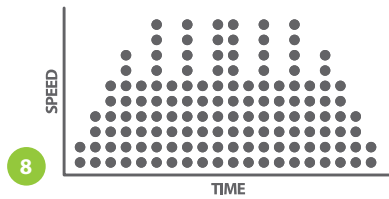
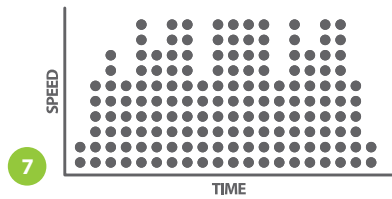
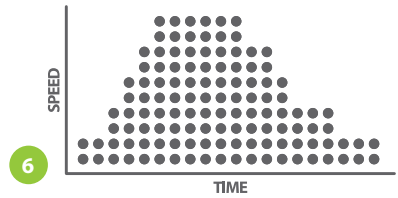
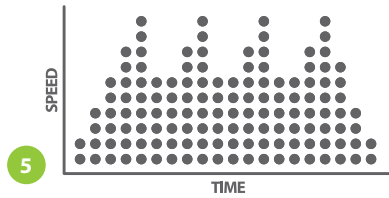
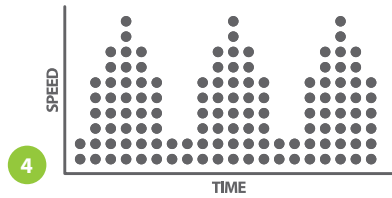
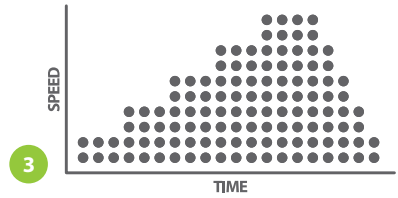
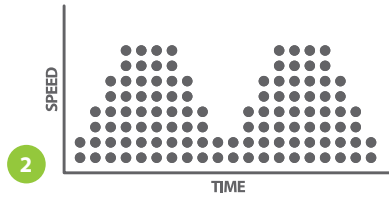
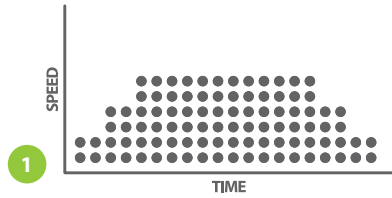


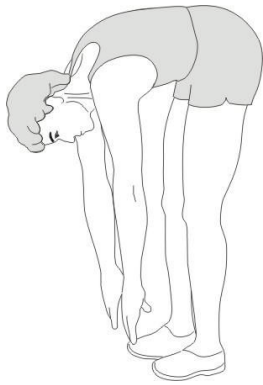






07

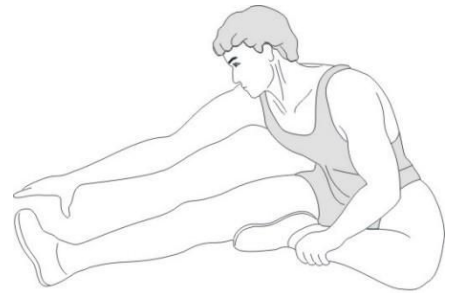




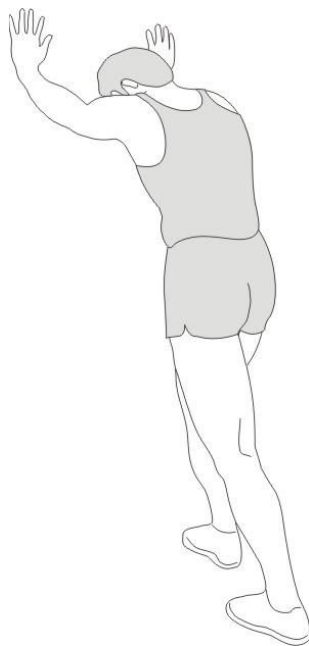
A



B



C



D



E

## INDEX

---

Safety instructions	11
Guarantee	11
Assembly instructions	11
Moving and adjusting	12
Heart rate training	12
Training with fitness applications	12
Maintenance	13
Safety key	13
Lubricating	13
Troubleshooting	14
Error codes	15
Console	15
Programs	15
Training guidelines	16

## SAFETY INSTRUCTIONS

---

### **!** WARNING!

*Consult your doctor before you start exercising. This is particularly important for people with health problems. Please read all instructions before using the machine. VirtuFit assumes no responsibility for injury or property damage resulting from the use of this equipment. Please read this manual carefully before assembling and/or using the machine.*

- Make sure that the machine is properly assembled and that all nuts and bolts are tight before using it.
- Assemble the machine with at least two people.
- Lubricate all moving parts annually with petroleum jelly (acid-free) or silicone spray.
- Do not wear loose clothing to avoid getting caught in moving parts.
- Install and use the unit on a solid, level surface.
- Always wear clean sports shoes when using the appliance.
- Keep children and pets away from the appliance when in use.
- Maintain your balance when using the device.
- Do not place your fingers or other objects in the moving parts.

- Before exercising, consult your physician to determine the appropriate frequency, duration and intensity of exercise for your age and physical condition. Stop exercising immediately if you experience nausea, shortness of breath, fainting, headache, chest pain, tightness or any other discomfort.
- Do not hold the machine by the seat when moving.
- This machine should only be used by one person at a time.
- This machine is designed for domestic use and the maximum user weight is 120 kg.
- Leave 1-2 metres of space behind the machine to avoid accidents.
- Place the machine on a clean, flat surface. Do not place it on a thick carpet, as this may hinder the ventilation of the machine. Do not place the machine outdoors or near water.
- Keep the storage area dry, clean and level to prevent damage. Do not use the device for any purpose other than training.
- Use the device only in an environment where the ambient temperature is between 10°C and 35°C. Store the device only in an environment where the temperature is between 5°C and 45°C.

## GUARANTEE

---

**Warranty claims are excluded if the cause of the defect is the result of:**

- Maintenance and repair work not carried out by an official dealer.
- Improper use, negligence and/or poor maintenance.
- Failure to maintain the appliance in accordance with the manufacturer's instructions.

## ASSEMBLY INSTRUCTIONS (FIG. 01-05)

---

**Missing parts:** If any parts are missing from the packaging, carefully check the polystyrene foam and the appliance itself. Some parts (bolts, screws, etc.) are already attached to the unit.

**Error message:** Make sure that all cables are carefully attached. The aluminium feet of the console are very sensitive and must be kept straight. If the console gives an error message after the machine

has been mounted, the aluminium feet of the console may be bent. Straightening the aluminium feet may make the error message disappear.

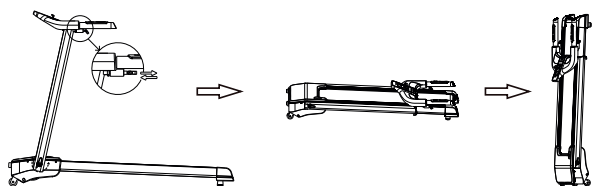
**Hex head bolts:** Make sure that the hex head spanner is pushed into the bolt before applying force. This will prevent the head of the socket bolt from turning.

## MOVING AND ADJUSTING

### Moving and storage

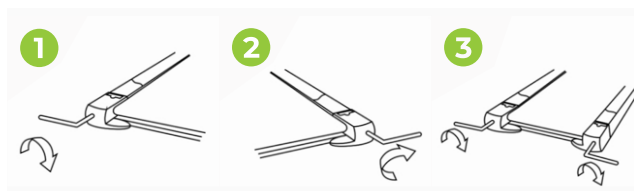
**CAUTION!** Store the tool in a dry place, out of the reach of children. Make sure that the tool is stable and safe so that it cannot fall on children or animals.

- Pull the pin on the handlebar of the console to fold the unit.
- Do not pinch the cables.
- Place the treadmill against a wall or store it under a bed or closet.



### Adjusting the treadmill

1. **The treadmill veers to the left:** Turn on the treadmill, set the speed to 2 to 3 km/h without forcing. Use the Allen key to turn the screw on the left side of the end of the treadmill a quarter turn to the right (1). Run the treadmill for 1 to 2 minutes without a load. Repeat the process until the treadmill is exactly in the middle.
2. **The treadmill turns to the right:** start the treadmill, set the speed to 2 to 3 km/h without a load on the treadmill. Using the hexagonal key, turn the screw on the right side of the end of the treadmill a quarter turn to the right (2). Run the treadmill for 1 to 2 minutes without a load.
3. **The treadmill has jammed:** Use the Allen spanner to turn the screw on the right side of the end half a turn to the right and the screw on the left side of the end half a turn to the right as well. Repeat the process until the blockage is resolved (3).



## TRAINING WITH HEART RATE

### Hand sensors

This VirtuFit fitness machine is equipped with hand sensors to measure heart rate. The hand sensors are attached to the handle and only work if both sensors are held for a long time. For optimal performance, it is important that the hands are slightly damp and exert constant pressure on the sensors. Hands that are too dry or too wet may result in abnormal readings.

**CAUTION!** Never use the hand sensors in combination with a wireless device to avoid interference.

## TRAINING WITH FITNESS APPLICATIONS

VirtuFit does not provide service for third party fitness applications such as Kinomap, iConsole, FitShow etc. If you encounter problems with a third party fitness application, please contact the developer of the application in question.

### Instruction

- To scan the QR code with an Android or IOS phone or tablet, a QR code scanner is required. The app for scanning QR codes can be downloaded from the App Store or Google Play Store.
- Scan one of the QR codes below to go directly to the App Store or Google Play Store page where the fitness app can be downloaded.
- Scan the QR code on the right to access the fitness app manual. The manual describes step by step how to connect the fitness app to the device, how the fitness app works and what its capabilities are.

## Fitshow



APP STORE



GOOGLE PLAY



MANUAL

## MAINTENANCE

Safe and efficient use can only be achieved if the appliance is properly installed and maintained. It is your responsibility to ensure that the appliance is maintained regularly. Parts that have been used and/or damaged must be replaced before the appliance is used again. The appliance should only be used and stored indoors. Long-term exposure to weather and temperature/humidity changes can have a serious impact on the electrical components and moving parts of the unit. Always unplug the power cord from the unit before cleaning or servicing it.

### Daily maintenance

- Clean and remove sweat and moisture after each use.
- Check that the unit is free of dust and dirt.
- Do not use aggressive cleaning agents and keep the device away from moisture.

### Semi-annual maintenance

- Inspect all bolts and nuts connected to the moving parts of the unit. Tighten bolts and nuts as necessary and appropriate.
- Check the mobility of moving parts and components of the unit. Use silicone spray if necessary and appropriate.

### We recommend the following:

- Unplug the power cord after each use, especially if children are present.
- Clean the treadmill after use.
- Use a dry cloth to clean the control panel and areas around the power switch.
- Use a soft, clean cloth and detergent to remove stubborn stains and dirt from the treadmill.
- Store your treadmill in a safe, dry place away from heat and water.

### CAUTION!

- All repairs must be performed by a professional technician, unless otherwise specified by the supplier or manufacturer.
- If the treadmill has been in use for two hours, we recommend that you wait ten minutes before unplugging the power cord. This is better for the durability of the unit.
- To avoid slipping during exercise, the treadmill belt should not be too loose. To avoid abrasion between the roller and the treadmill and to ensure proper operation of the machine, the treadmill should not be too tight. The distance between the step and the belt can be adjusted. The distance between the step and the belt should be 50 to 75 mm on both sides.

### Cleaning

General cleaning of the machine will prolong its life. Keep the unit clean by dusting it regularly. Be sure to clean the exposed area of the treadmill and the footrests on both sides.

**CAUTION!** Wear clean shoes to reduce the risk of soiling the machine. At least once a year, remove the cover to remove dust.

### SAFETY KEY

Remove the safety key and the treadmill stops immediately. All windows display “---”, the buzzer sounds “B-B -” three times, and the treadmill stops. Attach the end of the safety cord to the computer and the treadmill will start up again.

### LUBRICATING THE TREADMILL

The treadmill is equipped with a low-maintenance, pre-lubricated treadmill. Wear and tear on the treadmill plays an important role in the operation and life of the treadmill, so it should be lubricated periodically. We recommend that you inspect the belt regularly. Contact us as soon as you notice any damage to the treadmill.

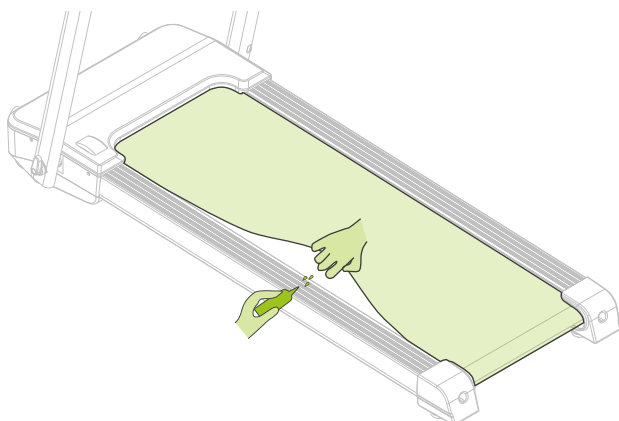
#### Recommended lubrication of the treadmill

- **Low usage (less than 3 hours per week):** once a year.
- **Medium use (3 to 5 hours per week):** every six months.
- **Heavy use (more than 5 hours per week):** every three months.

**As a general rule:** Lubricate if the mat appears dry. If in doubt, contact the manufacturer. The use of Vaseline (acid-free) or silicone oil is recommended for lubricating the treadmill.

## Instruction

- Lift the mat.
- Apply two to three drops of silicone oil along the length of the treadmill.
- Turn on the treadmill and run for three minutes without stressing the treadmill (i.e. without standing on the treadmill).



**CAUTION!** Regular maintenance will extend the life of the treadmill and prevent injury!

## TROUBLESHOOTING

**Abnormal speed:** Take error code "E03" as an example (error codes follow after troubleshooting).

**No power:** Check that the fuse is connected and that the sensor cable is connected to the console.

**Motor failure:** Check that the motor needs to be replaced.

**Motor burnt out:** Check if the console is also burnt out. Replace the motor. If the check reveals that the console is also burnt out, replace it.

**The tilt function does not work properly:** Check that the slope motor and 3-pin cable are correctly connected to the console and follow these steps:

- Remove the cable from the sensor connected to the console, turn on the power and press the small button in the right corner of the console for two seconds. The tilt motor will automatically detect and the unit will reach the highest position. After approximately three minutes, the unit will descend to the lowest position.
- When the tilt motor has reached the lowest position, the automatic detection is finished. After the automatic detection, reconnect the console by reconnecting the sensor cable that

was removed in the first step. If this does not solve the problem, replace the console.

**Power failure:** Check that the sensor cable is properly connected.

**Screen display not working properly:** Turn off the unit and restart the engine. Turn on the unit and check that the display is back to normal. If this does not solve the problem, replace the console.

**No display:** Check that the voltage is correct and that the power supply is 8V.

**LCD screen flashes:** Check that the power is on and that the power supply is 8V.

**Light display is not clear:** Turn off the unit and check that the sensor cable is properly connected. Turn the unit back on and check that the backlit display is clear again. If this does not solve the problem, replace the console.

**USB player does not play music:** Check if the MP3 connection is working. If it does not work properly, open the console to check that the cables are properly connected to the amplifier. Re-insert the USB drive to check if the music is playing. If this does not correct the problem, replace the console.

**The dongle does not work properly:** Check that the dongle is properly attached. Open the console and check that the switch and cable are not damaged. If this does not solve the problem, replace the console.

**Console buttons do not work properly:** If a button does not work, open the console and check that the button is not damaged. If the button is damaged, replace the console. If more than one button does not work, restart the console and check that the buttons work again. If this does not correct the problem, replace the handle.

**The buttons on the handle do not work properly:** Wash your hands, dry them thoroughly and test the buttons again. If this does not solve the problem, check that the handle cables are not damaged and that they are properly connected to the connector. If this still does not solve the problem, replace the handle.

**Hand sensors are not working properly:** Wash your hands, dry them well and test the hand sensors again. If this does not solve the problem, check that the handle cables are not damaged and that they are correctly connected to the socket. If this still does not solve the problem, replace the handle.

## ERROR CODES

**E01:** Console signal failed.

- **Solution:** Check that the sensor cable is not damaged and that it is correctly connected. If it is, replace the console.

**E02:** The console does not recognise the engine power.

- **Solution:** Check that the positive and negative motor cables are correctly connected to the console terminal interface. If this is correct, check that the power tube (located on the console and peripherals) is not damaged. If this does not correct the problem, replace the console or motor.

**E03:** The speed display is not recognised by the console when the motor is running.

- **Solution:** Verify that the motor is running when the treadmill is turned on and that error code "E03" is displayed. Check that the light sensor is working properly. Check that the light sensor cable is secure and that the junction between the light sensor and the four white pins on the console are properly connected. If all of the above are correct, check the area of the four white pins on the peripheral unit for damage and consider replacing the console and circuit board. If the motor does not work when error code "E03" is displayed, check if the motor is broken and consider replacing it.

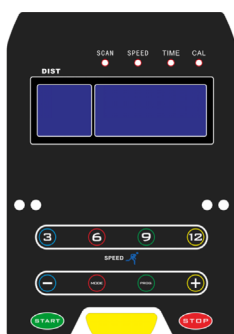
**E05:** When the motor is running, the voltage is higher than the protection value.

- **Solution:** Check that the motor is in good condition and that nothing is trapped between the rotating shoe and the motor, which increases the resistance. If all of the above is correct, replace the console.

**E07:** The signal from the safety key is not recognised by the computer, so the display shows E07 or "--- ---".

- **Solution:** Check that the magnetic parts of the security key are securely attached.

## CONSOLE (FIG. 06)



- **START:** Press the "START" button and the treadmill will start after three seconds at 1 km/h.
- **+/-:** Press the "+" button to increase the speed and the "-" button to decrease the speed. The minimum speed is 1 km/h and the maximum speed is 12 km/h.
- **MODE:** Press the "MODE" button and the display shows "SPEED", "TIME" and "CALORIES". The display lights up every five seconds with the data "SPEED", "TIME" and "CALORIES".

## Functions

- **PROGRAM:** Press this button to select a program in manual mode: P1 --- P15 ---- "FAT".
- **MODE:** When the treadmill is ready, press this button to select the mode: time mode countdown, distance mode countdown, calorie mode countdown.
- **START:** Press this button to start the treadmill, after three seconds the treadmill will start at the lowest speed or standard program speed.
- **STOP:** Press this button to stop the treadmill. The treadmill will stop slowly.
- **SPEED +/-:** Sets the speed. Press this button to adjust the speed during your workout.
- **SPEED (3-6-9-12):** Adjusts the speed in rapid increments.
- **HANDLE BUTTON (R):** Speed knob.
- **HANDLE BUTTON (L):** START/STOP button.
- **HEART RATE TEST:** The heart rate will appear on the display after five seconds if the handle is held with both hands. To measure heart rate more accurately, please perform the test when the treadmill stops, then hold the handles for more than 30 seconds. The heart rate displayed may differ from the actual heart rate.

## PROGRAMS (FIG. 07)

The treadmill has 12 programs P1-P12. Press "PROG" when the unit is in standby mode to set the programs and press "START" to turn the treadmill on. After turning the treadmill on, press the "PROG" button directly or press "STOP" twice and the treadmill will display "OFF" and go into sleep mode to view all programs. The programs are shown on page 9. The horizontal line represents time, and each dot represents a minute and a half. The vertical line represents speed and each dot represents 1 km/h. Each program lasts 30 minutes.

## **TRAINING GUIDELINES (FIG. 08, A-E)**

---

A successful training program includes a warm-up, the actual training and a cool-down. Perform the complete training program at least twice, but preferably three times a week and keep a rest day between training sessions. After a few months, the intensity of the training can be increased, for example to four or five times a week.

### **The warm-up**

---

The purpose of a warm-up is to prepare the body for training and to reduce the risk of injury. Warm up your body for two to five minutes before starting a cardio or strength training session. Do exercises that increase the heart rate and warm up the working muscles. Examples of this type of activity are running, jogging, jumping jacks, skipping and running in place.

### **Stretching**

---

Stretching while the muscles are warm is very important after a good warm-up and cool-down. It reduces the risk of injury. Stretching exercises should be held for 15-30 seconds. Here are some examples of stretching exercises:

- Toe touch (page 10, Fig. 08-A)
- Inner thigh stretch (page 10 - Fig. 08-B)
- Hamstring stretch (page 10 - Fig. 08-C)
- Achilles stretch (page 10 - Fig. 08-D)
- Side stretch (page 10 - Fig. 08-E)

### **Cooling down**

---

The purpose of the cool-down is to return the body to its (near) normal resting position at the end of the workout. A good cool-down slowly reduces your heart rate and promotes recovery.



## INHOUD

<b>Veiligheidsinstructies</b>	<b>17</b>
<b>Garantie</b>	<b>17</b>
<b>Montage Instructies</b>	<b>18</b>
<b>Verplaatsen en afstellen</b>	<b>18</b>
<b>Trainen met hartslag</b>	<b>18</b>
<b>Trainen met fitness apps</b>	<b>18</b>
<b>Onderhoud</b>	<b>19</b>
<b>Veiligheidssleutel</b>	<b>19</b>
<b>Insmeren van de loopband</b>	<b>20</b>
<b>Probleemoplossingen</b>	<b>20</b>
<b>Foutcodes</b>	<b>21</b>
<b>Console</b>	<b>21</b>
<b>Programma's</b>	<b>22</b>
<b>Trainingsrichtlijnen</b>	<b>22</b>

## VEILIGHEIDSINSTRUCTIES

### ⚠ WAARSCHUWING!

**Raadpleeg uw arts voordat u begint met trainen. Dit is in het bijzonder belangrijk voor personen met gezondheidsproblemen. Lees alle instructies alvorens het toestel gebruikt wordt. VirtuFit neemt geen verantwoordelijkheid voor geleden letsel of materiële schade door het gebruik van dit toestel. Lees deze handleiding zorgvuldig door, voordat u begint met monteren van het toestel en/of er gebruik van gaat maken.**

- Zorg ervoor dat het toestel voor gebruik correct is gemonteerd en alle bouten en moeren zorgvuldig zijn vastgedraaid.
- Monteer het toestel met minimaal twee personen.
- Smeer alle bewegende delen jaarlijks in met vaseline (zonder zuren) of siliconenspray.
- Draag geen loszittende kleding om te voorkomen dat deze in bewegende delen verstrikt raakt.
- Stel het toestel op en gebruik deze op een stevige, effen ondergrond.
- Draag altijd schone sportschoenen bij gebruik van het toestel.
- Houd kinderen en huisdieren uit de buurt van het toestel, terwijl deze in gebruik is.
- Zorg dat u evenwicht behoudt tijdens gebruik van het toestel.
- Plaats geen vingers of andere voorwerpen in de bewegende delen.
- Raadpleeg voorafgaand aan een training uw arts om de trainingsfrequentie, tijd en intensiteit vast te stellen die geschikt is voor uw leeftijd en conditie. Stop onmiddellijk met trainen in geval van misselijkheid, kortademigheid, flauwvallen, hoofdpijn, pijn, benauwdheid in de borst of enig ander ongemak.
- Houd het toestel niet vast aan de zitting bij het verplaatsen.
- Dit toestel dient door slechts één persoon tegelijk te worden gebruikt.
- Dit toestel is gemaakt voor thuisgebruik en het maximaal gebruikersgewicht bedraagt 120 kg.
- Houd 1 á 2 meter ruimte vrij achter het toestel om eventuele ongelukken te voorkomen.
- Plaats het toestel op een schone en vlakke ondergrond. Plaats het toestel niet op dik tapijt waardoor het ventilatie kan belemmeren. Plaats het toestel niet buiten of in de buurt van water.
- Het toestel is voor binnengebruik en niet voor buitengebruik. Houd de opslagplek droog, schoon en vlak om schade te voorkomen. Het is verboden om het toestel voor andere doeleinden te gebruiken dan voor de trainingen.
- Gebruik het toestel alleen in een omgeving met een omgevingstemperatuur tussen 10 °C en 35 °C. Berg het toestel alleen op bij een omgevingstemperatuur tussen 5 °C en 45 °C.

## GARANTIE

**Aanspraak op garantie is uitgesloten indien de oorzaak van het defect het gevolg is van:**

- Onderhoudsmontage en reparatiewerkzaamheden die niet door een officiële dealer zijn uitgevoerd.
- Bij ondeugdelijk gebruik, verwaarlozing en/of gebrek aan onderhoud.
- Het niet volgens de fabrieksvoorschriften onderhouden van het toestel.

## MONTAGE INSTRUCTIES (FIG. 01-05)

**Missende onderdelen:** Indien bepaalde onderdelen missen in de verpakking, controleer dan zorgvuldig het piepschuim en het toestel zelf. Sommige onderdelen (bouten, schroeven, etc.) zitten al bevestigd aan/in het toestel.

**Foutmelding:** Let er op dat alle kabels voorzichtig worden bevestigd. De aluminium pootjes van het console zijn zeer gevoelig en deze dienen recht te blijven. Mocht het console een foutmelding geven na de montage van het toestel dan kan het zijn dat de aluminium pootjes van het console schuin staan. Buig de aluminium pootjes weer recht, dit laat de foutmelding mogelijk verdwijnen.

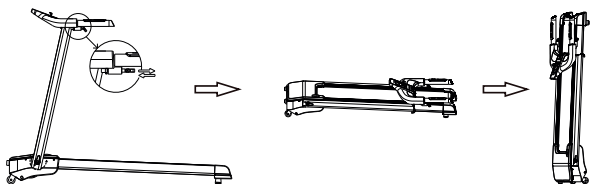
**Inbusbouten:** Zorg ervoor dat de inbusleutel goed in de bout zit voordat er kracht op de sleutel wordt gezet. Op deze manier wordt voorkomen dat de kop van de inbusbout wordt dolgedraaid.

## VERPLAATSEN EN AFSTELLEN

### Verplaatsen en opbergen

**LET OP!** Berg het toestel op in een droge ruimte en uit de buurt van kinderen. Zorg ervoor dat het toestel stabiel en veilig staat, zodat het toestel niet kan omvallen op kinderen of dieren.

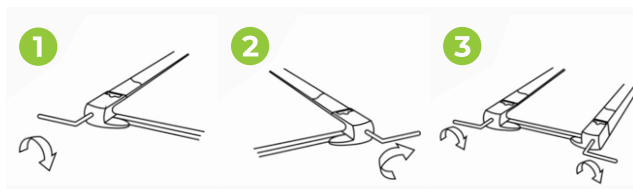
- Trek aan de pin bij het stuur van het console om het toestel in te klappen.
- Zorg ervoor dat de kabels niet bekneld raken.
- Plaats de loopband tegen een muur of berg hem op onder een bed of kast.



### Band afstellen

1. **Loopband wijkt af naar links:** Start de loopband, stel de snelheid in op 2 tot 3 km/u zonder de loopmat te belasten. Gebruik de inbusleutel om de schroef aan de linkerkant van het uiteinde een kwartslag naar rechts te draaien (1). Laat de loopband gedurende 1 tot 2 minuten zonder belasting draaien. Herhaal het proces totdat de loopmat precies in het midden zit.

2. **Loopband wijkt af naar rechts:** Start de loopband, stel de snelheid in op 2 tot 3 km/u zonder de loopmat te belasten. Gebruik de inbusleutel om de schroef aan de rechterkant van het uiteinde een kwartslag naar rechts te draaien (2). Laat de loopband gedurende 1 tot 2 minuten zonder belasting draaien. Herhaal het proces totdat de loopmat precies in het midden zit.
3. **Loopband vastgelopen:** Gebruik de inbusleutel om de schroef aan de rechterkant van het uiteinde een halve slag naar rechts te draaien en de schroef aan de linkerkant van het uiteinde ook een halve slag naar rechts te draaien. Herhaal het proces totdat de blokkering is opgelost (3).



## TRAINEN MET HARTSLAG

### Handsensoren

Dit VirtuFit fitnessstoestel is voorzien van handsensoren voor het meten van de hartslag. De handsensoren zitten bevestigd op het handvat en werken alleen als beide sensoren voor een langere periode worden vastgehouden. Voor een optimale werking is het belangrijk dat de handen licht vochtig zijn en constante druk uitoefenen op de sensoren. Te droge of te vochtige handen kunnen zorgen voor een afwijkende meting.

**LET OP!** Gebruik de handsensoren nooit in combinatie met een draadloze hartslagmeter om storing te voorkomen.

## TRAINEN MET FITNESS APPS

VirtuFit verleent geen service voor fitness-apps van derde partijen zoals Kinomap, iConsole, FitShow etc.. Mocht u problemen ondervinden met een fitness-app van een derde partij, neem dan contact met de desbetreffende app-ontwikkelaar.

### Instructie

- Om de QR-code te scannen met een Android of IOS telefoon of tablet is een QR-code scanner nodig. De app om QR-codes te scannen kan in de App Store of Google Play Store worden gedownload.

- Scan één van de QR-codes hieronder om direct naar de pagina in de App Store of Google Play Store te gaan waar de fitnessapp gedownload kan worden.
- Scan de QR-code aan de rechterkant om naar de handleiding van de fitnessapp te gaan. In de handleiding staat stap voor stap beschreven hoe de fitnessapp verbonden dient te worden met het toestel, hoe de fitnessapp werkt en welke mogelijkheden er zijn.

## Fitshow



APP STORE



GOOGLE PLAY



HANDLEIDING

## ONDERHOUD

*Veilig en effectief gebruik kan alleen worden bereikt als het toestel goed wordt gemonteerd en onderhouden. Het is uw verantwoordelijkheid om ervoor te zorgen dat het toestel regelmatig wordt onderhouden. Onderdelen die al zijn gebruikt en/of beschadigd, moeten worden vervangen voordat het toestel verder gebruikt wordt. Het toestel mag alleen binnen worden gebruikt en opgeborgen. Langdurige blootstelling aan verwerking en veranderingen in temperatuur/vochtigheid kunnen een ernstige impact hebben op de elektrische componenten en bewegende delen van het toestel. Haal altijd de stroomkabel van het toestel uit het stopcontact voordat het apparaat wordt schoongemaakt of onderhouden.*

### Dagelijks onderhoud

- Reinig en verwijder zweet en vocht na elk gebruik.
- Controleer of het toestel vrij is van stof en vuil.
- Gebruik geen agressieve schoonmaakmiddelen en zorg dat het toestel vochtvrij blijft.

### Halfjaarlijks onderhoud

- Inspecteer alle bouten en moeren in verband met bewegende delen van het toestel. Draai bouten en moeren

vast indien nodig en zoals vereist.

- Controleer de mobiliteit van bewegende onderdelen en componenten van het toestel. Gebruik siliconenspray indien nodig en zoals vereist.

### We raden aan het volgende te doen:

- Haal na elk gebruik het netsnoer uit het stopcontact, vooral als er kinderen aanwezig zijn.
- Maak de loopband na gebruik schoon.
- Gebruik een droge doek om het bedieningspaneel en gebieden rond de aan- en uitschakelaar te reinigen.
- Gebruik een zachte schone doek en reinigingsmiddel om hardnekkige vlekken en vuil op de loopband te verwijderen.
- Houd uw loopband op een veilige en droge plaats en uit de buurt van warmte en water.

### LET OP!

- *Elke reparatie moet door een professionele technicus worden uitgevoerd, tenzij anders aangegeven door de leverancier of fabrikant.*
- *Als er twee uur gebruik is gemaakt van de loopband, raden wij aan om tien minuten te wachten voordat het netsnoer uit het stopcontact wordt verwijderd. Dit is beter voor de levensduur van het toestel.*
- *Om uitglijden tijdens de training te vermijden dient de loopmat niet te los te zitten. Om het schuren tussen de roller en de loopmat te vermijden en te zorgen dat het toestel goed blijft functioneren moet de loopmat niet te strak zitten. De afstand tussen de loopplank en de loopmat kan afgesteld worden. De afstand tussen loopplank en de loopmat dient aan beide zijden 50 tot 75 mm te zijn.*

### Schoonmaak

Algemene reiniging van het apparaat zal de levensduur van het toestel verlengen. Houd het toestel schoon door regelmatig af te stoffen. Zorg ervoor dat het blootgestelde deel van de loopmat en de voetrails van de loopband aan beide kanten worden schoonmaakt.

**LET OP!** *Draag schone schoenen zodat de kans op vervuiling van het toestel vermindert. Haal minimaal één keer per jaar de motorkap eraf om het daaronder stofvrij te maken.*

## VEILIGHEIDSSLEUTEL

Trek de veiligheidssleutel eruit en de loopband stopt meteen. Alle vensters tonen "----", de zoemer zal drie keer een geluid maken "B-B

—”, daarna stopt de loopband. Bevestig het uiteinde van magneet van het veiligheidskoord aan de computer en de loopband zal weer in beweging komen.

## INSMEREN VAN DE LOOPBAND

De loopband is voorzien van een voorgesmeerde, onderhoudsarme loopmat. De slijtage, van de loopmat speelt een belangrijke rol in de functie en levensduur van de loopband, waardoor het periodieke smering vereist. Wij raden aan om de loopmat regelmatig te inspecteren. Neem contact met ons op zodra een beschadiging aan de loopmat wordt geconstateerd.

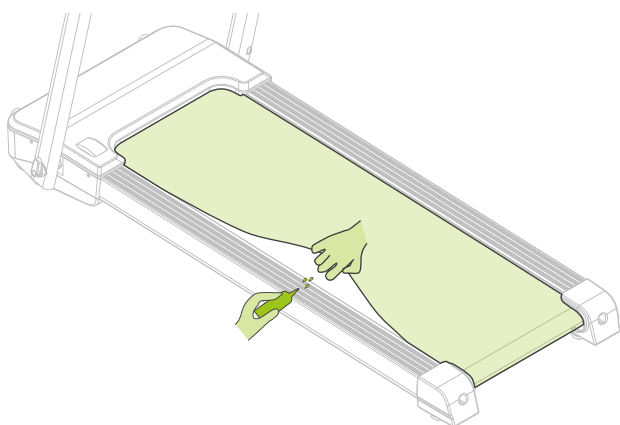
### Aanbevolen smering van de loopmat:

- **Weinig gebruik (minder dan 3 uur per week):** één keer per jaar
- **Gemiddeld gebruik (3 tot 5 uur per week):** om de zes maanden
- **Intensief gebruik (meer dan 5 uur per week):** om de drie maanden

**Als huisregel geldt:** Smeer indien de loopmat droog aanvoelt. Bij twijfel contact opnemen met de fabrikant. Aangeraden wordt om voor het insmeren van de loopmat vaseline (zonder zuren) of siliconenolie te gebruiken.

## Instructie

- Til de loopmat op.
- Verdeel twee tot drie druppels siliconenolie over de lengte van de loopmat.
- Start de loopband en laat deze drie minuten draaien zonder de loopmat te belasten (dat wil zeggen dat er niet op de loopmat wordt gestaan).



**LET OP! Regelmatig onderhoud verlengt de levensduur de loopband en voorkomt letsel!**

## PROBLEEMOPLOSSINGEN

**Snelheid klopt niet:** Neem foutcode “E03” als voorbeeld (de foutcodes volgen na de probleemoplossingen).

**Geen stroom:** Controleer of de zekering goed is aangesloten en of de sensorkabel op de juiste manier is verbonden met het console.

**Motor slaat op tilt:** Controleer of de motor aan vervanging toe is.

**Motor doorgebrand:** Controleer of het console ook is doorgebrand. Vervang de motor. Vervang ook het console als na de controle blijkt dat het console ook is doorgebrand.

**Hellingsfunctie werkt niet naar behoren:** Controleer of de motor van de hellingsfunctie en de 3-pins-kabel op de juiste manier zijn verbonden met het console en doorloop de volgende stappen:

- Verwijder de sensorkabel die is verbonden met het console, schakel het toestel in en houdt de kleine toets in de rechterhoek van het console twee seconden ingedrukt. De motor van de hellingsfunctie is bezig met een automatische detectie, waarbij het toestel naar de hoogste stand zal gaan. Na ca. drie minuten zakt het toestel naar de laagste stand.
- Als de motor van de hellingsfunctie op de laagste stand staat, is de automatische detectie klaar.
- Sluit na de automatische detectie het console weer aan, door de sensorkabel die er is uitgethaald tijdens de eerste stap, weer te verbinden met het console. Test of de hellingsfunctie werkt.
- Mocht het probleem hierdoor niet zijn verholpen, vervang het console.

**Stroomstoring:** Controleer of de sensorkabel goed is aangesloten.

**Schermschermweergave werkt niet naar behoren:** Schakel het toestel uit en herstart de motor. Schakel het toestel in en controleer of het scherm weer normaal is. Mocht het probleem hierdoor niet zijn verholpen, vervang het console.

**Geen schermweergave:** Controleer of de spanning goed is en of de voeding 8V is.

**LCD-display flitst:** Controleer of de stroom goed is en of de voeding 8V is.

**Verlicht display is niet helder:** Schakel het toestel uit en controleer of de sensorkabel goed is aangesloten. Schakel het toestel weer in en controleer of het verlichte display weer helder is. Mocht het probleem hierdoor niet zijn verholpen, vervang het console.

**USB-lezer speelt muziek niet af:** Test of de MP3-aansluiting werkt. Mocht deze ook niet naar behoren werken, open dan het console om te controleren of de kabels goed zijn verbonden met de versterker. Plaats de USB-stick opnieuw om te testen of de muziek wordt afgespeeld. Mocht het probleem hierdoor niet zijn verholpen, vervang het console.

**Veiligheidssleutel werkt niet naar behoren:** Controleer of de veiligheidssleutel goed is bevestigd. Open het console en controleer of de schakelaar en de kabel onbeschadigd zijn. Mocht het probleem hierdoor niet zijn verholpen, vervang het console.

**Knoppen op het console werken niet naar behoren:** Als één knop niet werkt, open het console en controleer of de toets onbeschadigd is. Is de toets beschadigd, vervang het console. Als meer dan één knop niet werkt, herstart het console en test of de knoppen weer werken. Mocht het probleem hierdoor niet zijn verholpen, vervang het console.

**Knoppen op handvat werken niet naar behoren:** Was je handen, droog goed af en test de knoppen opnieuw. Mocht het probleem hierdoor niet zijn verholpen, controleer of de kabels van het handvat onbeschadigd zijn en goed zijn verbonden met de aansluiting. Mocht het probleem hierdoor nog steeds niet zijn verholpen, vervang het handvat.

**Handsensoren werken niet naar behoren:** Was je handen, droog goed af en test de handsensoren opnieuw. Mocht het probleem hierdoor niet zijn verholpen, controleer of de kabels van het handvat onbeschadigd zijn en goed zijn verbonden met de aansluiting. Mocht het probleem hierdoor nog steeds niet zijn verholpen, vervang het handvat.

## FOUTCODES

**E01:** Signaal console mislukt.

- **Oplossing:** Controleer of de sensorkabel onbeschadigd en goed verbonden is. Als dit het geval is, vervang het console.

**E02:** De spanning van de motor wordt niet herkend door het console.

- **Oplossing:** Controleer of de positieve en negatieve kabel van de motor goed is verbonden met de terminal interface van het console. Als dat in orde is, controleer dan of de eindbuis beschadigd is (deze zit op het console en randapparatuur). Mocht het probleem hierdoor niet zijn verholpen, vervang het console of de motor.

**E03:** Snelheidsweergave wordt niet herkend door het console als de motor loopt.

- **Oplossing:** Controleer of de motor draait wanneer de loopband is gestart en de foutcode "E03" te zien is. Controleer of de lichtsensoren goed is. Controleer hierbij ook of de kabel daarvan goed vastzit en of de overgang tussen de lichtsensoren en de vier witte pinnen van het console goed verbonden zijn. Als al het bovenstaande goed is, kijk dan of de omgeving van de vier witte pinnen op de randapparatuur beschadigd zijn en overweeg dan het console en printplaat te vervangen. Als de motor niet draait wanneer de foutcode "E03" in beeld is, controleer of de motor stuk is en overweeg om de motor te vervangen.

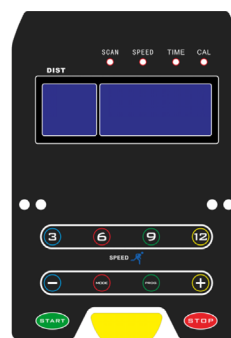
**E05:** Wanneer de motor draait, komt de spanning boven de beschermingswaarde.

- **Oplossing:** Controleer of de motor in goede staat is en of er iets klem zit tussen de draaiende loopmat, waardoor de motor de weerstand verhoogt. Als al het bovenstaande goed is, dient het console vervangen te worden.

**E07:** Signaal van de veiligheidssleutel wordt niet herkend door de computer, waardoor het display E07 of "--- --- ---" laat zien.

- **Oplossing:** Controleer of de magnetische delen van de veiligheidssleutel goed zijn bevestigd.

## CONSOLE (FIG. 06)



- **START:** Druk op de "START" -toets en de loopband start na drie seconden op 1 km/h.
- **+/-:** Druk op de "+" toets om het tempo te versnellen en op de "-" toets om het tempo te verlagen. De minimale snelheid is 1 km/u en de maximale snelheid is 12 km/h.
- **MODE:** Druk op de toets "MODE" en het display geeft "SPEED", "TIME" en "CALORIES" weer. Het display zal elke vijf seconden oplichten met de gegevens van "SPEED", "TIME" en "CALORIES".

## Functies

- **PROGRAM:** Druk op deze knop om een programma te kiezen van de handmatige modus: P1 --- P15 ---- "FAT".
- **MODE:** Wanneer de loopband klaar is, druk op deze knop om de modus te kiezen: tijdmodus aftellen, afstand modus aftellen, calorie-modus aftellen.
- **START:** Druk op deze knop om de loopband te starten, de loopband zal na drie seconden starten met de laagste snelheid of met de snelheid van het standaard programma.
- **STOP:** Druk op deze knop om de loopband te stoppen, de loopband zal langzaam tot stilstand komen.
- **SPEED ↕:** Stelt de snelheid in. Druk op deze knop om de snelheid aan te passen tijdens de training.
- **SPEED (3-6-9-12):** Past de snelheid in snelle stappen aan.
- **KNOP HANDGREEP (R):** Snelheidsknop.
- **KNOP HANDGREEP (L):** "START/STOP" knop.
- **HARTSLAGTEST:** De hartslag wordt na vijf seconden op het display weergegeven indien het handvat met twee handen wordt vastgehouden. Om de hartslag nauwkeuriger te meten, gelieve testen wanneer de loopband stopt en daarna de handvatten langer dan 30 seconden vasthouden. De hartslag die wordt weergegeven kan afwijken van de werkelijkheid.

## PROGRAMMA'S (FIG. 07)

De loopband beschikt over 12 programma's P1-P12. Druk op "PROC" wanneer het toestel in stand-by modus staat om de programma's in te stellen en druk op "START" om de loopband te starten. Druk na het inschakelen van de loopband direct op de knop "PROC" of druk twee keer op "STOP", zodat de loopband "OFF" aangeeft en in stand-by modus gaat om alle programma's te zien. De programma's zijn op pagina 9 te zien. De horizontale lijn staat voor de tijd en elke stip staat voor anderhalve minuut. De verticale lijn staat voor snelheid en elke stip staat voor 1 km/h. Elk programma duurt 30 minuten.

## TRAININGSRICHTLIJNEN (FIG. 08)

Een succesvol trainingsprogramma bestaat uit een warming-up, de training zelf en een cooling down. Voer de hele training minstens twee, maar bij voorkeur drie keer per week uit en houdt één dag rust tussen de trainingen. Na enkele maanden kan de trainingsintensiteit worden verhoogd tot bijvoorbeeld vier of vijf keer per week.

## Warming-up

Het doel van een warming-up is dat het lichaam voorbereid wordt op een training en het vermindert de kans op blessures. Warm het lichaam op in twee tot vijf minuten voordat er met een cardio- of krachttraining begonnen wordt. Doe oefeningen die de hartslag verhogen en de werkende spieren opwarmen. Voorbeelden van dit soort activiteiten zijn: vlot lopen, joggen, jumping jacks, touwtje springen en rennen op de plaats.

## Stretchen

Stretchen terwijl spieren warm zijn, is zeer belangrijk na een goede warming-up en cooling-down. Het vermindert de kans op blessures. Stretchoefeningen dienen gedurende 15 tot 30 seconden worden vastgehouden. Voorbeelden van stretchoefeningen zijn:

- Toe touch (pag. 10 - afb. 08-A)
- Inner thigh stretch (10 - afb. 08-B)
- Hamstring stretch (pag. 10 - afb. 08-C)
- Achilles stretch (pag. 10 - afb. 08-D)
- Side stretch (pag. 10 - afb. 08-E)

## Cooling-down

Het doel van de cooling-down is het lichaam aan het einde van de training terug te brengen naar de (bijna) normale ruststand. Een goede cooling-down vermindert langzaam uw hartslag en bevordert het herstel.

## INHALTE

---

Sicherheitshinweise	23
Bürgschaft	23
Anweisungen zum Einbau	24
Bewegen und Einstellen	24
Herzfrequenz-Training	24
Training mit Fitnessanwendungen	24
Wartung	25
Sicherheitsschlüssel	25
Schmierung des Förderbandes	26
Fehlersuche	26
Fehlercodes	26
Konsole	27
Programme	28
Trainingsrichtlinien	28

## SICHERHEITSHINWEISE

---

### ! WARNUNG!

**Konsultieren Sie Ihren Arzt, bevor Sie mit dem Training beginnen. Dies ist besonders wichtig für Menschen mit gesundheitlichen Problemen. Bitte lesen Sie alle Anweisungen, bevor Sie das Gerät benutzen. VirtuFit übernimmt keine Verantwortung für Verletzungen oder Sachschäden, die durch die Verwendung dieses Geräts entstehen. Bitte lesen Sie diese Anleitung sorgfältig durch, bevor Sie das Gerät zusammenbauen und/oder benutzen.**

- Vergewissern Sie sich, dass das Gerät richtig zusammengebaut ist und dass alle Schrauben und Muttern fest angezogen sind, bevor Sie es benutzen.
- Montieren Sie die Maschine mit mindestens zwei Personen.
- Schmieren Sie alle beweglichen Teile jährlich mit Vaseline (säurefrei) oder Silikon spray.
- Tragen Sie keine weite Kleidung, um zu vermeiden, dass Sie sich in beweglichen Teilen verfangen.
- Stellen Sie das Gerät auf einer festen, ebenen Fläche auf und benutzen Sie es.
- Tragen Sie immer saubere Sportschuhe, wenn Sie das Gerät benutzen.
- Halten Sie Kinder und Haustiere von dem Gerät fern, wenn Sie es benutzen.

- Achten Sie bei der Benutzung des Geräts auf Ihr Gleichgewicht.
- Stecken Sie Ihre Finger oder andere Gegenstände nicht in die beweglichen Teile.
- Konsultieren Sie vor dem Training Ihren Arzt, um die für Ihr Alter und Ihre körperliche Verfassung angemessene Häufigkeit, Dauer und Intensität des Trainings zu bestimmen. Brechen Sie das Training sofort ab, wenn Sie Übelkeit, Kurzatmigkeit, Ohnmacht, Kopfschmerzen, Brustschmerzen, Engegefühl oder andere Beschwerden verspüren.
- Halten Sie das Gerät nicht am Sitz fest, wenn Sie sich bewegen.
- Dieses Gerät darf nur von einer Person gleichzeitig benutzt werden.
- Das Gerät ist für den Hausgebrauch konzipiert und das maximale Benutzergewicht beträgt 120 kg.
- Lassen Sie hinter der Maschine 1-2 Meter Platz, um Unfälle zu vermeiden.
- Stellen Sie das Gerät auf eine saubere, ebene Fläche. Stellen Sie das Gerät nicht auf einen dicken Teppich, da dies die Belüftung des Geräts behindern kann. Stellen Sie das Gerät nicht im Freien oder in der Nähe von Wasser auf.
- Halten Sie den Aufbewahrungsort trocken, sauber und eben, um Schäden zu vermeiden. Verwenden Sie das Gerät nicht für andere Zwecke als zum Training.
- Verwenden Sie das Gerät nur in einer Umgebung, in der die Umgebungstemperatur zwischen 10°C und 35°C liegt. Lagern Sie das Gerät nur in einer Umgebung, in der die Temperatur zwischen 5°C und 45°C liegt.

## BÜRGSCHAFT

---

**Gewährleistungsansprüche sind ausgeschlossen, wenn die Ursache des Mangels die Folge ist von:**

- Wartungs- und Reparaturarbeiten, die nicht von einem Vertragshändler durchgeführt wurden.
- Unsachgemäßer Gebrauch, Nachlässigkeit und/oder schlechte Wartung.
- Wenn das Gerät nicht gemäß den Anweisungen des Herstellers gewartet wurde.

## MONTAGEANLEITUNG (FIG. 01-05)

**Fehlende Teile:** Sollten Teile in der Verpackung fehlen, überprüfen Sie bitte sorgfältig den Styroporschaum und das Gerät selbst. Einige Teile (Bolzen, Schrauben, usw.) sind bereits am Gerät angebracht.

**Fehlermeldung:** Vergewissern Sie sich, dass alle Kabel sorgfältig angebracht sind. Die Aluminiumfüße der Konsole sind sehr empfindlich und müssen gerade gehalten werden. Wenn die Konsole eine Fehlermeldung ausgibt, nachdem das Gerät montiert wurde, sind die Aluminiumfüße der Konsole möglicherweise verbogen. Das Richten der Aluminiumfüße kann dazu führen, dass die Fehlermeldung verschwindet.

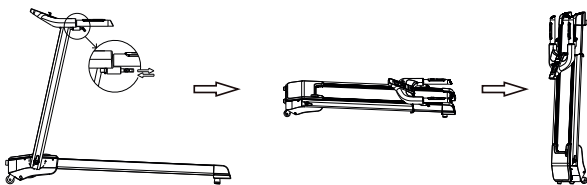
**Sechskant-Schrauben:** Achten Sie darauf, dass der Sechskantschlüssel in die Schraube gedrückt wird, bevor Sie Kraft anwenden. Dadurch wird verhindert, dass sich der Kopf der Innensechskantschraube dreht.

## TRANSPORT UND EINSTELLUNG

### Transport und Lagerung

**VORSICHT!** Lagern Sie das Werkzeug an einem trockenen Ort und außerhalb der Reichweite von Kindern. Achten Sie darauf, dass das Werkzeug stabil und sicher steht, damit es nicht auf Kinder oder Tiere fallen kann.

- Ziehen Sie den Stift an der Griffstange der Konsole, um das Gerät einzuklappen.
- Achten Sie darauf, dass die Kabel nicht eingeklemmt werden.
- Stellen Sie das Laufband an eine Wand oder verstauen Sie es unter einem Bett oder in einem Schrank.

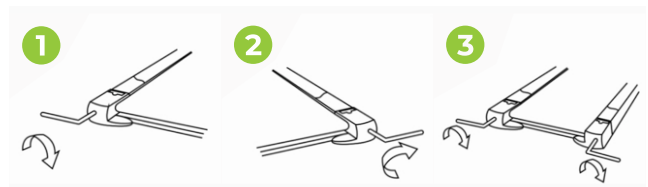


### Einstellen des Laufbandes

1. **Das Laufband neigt sich nach links:** Schalten Sie das Laufband ein, stellen Sie die Geschwindigkeit auf 2 bis 3 km/h ein, ohne zu forcieren. Drehen Sie die Schraube an der linken Seite des Laufbandes mit dem Inbusschlüssel eine Vierteldrehung nach rechts (1). Lassen Sie das Laufband 1 bis 2 Minuten lang ohne Belastung laufen. Wiederholen Sie den Vorgang, bis sich das

Laufband genau in der Mitte befindet.

2. **Das Laufband dreht sich nach rechts:** Starten Sie das Laufband, stellen Sie die Geschwindigkeit auf 2 bis 3 km/h ohne Belastung des Laufbandes ein. Drehen Sie mit dem Sechskantschlüssel die Schraube auf der rechten Seite des Laufbandendes eine Vierteldrehung nach rechts (2). Lassen Sie das Laufband 1 bis 2 Minuten lang ohne Belastung laufen.
3. **Das Laufband hat sich verklemmt:** Drehen Sie mit dem Inbusschlüssel die Schraube auf der rechten Seite des Endes eine halbe Umdrehung nach rechts und die Schraube auf der linken Seite des Endes ebenfalls eine halbe Umdrehung nach rechts. Wiederholen Sie den Vorgang, bis die Blockade behoben ist (3).



## TRAINING MIT HERZFREQUENZ

### Handsensoren

Dieses VirtuFit Fitnessgerät ist mit Handsensoren zur Messung der Herzfrequenz ausgestattet. Die Handsensoren sind am Handgriff befestigt und funktionieren nur, wenn beide Sensoren über einen längeren Zeitraum gehalten werden. Für eine optimale Leistung ist es wichtig, dass die Hände leicht feucht sind und einen konstanten Druck auf die Sensoren ausüben. Zu trockene oder zu nasse Hände können zu abnormalen Messwerten führen.

**VORSICHT!** Verwenden Sie die Handsensoren niemals in Kombination mit einem drahtlosen Gerät, um Interferenzen zu vermeiden.

## TRAINING MIT FITNESSANWENDUNGEN

VirtuFit bietet keinen Service für Fitnessanwendungen von Drittanbietern wie Kinomap, iConsole, FitShow usw. Wenn Sie Probleme mit einer Fitness-Anwendung eines Drittanbieters haben, wenden Sie sich bitte an den Entwickler der betreffenden Anwendung.

### Anleitung

- Um den QR-Code mit einem Android- oder IOS-Telefon oder



-Tablet zu scannen, ist ein QR-Code-Scanner erforderlich. Die App zum Scannen von QR-Codes kann im App Store oder im Google Play Store heruntergeladen werden.

- Scannen Sie einen der unten stehenden QR-Codes, um direkt zur Seite des App Store oder Google Play Store zu gelangen, wo die Fitness-App heruntergeladen werden kann.
- Scannen Sie den QR-Code auf der rechten Seite, um das Handbuch für die Fitness-App aufzurufen. Das Handbuch beschreibt Schritt für Schritt, wie Sie die Fitness-App mit dem Gerät verbinden, wie die Fitness-App funktioniert und welche Möglichkeiten sie bietet.

### Fitshow



APP STORE



GOOGLE PLAY



ANLEITUNG

## WARTUNG

Eine sichere und effiziente Nutzung kann nur erreicht werden, wenn das Gerät ordnungsgemäß installiert und gewartet wird. Es liegt in Ihrer Verantwortung, dafür zu sorgen, dass das Gerät regelmäßig gewartet wird. Benutzte und/oder beschädigte Teile müssen ersetzt werden, bevor das Gerät wieder benutzt wird. Das Gerät sollte nur in Innenräumen verwendet und gelagert werden. Wenn das Gerät über einen längeren Zeitraum hinweg Witterungseinflüssen sowie Temperatur- und Feuchtigkeitsschwankungen ausgesetzt ist, kann dies schwerwiegende Auswirkungen auf die elektrischen Komponenten und beweglichen Teile des Geräts haben. Ziehen Sie immer den Netzstecker aus dem Gerät, bevor Sie es reinigen oder warten.

### Tägliche Wartung

- Reinigen Sie das Gerät nach jedem Gebrauch und entfernen Sie Schweiß und Feuchtigkeit.
- Prüfen Sie, ob das Gerät frei von Staub und Schmutz ist.
- Verwenden Sie keine aggressiven Reinigungsmittel und halten Sie das Gerät von Feuchtigkeit fern.

### Halbjährliche Wartung

- Überprüfen Sie alle Schrauben und Muttern, die mit den beweglichen Teilen des Geräts verbunden sind. Ziehen Sie die Schrauben und Muttern nach Bedarf und Bedarf an.
- Überprüfen Sie die Beweglichkeit der beweglichen Teile und Komponenten des Geräts. Bei Bedarf und Eignung Silikonspray verwenden.

### Wir empfehlen Folgendes:

- Ziehen Sie nach jedem Gebrauch den Netzstecker, insbesondere wenn Kinder anwesend sind.
- Reinigen Sie das Laufband nach dem Gebrauch.
- Verwenden Sie ein trockenes Tuch, um das Bedienfeld und die Bereiche um den Netzschalter zu reinigen.
- Verwenden Sie ein weiches, sauberes Tuch und Reinigungsmittel, um hartnäckige Flecken und Schmutz vom Laufband zu entfernen.
- Bewahren Sie Ihr Laufband an einem sicheren, trockenen Ort auf, der von Hitze und Wasser geschützt ist.

### ACHTUNG!

- **Alle Reparaturen müssen von einem professionellen Techniker durchgeführt werden, es sei denn, der Lieferant oder Hersteller schreibt etwas anderes vor.**
- **Wenn Sie das Laufband zwei Stunden lang benutzt haben, empfehlen wir Ihnen, zehn Minuten zu warten, bevor Sie den Stecker aus der Steckdose ziehen. Dies ist besser für die Haltbarkeit des Geräts.**
- **Um ein Verrutschen während des Trainings zu vermeiden, sollte der Laufbandgurt nicht zu locker sein. Um einen Abrieb zwischen der Rolle und dem Laufband zu vermeiden und einen ordnungsgemäßen Betrieb des Geräts zu gewährleisten, sollte das Laufband nicht zu fest gespannt sein. Der Abstand zwischen der Stufe und dem Laufband kann eingestellt werden. Der Abstand zwischen der Stufe und dem Laufband sollte auf beiden Seiten 50 bis 75 mm betragen.**

### Reinigung

Eine allgemeine Reinigung des Geräts verlängert seine Lebensdauer. Halten Sie das Gerät sauber, indem Sie es regelmäßig abstauben. Achten Sie darauf, den freiliegenden Bereich des Laufbandes und die Fußstützen auf beiden Seiten zu reinigen.

**VORSICHT! Tragen Sie saubere Schuhe, um das Risiko einer Verschmutzung des Geräts zu verringern. Nehmen Sie mindestens einmal im Jahr die Abdeckung ab, um den Staub zu entfernen.**

## SICHERHEITSSCHLÜSSEL

Wenn Sie den Sicherheitsschlüssel abziehen, stoppt das Laufband sofort. Alle Fenster zeigen "---" an, der Summer ertönt dreimal "B-B-", und das Laufband stoppt. Schließen Sie das Ende des Sicherheitskabels an den Computer an, und das Laufband läuft wieder an.

## STARTEN DES LAUFBANDES

Das Laufband ist mit einem wartungsarmen, vorgeschmierten Laufband ausgestattet. Die Abnutzung des Laufbandes spielt eine wichtige Rolle für den Betrieb und die Lebensdauer des Laufbandes, daher sollte es regelmäßig geschmiert werden. Wir empfehlen Ihnen, das Laufband regelmäßig zu überprüfen. Wenden Sie sich an uns, sobald Sie eine Beschädigung des Laufbandes feststellen.

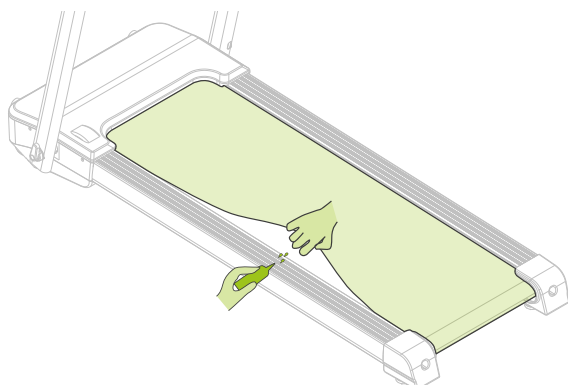
### Empfohlene Schmierung des Laufbandes:

- **Geringe Nutzung (weniger als 3 Stunden pro Woche):** einmal pro Jahr
- **Mittlere Nutzung (3 bis 5 Stunden pro Woche):** alle sechs Monate
- **Starke Nutzung (mehr als 5 Stunden pro Woche):** alle drei Monate.

**Als allgemeine Regel gilt:** Schmieren Sie die Matte, wenn sie trocken erscheint. Im Zweifelsfall wenden Sie sich bitte an den Hersteller. Zum Schmieren des Laufbandes wird Vaseline (säurefrei) oder Silikonöl empfohlen.

## Anleitung

- Heben Sie die Matte an.
- Tragen Sie zwei bis drei Tropfen Silikonöl über die gesamte Länge des Laufbandes auf.
- Schalten Sie das Laufband ein und laufen Sie drei Minuten lang, ohne das Laufband zu belasten (d.h. ohne auf dem Laufband zu stehen).



**HINWEIS!** Regelmäßige Wartung verlängert die Lebensdauer des Laufbandes und beugt Verletzungen vor!

## FEHLERSUCHE

**Abnormale Geschwindigkeit:** Nehmen Sie den Fehlercode "E03" als Beispiel (Fehlercodes folgen nach der Fehlersuche).

**Kein Strom:** Prüfen Sie, ob die Sicherung angeschlossen ist und ob das Sensorkabel an die Konsole angeschlossen ist.

**Motorausfall:** Prüfen Sie, ob der Motor ausgetauscht werden muss.

**Motor durchgebrannt:** Prüfen Sie, ob die Konsole ebenfalls durchgebrannt ist. Tauschen Sie den Motor aus. Wenn die Prüfung ergibt, dass die Konsole ebenfalls durchgebrannt ist, ersetzen Sie sie.

**Die Neigungsfunktion funktioniert nicht richtig:** Prüfen Sie, ob der Neigungsmotor und das 3-polige Kabel richtig an die Konsole angeschlossen sind, und gehen Sie wie folgt vor:

- Entfernen Sie das Kabel vom Sensor, der mit der Konsole verbunden ist, schalten Sie das Gerät ein und drücken Sie die kleine Taste in der rechten Ecke der Konsole für zwei Sekunden. Der Kippmotor wird automatisch erkannt und das Gerät erreicht die höchste Position. Nach etwa drei Minuten fährt das Gerät in die niedrigste Position.
- Wenn der Kippmotor die niedrigste Position erreicht hat, ist die automatische Erkennung abgeschlossen. Schließen Sie die.
- Konsole nach der automatischen Erkennung wieder an, indem Sie das Sensorkabel, das im ersten Schritt entfernt wurde, wieder einstecken.
- Wenn das Problem dadurch nicht behoben wird, tauschen Sie die Konsole aus.

**Stromausfall:** Prüfen Sie, ob das Sensorkabel richtig angeschlossen ist.

**Die Bildschirmanzeige funktioniert nicht richtig:** Schalten Sie das Gerät aus und starten Sie den Motor neu. Schalten Sie das Gerät ein und prüfen Sie, ob die Anzeige wieder normal funktioniert. Wenn das Problem dadurch nicht behoben wird, tauschen Sie die Konsole aus.

**Keine Anzeige:** Prüfen Sie, ob die Spannung korrekt ist und ob die Stromversorgung 8 V beträgt.

**LCD-Bildschirm blinkt:** Prüfen Sie, ob die Stromversorgung eingeschaltet ist und ob die Spannung 8 V beträgt.

**Unklare Lichtanzeige:** Schalten Sie das Gerät aus und prüfen Sie,

ob das Sensorkabel richtig angeschlossen ist. Schalten Sie das Gerät wieder ein und überprüfen Sie, ob die Leuchtanzeige wieder klar ist. Wenn das Problem dadurch nicht behoben wird, tauschen Sie die Konsole aus.

**Der USB-Player spielt keine Musik ab:** Überprüfen Sie, ob die MP3-Verbindung funktioniert. Wenn dies nicht der Fall ist, öffnen Sie die Konsole, um zu prüfen, ob die Kabel richtig an den Verstärker angeschlossen sind. Stecken Sie das USB-Laufwerk wieder ein und prüfen Sie, ob die Musik abgespielt wird. Wenn das Problem dadurch nicht behoben wird, tauschen Sie die Konsole aus.

**Der Dongle funktioniert nicht richtig:** Prüfen Sie, ob der Dongle richtig angeschlossen ist. Öffnen Sie die Konsole und überprüfen Sie, ob der Schalter und das Kabel nicht beschädigt sind. Wenn das Problem dadurch nicht behoben wird, tauschen Sie die Konsole aus.

**Die Tasten der Konsole funktionieren nicht richtig:** Wenn eine Taste nicht funktioniert, öffnen Sie die Konsole und überprüfen Sie, ob die Taste nicht beschädigt ist. Wenn die Taste beschädigt ist, tauschen Sie die Konsole aus. Wenn mehr als eine Taste nicht funktioniert, starten Sie die Konsole neu und prüfen Sie, ob die Tasten wieder funktionieren. Wenn das Problem dadurch nicht behoben werden kann, tauschen Sie den Griff aus.

**Die Tasten am Griff funktionieren nicht richtig:** Waschen Sie Ihre Hände, trocknen Sie sie gründlich ab und testen Sie die Tasten erneut. Wenn sich das Problem dadurch nicht beheben lässt, prüfen Sie, ob die Kabel des Griffs nicht beschädigt sind und ob sie richtig mit dem Anschluss verbunden sind. Wenn das Problem dadurch immer noch nicht behoben ist, tauschen Sie den Griff aus.

**Die Handsensoren funktionieren nicht richtig:** Waschen Sie Ihre Hände, trocknen Sie sie gut ab und testen Sie die Handsensoren erneut. Lässt sich das Problem dadurch nicht beheben, überprüfen Sie, ob die Kabel des Handgriffs nicht beschädigt sind und ob sie richtig an die Buchse angeschlossen sind. Wenn das Problem dadurch immer noch nicht behoben ist, tauschen Sie den Griff aus.

## FEHLERCODES

**E01:** Konsolensignal fehlgeschlagen.

- **Prüfung:** Prüfen Sie, ob das Sensorkabel nicht beschädigt ist und ob es richtig angeschlossen ist. Ist dies der Fall, die Konsole austauschen.

**E02:** Die Konsole erkennt die Motorleistung nicht.

- **Prüfen:** Prüfen Sie, ob das Plus- und Minuskabel des Motors

korrekt an die Schnittstelle der Konsole angeschlossen sind. Wenn dies der Fall ist, prüfen Sie, ob die Stromversorgungsröhre (an der Konsole und den Peripheriegeräten) nicht beschädigt ist. Wenn das Problem dadurch nicht behoben wird, tauschen Sie die Konsole oder den Motor aus.

**E03:** Die Geschwindigkeitsanzeige wird von der Konsole nicht erkannt, wenn der Motor läuft.

- **Prüfen:** Vergewissern Sie sich, dass der Motor läuft, wenn das Laufband eingeschaltet ist, und dass der Fehlercode "E03" angezeigt wird. Prüfen Sie, ob der Lichtsensor ordnungsgemäß funktioniert. Prüfen Sie, ob das Lichtsensorkabel fest sitzt und ob die Verbindung zwischen dem Lichtsensor und den vier weißen Stiften an der Konsole richtig angeschlossen ist. Wenn alle oben genannten Punkte korrekt sind, überprüfen Sie den Bereich der vier weißen Stifte auf der Peripherieeinheit auf Schäden und erwägen Sie den Austausch der Konsole und der Leiterplatte. Wenn der Motor nicht funktioniert, wenn der Fehlercode "E03" angezeigt wird, prüfen Sie, ob der Motor defekt ist und tauschen Sie ihn aus.

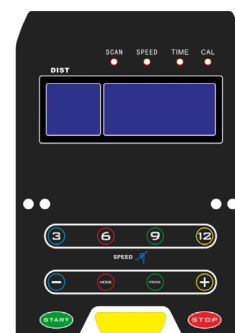
**E05:** Wenn der Motor läuft, ist die Spannung höher als der Schutzwert.

- **Lösung:** Prüfen Sie, ob der Motor in gutem Zustand ist und ob nichts zwischen dem rotierenden Schuh und dem Motor eingeklemmt ist, was den Widerstand erhöht. Wenn dies der Fall ist, tauschen Sie die Konsole aus.

**E07:** Das Signal des Sicherheitsschlüssels wird vom Computer nicht erkannt, so dass auf dem Display E07 oder "--- ---" angezeigt wird.

- **Lösung:** Prüfen Sie, ob die magnetischen Teile des Sicherheitsschlüssels sicher befestigt sind.

## CONSOLE (FIG. 06)



- **START:** Drücken Sie die Taste "START" und das Laufband startet nach drei Sekunden mit 1 km/h.
- **+/-:** D Drücken Sie die "+"-Taste, um die Geschwindigkeit zu erhöhen, und die "-"-Taste, um die Geschwindigkeit

zu verringern. Die Mindestgeschwindigkeit beträgt 1 km/h und die Höchstgeschwindigkeit 12 km/h.

- **MODE:** Drücken Sie die "MODE"-Taste und das Display zeigt "SPEED", "TIME" und "CALORIES" an. Die Anzeige leuchtet alle fünf Sekunden mit den Daten "SPEED", "TIME" und "CALORIES" auf.

## Functies

- **PROGRAM:** Drücken Sie diese Taste, um ein Programm im manuellen Modus auszuwählen: P1 --- P15 ---- "FAT".
- **MODE:** Wenn das Laufband bereit ist, drücken Sie diese Taste, um den Modus zu wählen: Countdown im Zeitmodus, Countdown im Streckenmodus, Countdown im Kalorienmodus.
- **START:** Drücken Sie diese Taste, um das Laufband zu starten. Nach drei Sekunden startet das Laufband mit der niedrigsten Geschwindigkeit oder der Standardprogrammgeschwindigkeit.
- **STOP:** Drücken Sie diese Taste, um das Laufband anzuhalten. Das Laufband wird langsam angehalten.
- **SPEED  $\uparrow/\downarrow$ :** Stellt die Geschwindigkeit ein. Drücken Sie diese Taste, um die Geschwindigkeit während Ihres Trainings einzustellen.
- **SPEED (3-6-9-12):** Zum Einstellen der Geschwindigkeit in schnellen Schritten.
- **HANDLE BUTTON (R):** Geschwindigkeitsknopf.
- **HANDLE BUTTON (L):** START/STOP-Taste.
- **HEART RATE TEST:** Die Herzfrequenz wird nach fünf Sekunden auf dem Display angezeigt, wenn der Handgriff mit beiden Händen gehalten wird. Um die Herzfrequenz genauer zu messen, führen Sie den Test bitte durch, wenn das Laufband stoppt, und halten Sie dann die Griffe länger als 30 Sekunden. Die angezeigte Herzfrequenz kann von der tatsächlichen Herzfrequenz abweichen.

## PROGRAMME (FIG. 07)

Das Laufband verfügt über 12 Programme P1-P12. Drücken Sie "PROG", wenn sich das Gerät im Standby-Modus befindet, um die Programme einzustellen und drücken Sie "START", um das Laufband einzuschalten. Nach dem Einschalten des Laufbandes drücken Sie direkt die "PROG"-Taste oder drücken Sie zweimal "STOP" und das Laufband zeigt "OFF" an und geht in den Schlafmodus, um alle Programme anzuzeigen. Die Programme sind auf Seite 9 dargestellt. Die horizontale Linie stellt die Zeit dar, und jeder Punkt steht für eineinhalb Minuten. Die vertikale Linie steht für die Geschwindigkeit, und jeder Punkt steht für 1 km/h. Jedes Programm dauert 30 Minuten.

## TRAININGSRICHTLINIEN (FIG. 08, A-E)

Ein erfolgreiches Trainingsprogramm umfasst ein Aufwärmprogramm, das eigentliche Training und ein Abkühlprogramm. Führen Sie das komplette Trainingsprogramm mindestens zweimal, besser jedoch dreimal pro Woche durch und halten Sie einen Ruhetag zwischen den Trainingseinheiten ein. Nach einigen Monaten kann die Intensität des Trainings erhöht werden, zum Beispiel auf vier- oder fünfmal pro Woche.

### Das Aufwärmen

Das Aufwärmen dient dazu, den Körper auf das Training vorzubereiten und das Verletzungsrisiko zu verringern. Wärmen Sie Ihren Körper zwei bis fünf Minuten lang auf, bevor Sie mit einem Ausdauer- oder Krafttraining beginnen. Machen Sie Übungen, die die Herzfrequenz erhöhen und die arbeitenden Muskeln aufwärmen. Beispiele für diese Art von Aktivität sind Laufen, Joggen, Hampelmänner, Hüpfen und Laufen auf der Stelle.

### Dehnen

Dehnen, während die Muskeln warm sind, ist nach einem guten Aufwärm- und Abkühltraining sehr wichtig. Dadurch wird das Verletzungsrisiko verringert. Dehnungsübungen sollten 15-30 Sekunden lang gehalten werden. Hier sind einige Beispiele für Dehnungsübungen:

- Zehentastatur (Seite 10 - Fig. 08-A)
- Innere Oberschenkeldehnung (Seite 10 - Fig. 08-B)
- Dehnung der Kniesehne (Seite 10 - Fig. 08-C)
- Achillesfersendehnung (Seite 10 - Fig. 08-D)
- Seitliche Dehnung (Seite 10 - Fig. 08-E)

### Abkühlung

Der Zweck des Cool-downs besteht darin, den Körper am Ende des Trainings in seine (fast) normale Ruheposition zu bringen. Ein gutes Cool-down senkt langsam die Herzfrequenz und fördert die Regeneration.

## SOMMAIRE

Consignes de sécurité	29
Garanties	29
Instructions de montage	30
Déplacement et ajustement	30
Entraînement avec la fréquence cardiaque	30
Entraînement avec des applications de fitness	30
Instructions d'entretien	31
Clé de sécurité	31
Graissage du tapis roulant	32
Dépannage	32
Codes d'erreur	33
Console	33
Programmes	34
Directives de formation	34

## CONSIGNES DE SÉCURITÉ

### ⚠ AVERTISSEMENT

**Consultez votre médecin avant de commencer à faire de l'exercice. Ceci est particulièrement important pour les personnes ayant des problèmes de santé. Veuillez lire toutes les instructions avant d'utiliser la machine. VirtuFit n'assume aucune responsabilité pour les blessures ou les dommages matériels résultant de l'utilisation de cet équipement. Veuillez lire attentivement ce manuel avant d'assembler et/ou d'utiliser la machine.**

- Assurez-vous que la machine est correctement assemblée et que tous les écrous et boulons sont bien serrés avant de l'utiliser.
- Montez la machine avec au moins deux personnes.
- Lubrifiez chaque année toutes les pièces mobiles avec de la vaseline (non acide) ou un spray au silicone.
- Ne portez pas de vêtements amples pour éviter qu'ils ne se prennent dans les pièces mobiles.
- Installez et utilisez l'appareil sur une surface solide et plane.
- Portez toujours des chaussures de sport propres lorsque vous utilisez l'appareil.
- Tenez les enfants et les animaux domestiques à l'écart de l'appareil pendant son utilisation.
- Maintenez votre équilibre lorsque vous utilisez l'appareil.
- Ne placez pas vos doigts ou d'autres objets dans les parties mobiles.
- Avant de vous entraîner, consultez votre médecin afin de déterminer la fréquence, la durée et l'intensité d'entraînement appropriées à votre âge et à votre condition physique. Arrêtez immédiatement l'entraînement si vous ressentez des nausées, un essoufflement, un évanouissement, des maux de tête, des douleurs thoraciques, une oppression ou tout autre malaise.
- Ne tenez pas la machine par le siège lors des déplacements.
- Cet appareil ne doit être utilisé que par une seule personne à la fois.
- Cette machine est conçue pour un usage domestique et le poids maximal de l'utilisateur est de 120 kg.
- Laissez 1 à 2 mètres d'espace derrière la machine pour éviter les accidents.
- Placez la machine sur une surface propre et plane. Ne le posez pas sur un tapis épais, qui pourrait gêner la ventilation de l'appareil. Ne placez pas l'appareil à l'extérieur ou près de l'eau.
- Maintenez l'emplacement de stockage sec, propre et de niveau pour éviter tout dommage. Il est interdit d'utiliser l'appareil à des fins autres que la formation.
- Utilisez l'appareil uniquement dans un environnement dont la température ambiante est comprise entre 10 °C et 35 °C. Conservez l'appareil uniquement dans un environnement dont la température est comprise entre 5 °C et 45 °C.

## GARANTIE

**Les demandes de garantie sont exclues si la cause du défaut est le résultat de:**

- Travaux d'entretien et de réparation non effectués par un concessionnaire officiel.
- En cas d'utilisation inappropriée, de négligence et/ou de mauvais entretien.
- Le fait de ne pas entretenir l'appareil conformément aux instructions du fabricant.

## INSTRUCTIONS DE MONTAGE (FIG. 01-05)

**Des pièces manquantes:** Si certaines pièces manquent dans l'emballage, vérifiez soigneusement la mousse de polystyrène et l'appareil lui-même. Certaines pièces (boulons, vis, etc.) sont déjà fixées à l'appareil.

**Message d'erreur:** Veillez à ce que tous les câbles soient fixés avec soin. Les pieds en aluminium de la console sont très sensibles et doivent rester droits. Si la console donne un message d'erreur après le montage de la machine, il se peut que les pieds en aluminium de la console soient pliés. Redressez les pieds en aluminium, cela peut faire disparaître le message d'erreur.

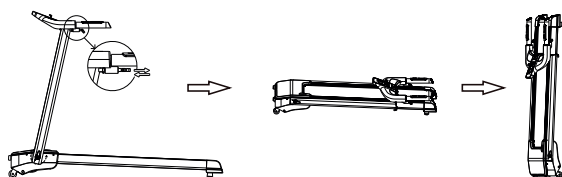
**Boulons à tête hexagonale:** Assurez-vous que la clé hexagonale est bien enfoncée dans le boulon avant d'appliquer la force. Cela empêchera la tête du boulon à douille de tourner.

## DÉPLACEMENT ET AJUSTEMENT

### Déménagement et stockage

**ATTENTION!** Rangez l'outil dans un endroit sec, hors de portée des enfants. Assurez-vous que l'appareil est stable et sûr, afin qu'il ne puisse pas tomber sur des enfants ou des animaux.

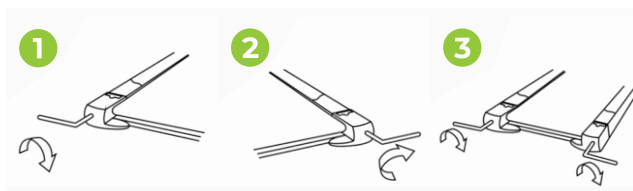
- Tirez la goupille sur le guidon de la console pour replier l'appareil.
- Ne pincez pas les câbles.
- Placez le tapis de course contre un mur ou rangez-le sous un lit ou une armoire.



### Réglage du tapis roulant

1. **Le tapis roulant dévie vers la gauche:** Mettez le tapis de course en marche, réglez la vitesse sur 2 à 3 km/h sans forcer. Utilisez la clé Allen pour tourner la vis située sur le côté gauche de l'extrémité d'un quart de tour vers la droite (1). Faites marcher le tapis roulant pendant 1 à 2 minutes sans charge. Répétez le processus jusqu'à ce que le tapis roulant soit exactement au milieu.

2. **Le tapis roulant dévie vers la droite:** Démarrez le tapis roulant, réglez la vitesse sur 2 à 3 km/h sans charge sur le tapis roulant. À l'aide de la clé hexagonale, tournez la vis située sur le côté droit de l'extrémité d'un quart de tour vers la droite (2). Faites marcher le tapis roulant pendant 1 à 2 minutes sans charge.
3. **Le tapis roulant s'est bloqué:** Utilisez la clé Allen pour tourner la vis du côté droit de l'extrémité d'un demi-tour vers la droite et la vis du côté gauche de l'extrémité d'un demi-tour vers la droite également. Répétez le processus jusqu'à ce que le blocage soit résolu (3)



## ENTRAÎNEMENT AVEC LA FRÉQUENCE CARDIAQUE

### Capteurs de main

Cet appareil de fitness VirtuFit est équipé de capteurs manuels permettant de mesurer la fréquence cardiaque. Les capteurs manuels sont fixés à la poignée et ne fonctionnent que si les deux capteurs sont maintenus pendant une longue période. Pour une performance optimale, il est important que les mains soient légèrement humides et exercent une pression constante sur les capteurs. Des mains trop sèches ou trop humides peuvent donner lieu à des lectures anormales.

**ATTENTION!** N'utilisez jamais les capteurs manuels en combinaison avec un appareil sans fil afin d'éviter toute interférence.

## ENTRAÎNEMENT AVEC DES APPS DE FITNESS

VirtuFit ne fournit pas de service pour les applications de fitness tierces telles que Kinomap, iConsole, FitShow etc. Si vous rencontrez des problèmes avec une application de fitness tierce, veuillez contacter le développeur de l'application en question.

### Instruction

- Pour scanner le code QR avec un téléphone ou une tablette Android ou IOS, un scanner de code QR est nécessaire. L'application permettant de scanner les codes QR peut être téléchargée sur l'App Store ou le Google Play Store.
- Scannez l'un des codes QR ci-dessous pour accéder directement à la page de l'App Store ou du Google Play Store où l'application

de fitness peut être téléchargée.

- Scannez le code QR à droite pour accéder au manuel de l'application de fitness. Le manuel décrit étape par étape comment connecter l'application de fitness à l'appareil, comment l'application de fitness fonctionne et quelles sont ses possibilités.

### Fitshow



APP STORE



GOOGLE PLAY



MANUEL

## ENTRETIEN

*Une utilisation sûre et efficace ne peut être obtenue que si l'appareil est correctement installé et entretenu. Il est de votre responsabilité de veiller à ce que l'appareil soit entretenu régulièrement. Les pièces qui ont été utilisées et/ou endommagées doivent être remplacées avant toute nouvelle utilisation de l'appareil. L'appareil doit être utilisé et rangé uniquement à l'intérieur. Une exposition à long terme aux intempéries et aux changements de température/humidité peut avoir un impact sérieux sur les composants électriques et les pièces mobiles de l'appareil. Débranchez toujours le câble d'alimentation de l'appareil avant de le nettoyer ou de l'entretenir.*

### Entretien quotidien

- Nettoyez et éliminez la sueur et l'humidité après chaque utilisation.
- Vérifiez que l'appareil est exempt de poussière et de saleté.
- N'utilisez pas de produits de nettoyage agressifs et maintenez l'appareil à l'abri de l'humidité.

### Entretien semestriel

- Inspectez tous les boulons et écrous liés aux parties mobiles de l'unité. Serrez les boulons et les écrous si nécessaire et selon les besoins.
- Vérifiez la mobilité des pièces et composants mobiles de l'appareil. Utilisez le spray silicone si nécessaire et selon les besoins.

### Nous vous recommandons ceci:

- Débranchez le cordon d'alimentation après chaque utilisation, surtout si des enfants sont présents.
- Nettoyez le tapis roulant après utilisation.
- Utilisez un chiffon sec pour nettoyer le panneau de commande et les zones autour de l'interrupteur d'alimentation.
- Utilisez un chiffon doux et propre et un détergent pour enlever les taches et la saleté tenaces sur le tapis roulant.
- Conservez votre tapis roulant dans un endroit sûr et sec, à l'abri de la chaleur et de l'eau.

### ATTENTION!

- *Toute réparation doit être effectuée par un technicien professionnel, sauf indication contraire du fournisseur ou du fabricant.*
- *Si le tapis roulant a été utilisé pendant deux heures, nous vous recommandons d'attendre dix minutes avant de débrancher le cordon d'alimentation. C'est mieux pour la durabilité de l'appareil.*
- *Pour éviter de glisser pendant l'exercice, le tapis du tapis roulant ne doit pas être trop lâche. Pour éviter l'abrasion entre le rouleau et le tapis roulant et pour garantir le bon fonctionnement de l'appareil, le tapis roulant ne doit pas être trop serré. La distance entre le marchepied et le tapis peut être réglée. La distance entre le marchepied et le tapis doit être de 50 à 75 mm des deux côtés.*

### Nettoyage

Un nettoyage général de l'appareil prolongera sa durée de vie. Maintenez l'appareil propre en le dépoussiérant régulièrement. Veillez à nettoyer la zone exposée du tapis roulant et les repose-pieds des deux côtés.

**ATTENTION!** Portez des chaussures propres pour réduire le risque de salir l'appareil. Au moins une fois par an, retirez le capot pour le dépoussiérer.

## CLÉ DE SÉCURITÉ

Retirez la clé de sécurité et le tapis roulant s'arrête immédiatement. Toutes les fenêtres affichent "---", l'avertisseur sonore émet trois fois "B-B -", puis le tapis roulant s'arrête. Fixez l'extrémité du cordon de sécurité à l'ordinateur et le tapis roulant se remettra en marche.

## AMORCER LE TAPIS ROULANT

Le tapis roulant est équipé d'un tapis de course pré-lubrifié et nécessitant peu d'entretien. L'usure du tapis de course joue un rôle important dans le fonctionnement et la durée de vie du tapis roulant, il faut donc le lubrifier périodiquement. Nous vous recommandons d'inspecter régulièrement la courroie. Contactez-nous dès que vous constatez un quelconque dommage sur le tapis roulant.

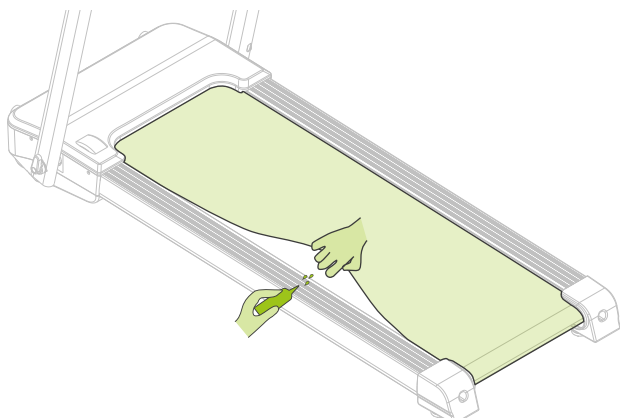
### Lubrification recommandée du tapis roulant:

- **Faible utilisation (moins de 3 heures par semaine):** une fois par an
- **Utilisation moyenne (3 à 5 heures par semaine):** tous les six mois
- **Utilisation intensive (plus de 5 heures par semaine):** tous les trois mois

**Règle générale:** Lubrifiez si le tapis semble sec. En cas de doute, contactez le fabricant. L'utilisation de vaseline (non acide) ou d'huile de silicone est recommandée pour la lubrification du tapis de roulement.

## Instructions

- Soulevez le tapis.
- Appliquez deux à trois gouttes d'huile de silicone sur toute la longueur du tapis de course.
- Mettez le tapis roulant en marche et courez pendant trois minutes sans solliciter le tapis roulant (c'est-à-dire sans vous tenir debout sur le tapis roulant).



**REMARQUE!** Un entretien régulier permet de prolonger la durée de vie du tapis roulant et d'éviter les blessures!

## DÉPANNAGE

**Vitesse anormale:** prenez le code d'erreur "E03" comme exemple (les codes d'erreur suivent après le dépannage).

**Pas d'alimentation:** Vérifiez que le fusible est bien branché et que le câble du capteur est bien connecté à la console.

**Moteur en panne:** Vérifiez que le moteur doit être remplacé.

**Moteur grillé:** vérifiez si la console est également grillée. Remplacez le moteur. Si le contrôle révèle que la console est également grillée, remplacez-la.

**La fonction d'inclinaison ne fonctionne pas correctement:** Vérifiez que le moteur de pente et le câble à 3 broches sont correctement connectés à la console et suivez ces étapes :

- Retirez le câble du capteur connecté à la console, mettez l'appareil sous tension et appuyez sur le petit bouton situé dans le coin droit de la console pendant deux secondes. Le moteur de la fonction d'inclinaison effectue une détection automatique, ce qui permet à l'appareil d'atteindre la position la plus élevée. Au bout de trois minutes environ, l'appareil descend en position basse.
- Lorsque le moteur de la fonction d'inclinaison a atteint la position la plus basse, la détection automatique est terminée. Après la détection automatique, rebranchez la console en reconnectant le câble du capteur qui a été retiré lors de la première étape. Si cela ne résout pas le problème, remplacez la console.

**Panne d'alimentation:** vérifiez que le câble du capteur est correctement connecté.

**L'affichage de l'écran ne fonctionne pas correctement:** Éteignez l'appareil et redémarrez le moteur. Allumez l'appareil et vérifiez que l'écran est redevenu normal. Si cela ne résout pas le problème, remplacez la console.

**Pas d'affichage de l'écran:** Vérifiez que la tension est correcte et que l'alimentation est de 8V.

**L'écran LCD clignote:** Vérifiez que l'appareil est sous tension et que l'alimentation est de 8V.

**L'affichage lumineux n'est pas clair:** éteignez l'appareil et vérifiez que le câble du capteur est correctement connecté. Remettez l'appareil sous tension et vérifiez que l'écran rétroéclairé est à nouveau clair. Si cela ne résout pas le problème, remplacez la console.



**Le lecteur USB ne lit pas la musique:** Vérifiez si la connexion MP3 fonctionne. S'il ne fonctionne pas correctement, ouvrez la console pour vérifier que les câbles sont correctement connectés à l'amplificateur. Réinsérez la clé USB pour vérifier si la musique est diffusée. Si cela ne corrige pas le problème, remplacez la console.

**La clé de sécurité ne fonctionne pas correctement:** Vérifiez que la clé de sécurité est correctement fixée. Ouvrez la console et vérifiez que le commutateur et le câble ne sont pas endommagés. Si cela ne résout pas le problème, remplacez la console.

**Les boutons de la console ne fonctionnent pas correctement:** Si un bouton ne fonctionne pas, ouvrez la console et vérifiez que le bouton n'est pas endommagé. Si le bouton est endommagé, remplacez la console. Si plus d'un bouton ne fonctionne pas, redémarrez la console et vérifiez que les boutons fonctionnent à nouveau. Si cela ne corrige pas le problème, remplacez la console.

**Les boutons de la poignée ne fonctionnent pas correctement:** Lavez vos mains, séchez-les soigneusement et testez à nouveau les boutons. Si cela ne résout pas le problème, vérifiez que les câbles de la poignée ne sont pas endommagés et qu'ils sont correctement connectés au connecteur. Si cela ne résout toujours pas le problème, remplacez la poignée.

**Les capteurs manuels ne fonctionnent pas correctement:** Lavez vos mains, séchez-les bien et testez à nouveau les capteurs manuels. Si cela ne résout pas le problème, vérifiez que les câbles de la poignée ne sont pas endommagés et qu'ils sont correctement connectés à la prise. Si cela ne résout toujours pas le problème, remplacez la poignée.

## CODES D'ERREURS

**E01:** Le signal de la console a échoué.

- **Test:** vérifiez que le câble du capteur n'est pas endommagé et qu'il est correctement connecté. Si c'est le cas, remplacez la console.

**E02:** La console ne reconnaît pas la puissance du moteur.

- **Test:** vérifiez que les câbles positif et négatif du moteur sont correctement connectés à l'interface du terminal de la console. Si cela est correct, vérifiez si le tube de puissance (situé sur la console et les périphériques) n'est pas endommagé. Si cela ne corrige pas le problème, remplacez la console ou le moteur.

**E03:** L'affichage de la vitesse n'est pas reconnu par la console lorsque le moteur tourne.

- **Test:** Vérifiez que le moteur tourne lorsque le tapis roulant est mis en marche et que le code d'erreur "E03" est affiché. Vérifiez que le capteur de lumière fonctionne correctement. Vérifiez que le câble du capteur de lumière est bien fixé et que la jonction entre le capteur de lumière et les quatre broches blanches de la console sont correctement connectées. Si tout ce qui précède est correct, vérifiez si la zone des quatre broches blanches de l'unité périphérique est endommagée et envisagez de remplacer la console et la carte de circuit imprimé. Si le moteur ne fonctionne pas lorsque le code d'erreur "E03" est affiché, vérifiez si le moteur est cassé et envisagez de le remplacer.

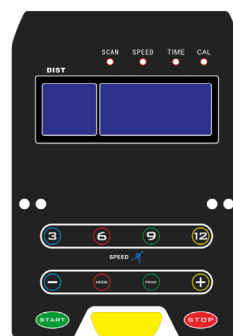
**E05:** Lorsque le moteur est en marche, la tension est supérieure à la valeur de protection.

- **Solution:** Vérifiez que le moteur est en bon état et que rien n'est coincé entre le patin en rotation et le moteur, ce qui augmente la résistance. Si tout ce qui précède est correct, remplacez la console.

**E07:** Le signal de la clé de sécurité n'est pas reconnu par l'ordinateur, ce qui fait que l'écran affiche E07 ou "--- ---".

- **Solution:** Vérifiez que les parties magnétiques de la clé de sécurité sont bien fixées.

## CONSOLE (FIG. 06)



- **START:** Appuyez sur le bouton "START" et le tapis roulant démarrera après trois secondes à 1 km/h.
- **+/-:** Appuyez sur le bouton "+" pour accélérer le rythme et sur le bouton "-" pour le diminuer. La vitesse minimale est de 1 km/h et la vitesse maximale de 12 km/h.
- **MODE:** Appuyez sur le bouton "MODE" et l'écran affiche "SPEED", "TIME" et "CALORIES". L'écran s'allume toutes les cinq secondes avec les données "SPEED", "TIME" et "CALORIES".

## Fonctions

- **PROGRAM:** Appuyez sur ce bouton pour sélectionner un programme en mode manuel : P1 --- P15 ---- "FAT".
- **MODE:** Lorsque le tapis roulant est prêt, appuyez sur ce bouton pour sélectionner le mode : décompte du mode temps, décompte du mode distance, décompte du mode calories.
- **START:** Appuyez sur ce bouton pour démarrer le tapis roulant, après trois secondes, le tapis roulant démarrera à la vitesse la plus basse ou à la vitesse du programme standard.
- **STOP:** Appuyez sur ce bouton pour arrêter le tapis roulant. Le tapis roulant s'arrête lentement.
- **SPEED ↗/↘:** Règle la vitesse. Appuyez sur ce bouton pour régler la vitesse pendant l'entraînement.
- **SPEED (3-6-9-12):** Règle la vitesse par paliers rapides.
- **BOUTON DE MANCHE (R):** Bouton de vitesse.
- **BOUTON DE MANCHE (L):** Bouton "START/STOP".
- **HARTSLAGTEST:** La fréquence cardiaque s'affiche sur l'écran après cinq secondes si la poignée est tenue à deux mains. Pour mesurer la fréquence cardiaque avec plus de précision, veuillez faire le test lorsque le tapis roulant s'arrête, puis tenez les poignées pendant plus de 30 secondes. La fréquence cardiaque affichée peut être différente de la réalité.

## PROGRAMMES (FIG. 07)

Le tapis roulant dispose de 12 programmes P1-P12. Appuyez sur "PROG" lorsque l'appareil est en mode veille pour régler les programmes et appuyez sur "START" pour mettre le tapis roulant en marche. Après avoir mis le tapis roulant sous tension, appuyez directement sur le bouton "PROG" ou appuyez deux fois sur "STOP" pour que le tapis roulant affiche "OFF" et passe en mode veille pour visualiser tous les programmes. Les programmes sont présentés à la page 9. La ligne horizontale représente le temps, et chaque point représente une minute et demie. La ligne verticale représente la vitesse et chaque point représente 1 km/h. Chaque programme dure 30 minutes.

## DIRECTIVES DE FORMATION (FIG. 16, A-E)

Un programme d'entraînement réussi comprend un échauffement, l'entraînement proprement dit et un retour au calme. Effectuez le programme d'entraînement complet au moins deux, mais de préférence trois fois par semaine et gardez un jour de repos entre les séances d'entraînement. Après quelques mois, l'intensité de l'entraînement peut être augmentée, par exemple à quatre ou cinq fois par semaine.

## L'échauffement

L'objectif d'un échauffement est de préparer le corps à l'entraînement et de réduire le risque de blessure. Réchauffez votre corps pendant deux à cinq minutes avant de commencer un entraînement cardio ou musculaire. Faites des exercices qui augmentent le rythme cardiaque et échauffent les muscles qui travaillent. Exemples de ce type

d'activités: course, jogging, jumping jacks, saut à la corde et course sur place.

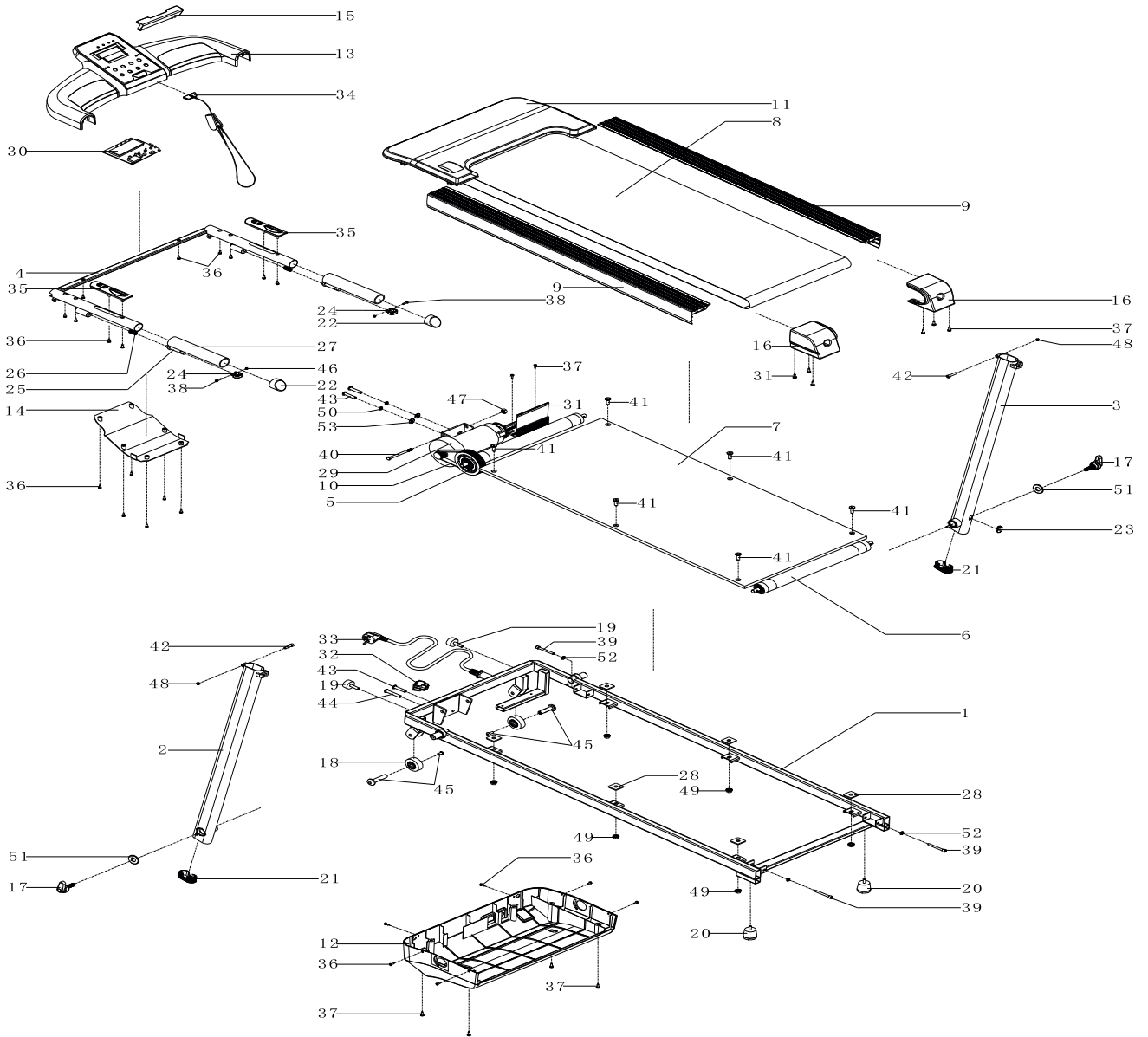
## Étirements

Les étirements pendant que les muscles sont chauds sont très importants après un bon échauffement et un bon retour au calme. Il réduit les risques de blessures. Les exercices d'étirement doivent être maintenus pendant 15 à 30 secondes. Voici quelques exemples d'exercices d'étirement:

- Toucher des orteils (page 19 - Fig. 16-A)
- Étirement de l'intérieur de la cuisse (page 19 - Fig. 16-B)
- Étirement des ischio-jambiers (page 19 - Fig. 16-C)
- Étirement du talon d'Achille (page 19 - Fig. 16-D)
- Étirement latéral (page 19 - Fig. 16-E)

## Retour au calme

Le but du refroidissement est de ramener le corps à sa position de repos (presque) normale à la fin de l'entraînement. Un bon retour au calme réduit lentement votre rythme cardiaque et favorise la récupération.



#	DESCRIPTION	QTY.
01	Main frame	1
02	Left upright tube Q235	1
03	Right upright tube Q235	1
04	Handrail	1
05	Front roller	1
06	Back roller	2
07	Running board - M8*15	2
08	Running belt	2
09	Side rail - M6	2
10	Drive belt - M6	4
11	Top motor cover Q235	2
12	Bottom motor cover ABS	1
13	Top panel cover - M8*L30	2
14	Bottom panel cover - M12*81	2
15	iPad holder - M6*30 $\phi$ 10	2
16	End caps - $\phi$ 8.1* $\phi$ 50*T22-PU	2
17	Hand knob	1
18	Transport wheel - 170J5	1
19	Supporting food pad M8*L30	1
20	Food pad - $\phi$ 38*28	1
21	Oval plug M6	2
22	Round pipe plug M6	6
23	Connector wire plug Q235	1
24	Pull ring - $\phi$ 38*28-PP	2
25	Bolt	1
26	Compression spring - ST4.2*16	6
27	Sponge sheath	1
28	Damping washer - M6*55	3
29	Motor	1
30	Panel MDF	8
31	Control Board - M8*40	6
32	Switch ABS	2
33	Power cord	1
34	Safety key - ST4*16	6
35	Pulse sensor ABS	1
36	Philips Truss Head Selftapping screw	1
37	Pan head self drilling screw - ST4.2*16	2
38	Pan head screw with pad - M4*20	2

#	DESCRIPTION	QTY.
39	Socket cap screw M6*55	1
40	HEX screw M10*110	1
41	Countersunk hexagon socket screw	1
42	Socket cap screw M8*30	2
43	Half round head hex socket screw M8*35	1
44	Half round head hex socket screw M8*40	1
45	Hex socket butt joint screw M6*30	1
46	Self locking nut M4	1
47	Self locking nut M10	1
48	Self locking nut M6	2
49	Flange nut M8	2
50	Spring washer $\phi$ 8	2
51	Flat washer $\phi$ 26	2
52	Flat washer $\phi$ 6	4
53	Flat washer $\phi$ 8	2

# *virtufit*

## COMPANY INFORMATION

---

For an ongoing service request or to purchase parts, please visit; [service@virtufit.nl](mailto:service@virtufit.nl). Always state the service number (ITS number) with a question about the current application for a quick and efficient settlement. A service request must always be submitted via the service form. So the request not to request service via [info@virtufit.nl](mailto:info@virtufit.nl).

Do you have a problem with your VirtuFit fitness equipment and would you like to submit a service request? Then scan the QR code on the right and fill in our service form.



### VIRTUFIT

Twekkelerweg 263  
7553 LZ Hengelo  
The Netherlands  
[info@virtufit.nl](mailto:info@virtufit.nl)