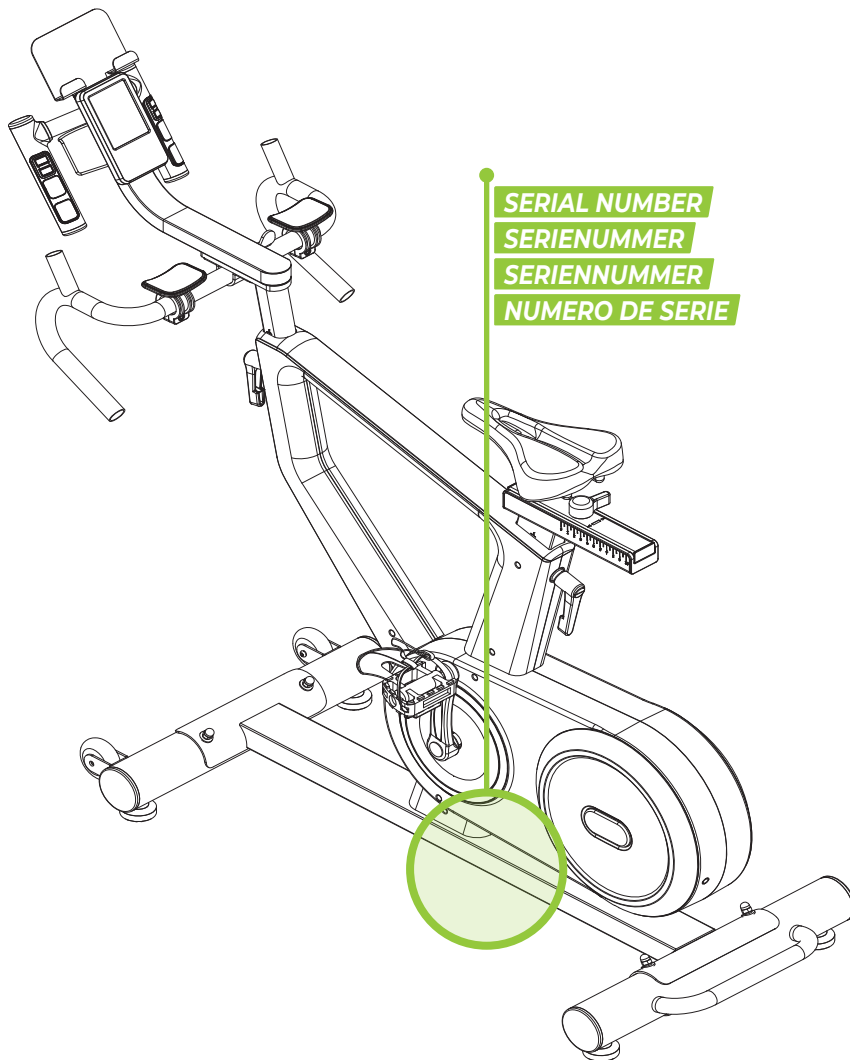


virtufit

Etappe 2.0i
VFSPINBIKE-E2.0i



USER MANUAL

HOW TO
RECYCLE



ASSEMBLY
VIDEO



Instagram icon @virtufit_fitness

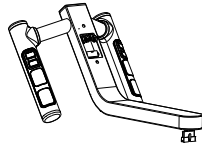
YouTube icon VirtuFit

Globe icon www.virtufit.com

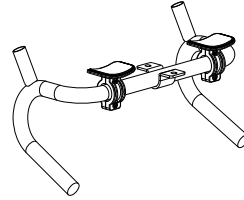
TOOLKIT



1 CONSOLE



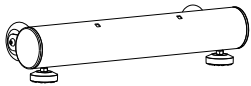
7 CONSOLE POST



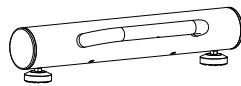
10 HANDLE BAR



15 PEDAL PAIR



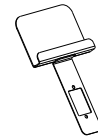
25 FRONT STABILIZER



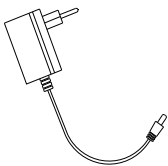
30 REAR STABILIZER



34 SADDLE



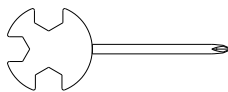
37 TABLET HOLDER



102 ADAPTER



108 BOTTLE HOLDER



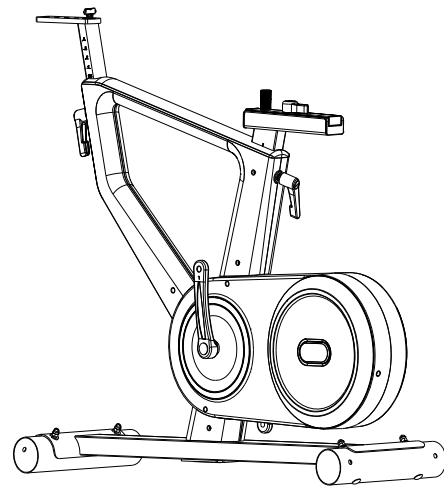
A S13 - 14 - 15



B S8

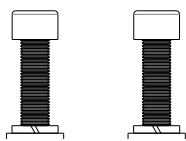


C S5

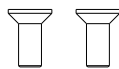


28 MAIN FRAME

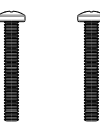
STEP 2



11 12 14
M10x30 - 2 PCS



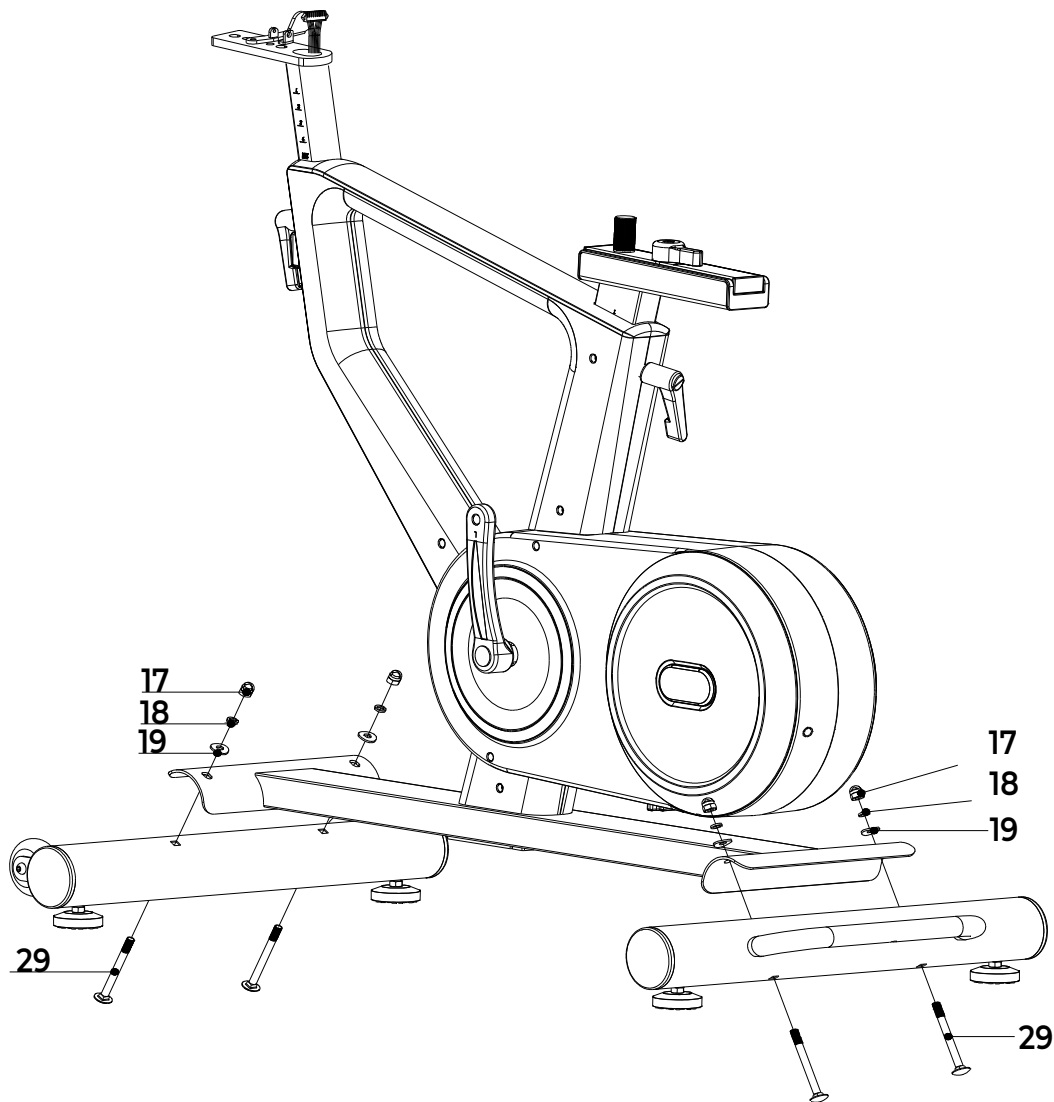
107 M8x20



3 M5x35 - 2PCS

STEP 3

STEP 01



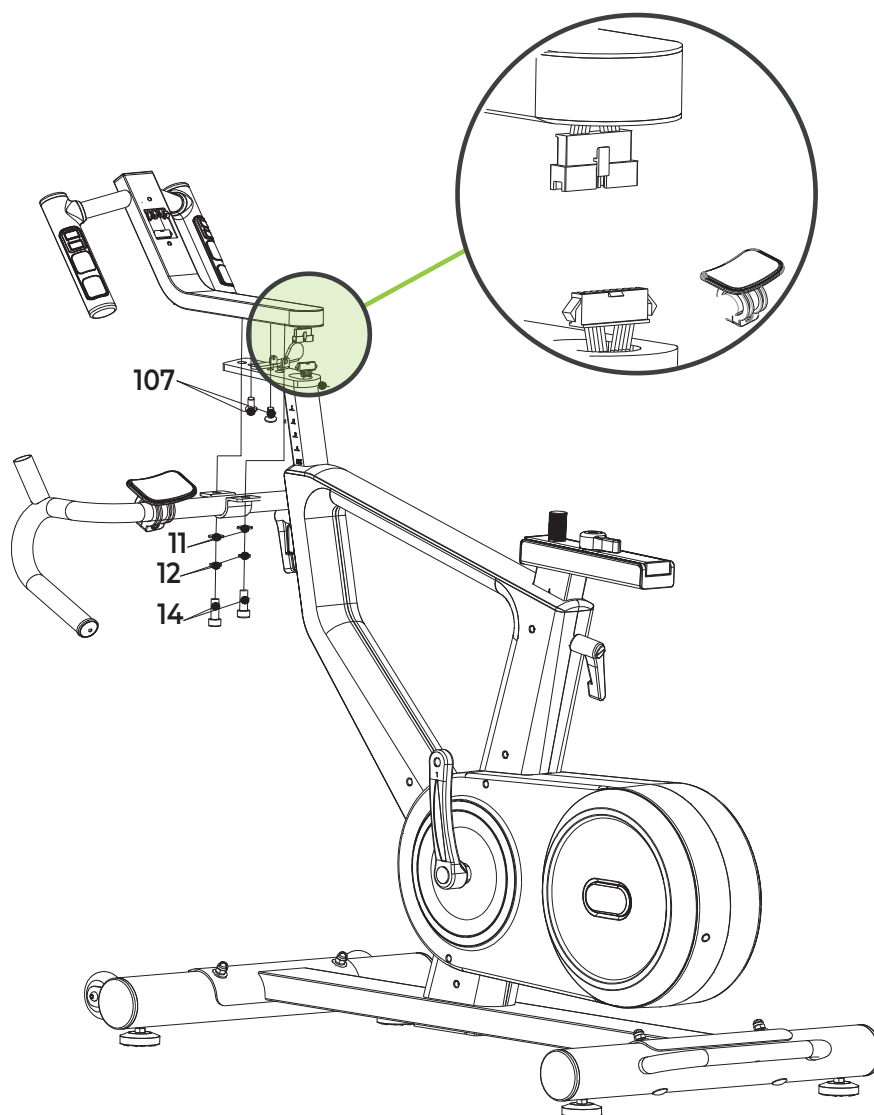
NOTE! Before attaching the front and rear stabiliser, remove the steel tube and fixing parts from the main frame. Make sure the transport wheels of the front stabiliser point forward.

LET OP! Verwijder de stalen buis en de bevestigingsdelen van het hoofdframe voordat de voor- en achterstabilisator worden bevestigd. Zorg ervoor dat de transportwielen van de voorste stabilisator naar voren wijzen.

HINWEIS! Bevor Sie den vorderen und hinteren Stabilisator anbringen, entfernen Sie das Stahlrohr und die Befestigungsteile vom Hauptrahmen. Stellen Sie sicher, dass die Transporträder des vorderen Stabilisators nach vorne zeigen.

REMARQUE! Avant de fixer les stabilisateurs avant et arrière, retirez le tube d'acier et les pièces de fixation du cadre principal. Assurez-vous que les roues de transport du stabilisateur avant sont orientées vers l'avant.

STEP 02



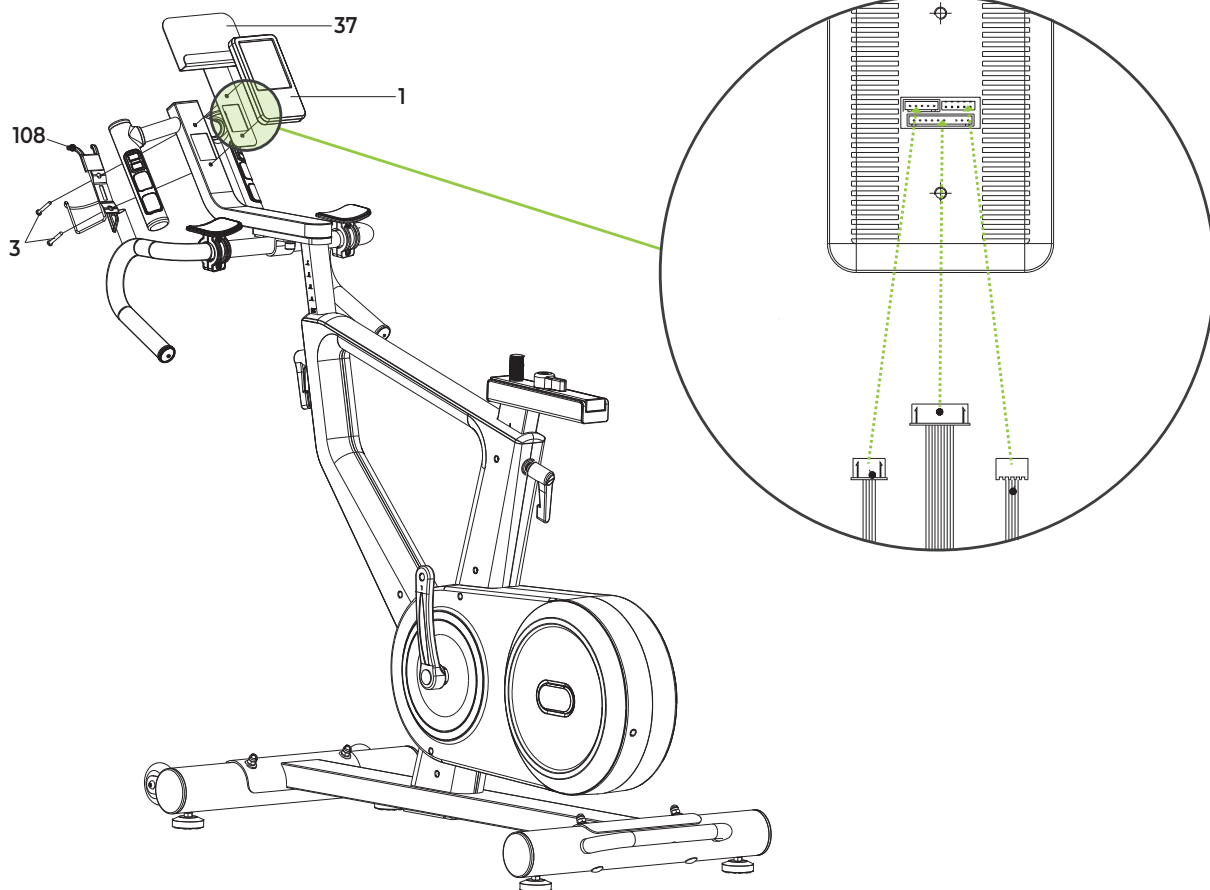
NOTE! First attach the steering post (7) and then the handlebars (10). Make sure the direction of the handlebar (10) is correct.

LET OP! Bevestig eerst de stuurpost (7) en dan het stuur (10). Zorg ervoor dat de richting van het stuur (10) correct is.

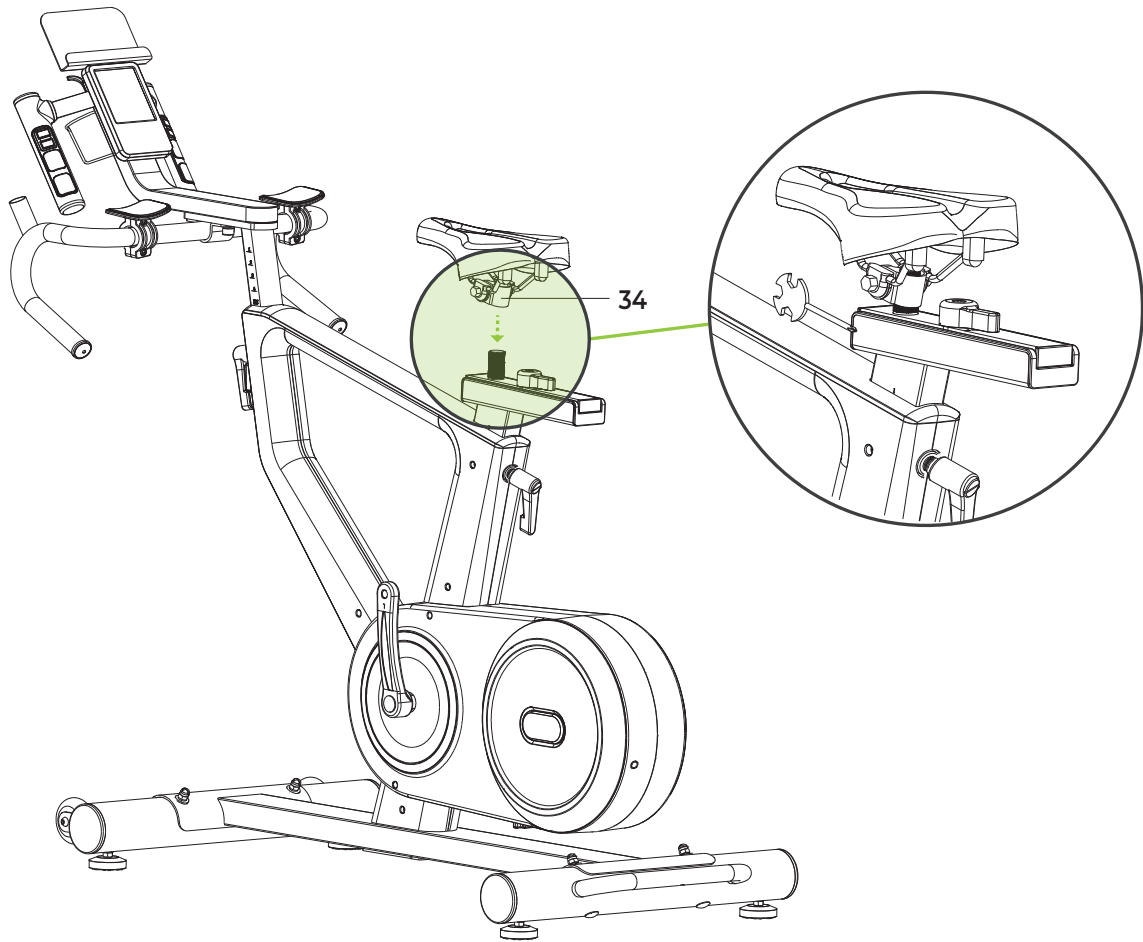
HINWEIS! Bringen Sie zuerst die Lenksäule (7) und dann den Lenker (10) an. Achten Sie darauf, dass die Richtung des Lenkers (10) richtig ist.

REMARQUE! Fixez d'abord la colonne de direction (7), puis le guidon (10). Veillez à ce que le sens du guidon (10) soit correct.

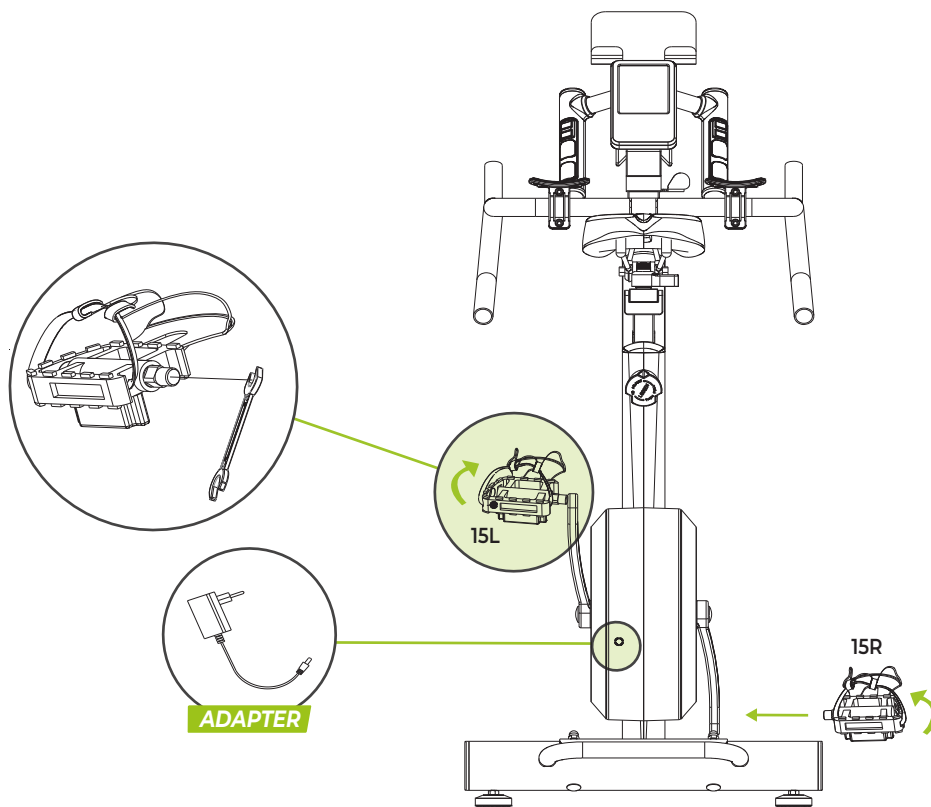
STEP 03



STEP 04



STEP 05



EMERGENCY BRAKE

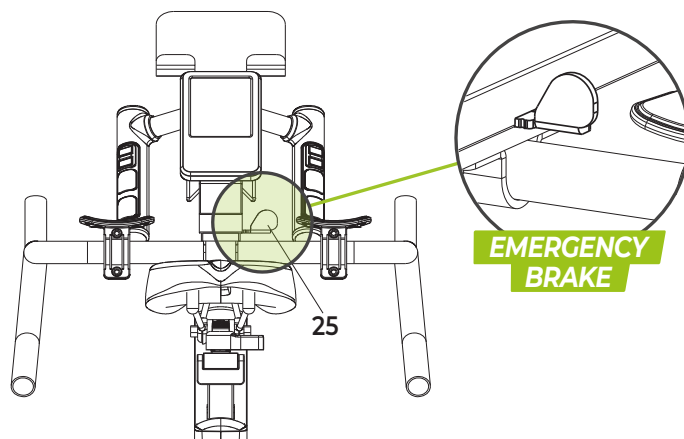


FIG. A



FIG. B

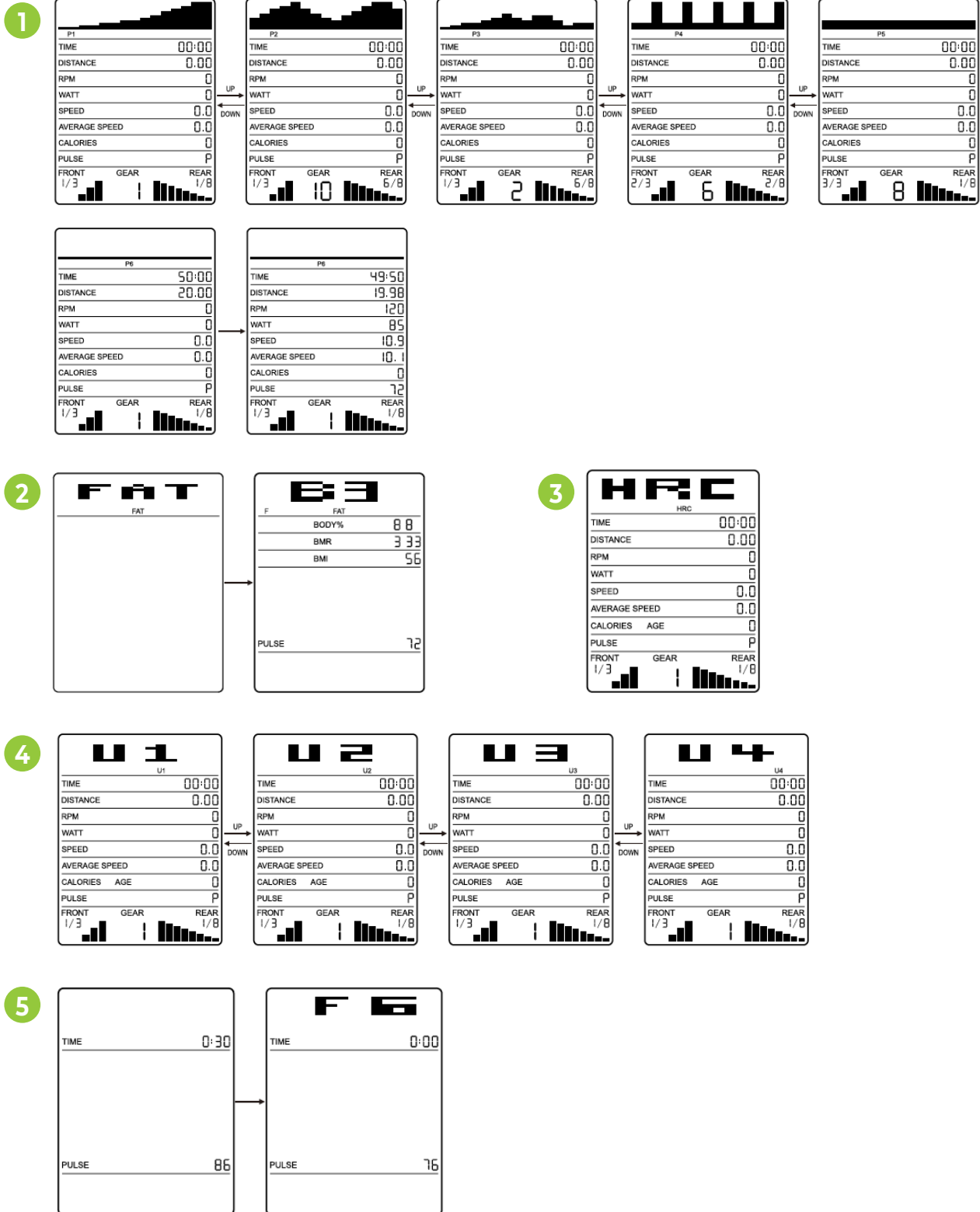
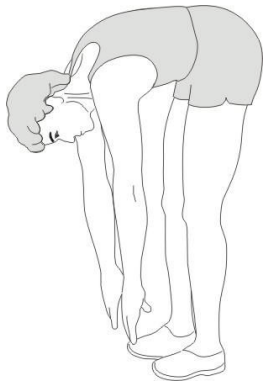


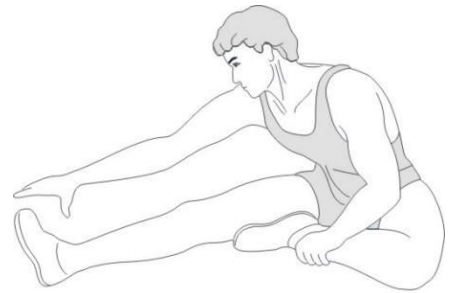
FIG. C



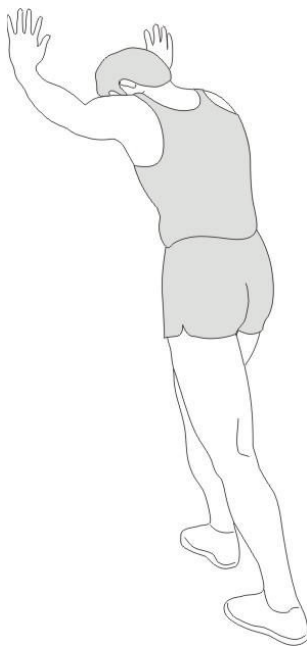
1



2



3



4



5

INDEX

Safety instructions	11
Guarantee	11
Assembly instructions	11
Adjusting	12
Moving	13
Training with heart rate	13
Training with fitness applications	13
Maintenance	14
Troubleshooting	14
Error codes	15
Console	15
Programs	15
Training guidelines	17

SAFETY INSTRUCTIONS

WARNING!

Consult your doctor before you start exercising. This is particularly important for people with health problems. Please read all instructions before using the machine. VirtuFit assumes no responsibility for injury or property damage resulting from the use of this equipment. Please read this manual carefully before assembling and/or using the machine.

- Make sure that the machine is properly assembled and that all nuts and bolts are tight before using it.
- Do not wear loose clothing to avoid getting caught in moving parts.
- Install and use the unit on a solid, level surface.
- Always wear clean sports shoes when using the appliance.
- Keep children and pets away from the appliance when in use.
- Maintain your balance when using the device.
- Do not place your fingers or other objects in the moving parts.
- Before exercising, consult your physician to determine the appropriate frequency, duration and intensity of exercise for your age and physical condition. Stop exercising immediately if you experience nausea, shortness of breath, fainting, headache, chest pain, tightness or any other discomfort.

- Do not hold the machine by the seat when moving.
- This machine should only be used by one person at a time.
- This machine is designed for domestic use and the maximum user weight is 130 kg.
- Leave 1-2 metres of space behind the machine to avoid accidents.
- Place the machine on a clean, flat surface. Do not place it on a thick carpet, as this may hinder the ventilation of the machine. Do not place the machine outdoors or near water.
- Keep the storage area dry, clean and level to prevent damage. Do not use the device for any purpose other than training.
- Use the device only in an environment where the ambient temperature is between 10°C and 35°C. Store the device only in an environment where the temperature is between 5°C and 45°C.

GUARANTEE

Warranty claims are excluded if the cause of the defect is the result of:

- Maintenance and repair work not carried out by an official dealer. Unless otherwise specified by the supplier or manufacturer.
- Improper use, negligence and/or poor maintenance.
- Failure to maintain the appliance in accordance with the manufacturer's instructions.

ASSEMBLY INSTRUCTIONS (STEP 01-05)

Missing parts: If any parts are missing from the packaging, carefully check the polystyrene foam and the appliance itself. Some parts (bolts, screws, etc.) are already attached to the unit.

Error message: Make sure that all cables are carefully attached. The aluminium feet of the console are very sensitive and must be kept straight. If the console gives an error message after the machine has been mounted, the aluminium feet of the console may be bent. Straightening the aluminium feet may make the error message disappear.

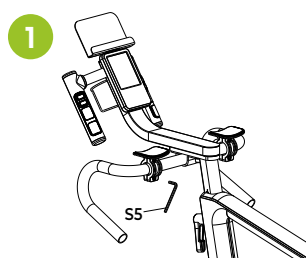
Hex head bolts: Make sure that the hex head spanner is pushed into

the bolt before applying force. This will prevent the head of the socket bolt from turning.

ADJUSTING

Adjusting the elbow pads (1)

- Unlock the bolts of the elbow pads with the hexagonal key S5.
- Adjust the elbow pads to a comfortable position.
- Retighten the bolts.

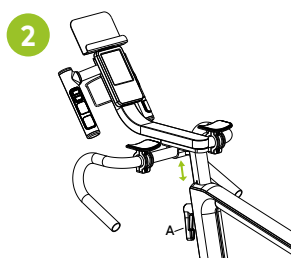


Adjusting the handlebars (2)

Before exercising, adjust the handlebar and saddle position to the height and distance that best suits the user.

Follow the steps below to adjust the handlebars FIG (2):

- Turn the adjustment knob (A) on the front of the main frame counter-clockwise.
- The handlebar is released and can be adjusted to the correct height.
- Tighten the round adjustment knob by turning it clockwise.



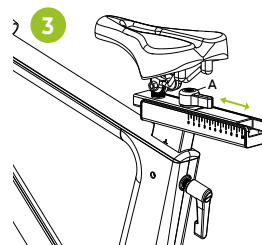
Adjusting the saddle (3-4)

Before riding, adjust the position of the handlebars and saddle to the height and distance that best suits the user.

Follow the steps below to adjust the horizontal position of the saddle (FIG. 3):

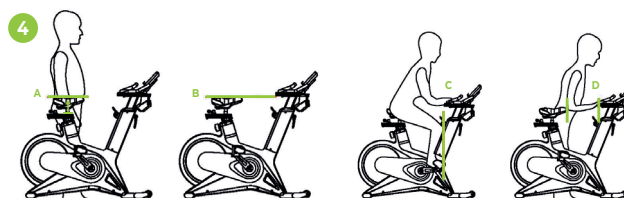
- Turn the adjustment knob on the underside of the saddle counter-clockwise (anti-clockwise).

- The saddle comes off and can be adjusted to a horizontal position to adjust the distance between the saddle and the handlebars.
- Tighten the adjustment knob by turning it clockwise



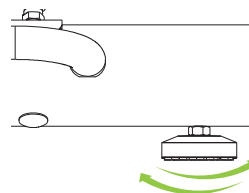
Follow the steps below to adjust the seat height (FIG. 4):

- Stand next to the machine and adjust the seat to hip height (FIG. 4A).
- The height of the saddle and handlebars should be the same (FIG. 4B). If not, adjust the handlebar height to match the saddle height.
- Make sure your knee is just behind your foot when your foot is towards the front of the machine (FIG. 4C).
- Adjust the handlebars so that the distance between the saddle and the handlebars is equal to the length of your forearm (FIG. 4D).



Leveling

Make sure that the bike is always on a stable surface. If in doubt, a rubber mat can be placed underneath the exercise bike to ensure a better grip on the floor. The bike can be adjusted by turning the adjustable feet on either side of the bike (FIG. A). This allows the bike to compensate for unevenness in the floor.



Safety straps

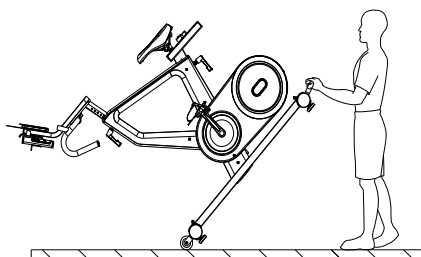
- Get on the bike.
- Put your foot on the pedal and tighten the belt.

- Start pedalling.
- After pedalling, remember to press the safety button before unfastening the safety belt.
- You can now get off the bike safely.

MOVING

CAUTION! Store the unit in a dry place out of reach of children. Make sure the unit is stable and secure to prevent it from falling on children or animals.

Push the handlebar down until the transport wheels of the front stabiliser touch the ground. When the transport wheels touch the ground, the bike can be easily moved to the desired location.



TRAINING WITH HEART RATE

Hand sensors

This Virtufit fitness machine is equipped with hand sensors for measuring heart rate. The hand sensors are attached to the handle and only work if both sensors are held for a longer period of time. For optimal performance, it is important that the hands are slightly moist and exert constant pressure on the sensors. Hands that are too dry or moist may cause abnormal readings.

NOTE! To avoid interference, never use the hand sensors with a wireless heart rate monitor.

Wireless heart rate receiver (5 kHz)

This Virtufit fitness device is equipped with a wireless heart rate receiver. For the heart rate measurement with a wireless heart rate monitor, you use a heart rate monitor which works on a 5 kHz frequency. With a wireless heart rate monitor, it is important that the electrodes are slightly moist and the heart rate monitor fits well to your body. Refer to your heart rate monitor's user manual for proper instructions. Incorrect use of the heart rate monitor may result in abnormal readings.

NOTE!

- A wireless heart rate monitor is not included as standard. Contact your dealer to purchase a wireless heart rate monitor.
- To avoid interference, never use the wireless heart rate monitor in combination with the hand sensors.

! WARNING!

- If you have a pacemaker, we recommend that you consult your physician before using a wireless heart rate monitor
- In rooms with multiple heart rate monitors, it is recommended that you keep enough distance to avoid interference between different devices.
- Always try to keep the wireless heart rate monitor within a range of 1 meter from the console for optimal reception.
- Always wear a wireless heart rate monitor directly on the body, under clothing.

TRAINING WITH FITNESS APPLICATIONS

VirtuFit does not provide service for third party fitness applications such as Kinomap, iConsole, FitShow etc. If you encounter problems with a third party fitness application, please contact the developer of the application in question.

Instruction

- To scan the QR code with an Android or IOS phone or tablet, a QR code scanner is required. The app for scanning QR codes can be downloaded from the App Store or Google Play Store.
- Scan one of the QR codes below to go directly to the App Store or Google Play Store page where the fitness app can be downloaded.
- Scan the QR code on the right to access the fitness app manual. The manual describes step by step how to connect the fitness app to the device, how the fitness app works and what its capabilities are.

Fitshow



APP STORE

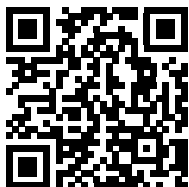


GOOGLE PLAY



MANUAL

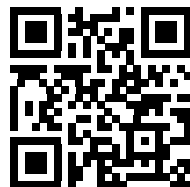
Zwift



APP STORE



GOOGLE PLAY



MANUAL

MAINTENANCE

Safe and efficient use can only be achieved if the appliance is properly installed and maintained. It is your responsibility to ensure that the appliance is maintained regularly. Parts that have been used and/or damaged must be replaced before the appliance is used again. The appliance should only be used and stored indoors. Long-term exposure to weather and temperature/humidity changes can have a serious impact on the electrical components and moving parts of the unit. Always unplug the power cord from the unit before cleaning or servicing it.

Daily maintenance

- Clean and remove sweat and moisture after each use.
- Check that the unit is free of dust and dirt.
- Do not use aggressive cleaning agents and keep the device away from moisture.

Semi-annual maintenance

- Inspect all bolts and nuts connected to the moving parts of the unit. Tighten bolts and nuts as necessary and appropriate.

We recommend the following:

- Clean the unit after use.
- Use a dry cloth to clean the control panel and the areas around the on/off switch.
- Use a soft, clean cloth and detergent to remove stubborn marks and dirt from the unit.
- Store the unit in a safe, dry place away from heat and water.

CAUTION! Repairs must be carried out by a professional technician, unless otherwise specified by the supplier or manufacturer.

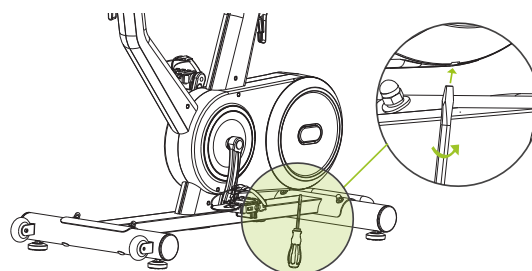
Cleaning

General cleaning of the unit will extend its life. Keep the appliance clean by dusting it regularly. Regular maintenance will prolong the life of your appliance and prevent injuries! For more information, please visit <https://www.virtufit.nl/service/faq/>

CAUTION! Wear clean shoes to reduce the risk of soiling the machine. At least once a year, remove the cover to remove dust.

Opening the Chain Box

- Have a Phillips screwdriver and a flathead screwdriver ready.
- Locate the hole at the bottom of the chain case.
- Insert the flathead screwdriver into the hole.
- Pull the chain case open slightly while holding the handle of the flathead screwdriver.
- Remove the screws with the Phillips screwdriver.



TROUBLESHOOTING

The display does not show any values: Check that the sensor and console cables are properly attached and undamaged. If this does not solve the problem, contact the supplier.

Device squeaks: Check that all bolts and nuts are tight. If necessary. Check whether the brake pad needs to be lubricated.

Ticking noise when pedalling: This may be caused by one of the pedals. Remove the pedal(s) and mount it (them) correctly on the unit. Tighten the pedal(s) firmly. If this does not solve the problem, contact the supplier.

NOTE! The "R" (right) pedal must be mounted clockwise and the "L" (left) pedal must be mounted counter-clockwise.

Console does not work: If there is no signal when pedalling, check that the cable is correctly connected.

Heart rate display does not function:

- The sensor cables from the heart rate sensor to the display are not properly fitted or have become loose during use.
- The sensors may have become damp, dirty or greasy. Clean them regularly. If there is no signal when you pedalling check that the cable is properly attached.

ERROR CODES

E1:

- **Motor does not work (motor problems)**
Solution: Check that the motor wiring plug is connected correctly. Reconnect the plug. If this does not solve the problem, contact the supplier.
- **Broken cable in the machine**
Solution: Check that the cables are not damaged or in danger of causing a short circuit. Replace the cable. If this does not solve the problem, contact the supplier.
- **The console does not give a signal to the motor**
Solution: Replace the console. If this does not solve the problem, contact the supplier.

E2:

- **After starting the body fat test, the hand sensor is not held fast enough with the hand.**
Solution: Hold the handheld sensor within 3 seconds of starting the test program. If this does not solve the problem, contact the supplier.
- **The console does not display the heart rate value**
Solution: Check if a heart rate value is displayed in another mode. If this does not solve the problem, contact the supplier.

CONSOLE (FIG. A)



- **- +** Press to select a programme or increase/decrease values.
- **↺** Press to go to the main menu. Press and hold to reset all values.
- **♥** Recovery - Heart rate Recovery test.
- **↵** Confirm the selected value.

- **▶|■** Start or stop training.
- **- + FRONT** Handlebar left. Increase or decrease front gear.
- **- + REAR** Handlebar right. Increase or decrease rear gear.

Functions

- **RPM** Revolutions per minute.
- **SPEED** The current speed during exercise is displayed.
- **TIME** The time measured from the start of the exercise is displayed. If a training time has been set, the time will be counted down.
- **DISTANCE** The distance covered during the exercise is displayed. If a distance is set, the distance will be counted down.
- **AVERAGE SPEED** The average speed during the exercise.
- **CALORIES** The number of calories burned during the exercise is displayed. If a calorie target has been set, the number of calories will be counted down.
- **PULSE** When using a chest strap, the heart rate will be displayed during exercise. If a target heart rate is set, an alarm will sound when the target heart rate is reached.
- **WATT** Displays the wattage.
- **GEAR** 24 resistance levels.
- **FRONT** Front gear 1-3.
- **REAR** Rear gear 1-8.

PROGRAMS (FIG.B, 1-3)

Manual Program (FIG. B-1)

- Press **- +** to display the different programs. P1 climb mode, P2 mountain mode, P3 highway mode, P4 interval mode, P5 relaxation mode, P6 circuit mode.
- Press **▶|■** to start the workout or press **↵** to enter the set mode.
- In set mode, press **↵** to select the set value. The selected value (time, distance, calories, age) will flash (in P1-P5).
- Press **- +** to increase or decrease the value and press **↵** to select the next item.
- Press **▶|■** to start the workout.
- During the workout, the resistance is automatically adjusted according to the program you set. If you are not happy with this, you can press **- +** to increase or decrease the value.
- If one of the settings is made, the corresponding value is counted down. If this value is 0, a signal sounds.

- During exercise, press to stop or pause the machine.

Body Fat (FIG. B-2)

- Press to select the programme. The order of setting is: gender -> height -> weight -> age.
- Press to increase or decrease the value.
- M means male and F means female.
- Press for 8 seconds to start the test and the display will show BMI, FAT%. **CAUTION! Press the heart rate sensor in continuous display before testing.**
- The test should be performed when the body is relaxed and the heart rate is calm.

BMI (BODY MASS INDEX)

GENDER/AGE	THIN	NORMAL	SLIGHTLY FAT	FAT	OBESE
MALE < 30	< 14	14 ~ 20	20.1 ~ 25	25.1 ~ 35	> 35
MALE > 30	< 17	17 ~ 23	23.1 ~ 28	28.1 ~ 38	> 38
FEMALE < 30	< 17	17 ~ 24	24.1 ~ 30	30.1 ~ 40	> 40
FEMALE > 30	< 20	20 ~ 27	27.1 ~ 33	33.1 ~ 43	> 43

BODY FAT (%)

GENDER	LOW	MEDIUM	MEDIUM/HIGH	HIGH
MALE	< 13	13 - 25.9	26 - 30	> 30
FEMALE	< 23	23 - 35.9	36 - 40	> 40

B.M.R. (BASIC METABOLIC RATE)

The average number of calories burned per day for the basic needs of life.

- Referentie 1300 ± 100 (22 - 40 years).

BODY TYPE (COMPOSITE FIGURE)

B1	EXTREMELY THIN	B6	ABOVE NORMAL
B2	THIN	B7	OVERWEIGHT
B3	RELATIVELY THIN	B8	OBESE
B4	BELOW NORMAL	B9	EXTREMELY OBESE
B5	NORMAL		

HRC (FIG. B-3)

- Press to select the programme. The order of setting is:

time -> distance -> calories -> target heart rate.

- Press to increase or decrease the value.
- Press to start the workout. The resistance is automatically adjusted to the target heart rate.
- If one of the parameters is set, the corresponding value is counted down. When this value is 0, a beep will sound.
- During the workout, press to stop or pause the unit.

NOTE! For best use of the HRC function, it is recommended that you wear a wireless chest belt during exercise. If the display does not detect the heart rate value, the resistance will not change automatically.

User Program (FIG. B-4)

- Press to select the U1-U4 program.
- Press to start the workout or to enter the setting mode. The order of setting is: time -> distance -> calories -> resistance.
- Press to increase or decrease the value or to move to the next point.
- Press to start the workout and during the workout press to increase or decrease the resistance.
- When one of the parameters is set, the corresponding value is counted down. When this value is 0, a beep will sound.
- During the workout, press to stop or pause the workout.

Recovery (FIG. B-5)

- During a workout, press when the heart rate value is displayed and monitor the heart rate.
- TIME displays "0:60" and begins counting down from 60 seconds. The system will begin the test.
- When TIME is at "0:00", F1 - F6 is displayed on the screen. This indicates your heart rate recovery level.

F1 = 1.0	OPTIMUM
1.0 < F2 < 2.0	GOOD
2.0 < F3 < 2.9	RELATIVELY GOOD
3.0 < F4 < 3.9	NORMAL
4.0 < F5 < 5.9	RELATIVELY BAD
F6 = 6.0	BAD

NOTE! It is recommended that you perform the heart rate test within the aerobic heart rate range during training. This will not affect the test result.

Pulse

SEE ALSO CHAPTER "TRAINING WITH HEART RATE".

AGE	TRAINING ZONE MIN-MAX (BPM)	AGE	TRAINING ZONE MIN-MAX (BPM)
20	133 - 167	55	122 - 155
25	132 - 166	60	121 - 153
30	130 - 164	65	119 - 151
35	129 - 162	70	118 - 150
40	127 - 161	75	117 - 147
45	125 - 159	80	115 - 146
50	124 - 156	85	114 - 144

resting position at the end of the workout. A good cool-down slowly reduces your heart rate and promotes recovery.

TRAINING GUIDELINES (FIG. C, 1-5)

A successful training program includes a warm-up, the actual training and a cool-down. Perform the complete training program at least twice, but preferably three times a week and keep a rest day between training sessions. After a few months, the intensity of the training can be increased, for example to four or five times a week.

The warm-up

The purpose of a warm-up is to prepare the body for training and to reduce the risk of injury. Warm up your body for two to five minutes before starting a cardio or strength training session. Do exercises that increase the heart rate and warm up the working muscles. Examples of this type of activity are running, jogging, jumping jacks, skipping and running in place.

Stretching

Stretching while the muscles are warm is very important after a good warm-up and cool-down. It reduces the risk of injury. Stretching exercises should be held for 15-30 seconds. Here are some examples of stretching exercises:

- Toe touch (Fig. C-1)
- Inner thigh stretch (Fig. C-2)
- Hamstring stretch (Fig. C-3)
- Achilles stretch (Fig. C-4)
- Side stretch (Fig. C-5)

Cooling down

The purpose of the cool-down is to return the body to its (near) normal

INHOUD

Veiligheidsinstructies	18
Garantie	18
Montage Instructies	19
Afstellen	19
Verplaatsen	20
Trainen met hartslag	20
Trainen met fitness apps	20
Onderhoud	21
Probleemoplossingen	22
Foutcodes	22
Console	22
Programma's	23
Trainingsrichtlijnen	24

VEILIGHEIDSLINSTRUCTIES

WAARSCHUWING!

Raadpleeg uw arts voordat u begint met trainen. Dit is in het bijzonder belangrijk voor personen met gezondheidsproblemen. Lees alle instructies alvorens het toestel gebruikt wordt. VirtuFit neemt geen verantwoordelijkheid voor geleden letsel of materiële schade door het gebruik van dit toestel. Lees deze handleiding zorgvuldig door, voordat u begint met monteren van het toestel en/of er gebruik van gaat maken.

- Zorg ervoor dat het toestel voor gebruik correct is gemonteerd en alle bouten en moeren zorgvuldig zijn vastgedraaid.
- Draag geen loszittende kleding om te voorkomen dat deze in bewegende delen verstrikt raakt.
- Stel het toestel op en gebruik deze op een stevige, effen ondergrond.
- Draag altijd schone sportschoenen bij gebruik van het toestel.
- Houd kinderen en huisdieren uit de buurt van het toestel, terwijl deze in gebruik is.
- Zorg dat u evenwicht behoudt tijdens gebruik van het toestel.
- Plaats geen vingers of andere voorwerpen in de bewegende delen.

- Raadpleeg voorafgaand aan een training uw arts om de trainingsfrequentie, tijd en intensiteit vast te stellen die geschikt is voor uw leeftijd en conditie. Stop onmiddellijk met trainen in geval van misselijkheid, kortademigheid, flauwvallen, hoofdpijn, pijn, benauwdheid in de borst of enig ander ongemak.
- Houd het toestel niet vast aan de zitting bij het verplaatsen.
- Dit toestel dient door slechts één persoon tegelijk te worden gebruikt.
- Dit toestel is gemaakt voor thuisgebruik en het maximaal gebruikersgewicht bedraagt 130 kg.
- Houd 1 à 2 meter ruimte vrij achter het toestel om eventuele ongelukken te voorkomen.
- Plaats het toestel op een schone en vlakke ondergrond. Plaats het toestel niet op dik tapijt waardoor het ventilatie kan belemmeren. Plaats het toestel niet buiten of in de buurt van water.
- Het toestel is voor binnengebruik en niet voor buitengebruik. Houd de opslagplek droog, schoon en vlak om schade te voorkomen. Het is verboden om het toestel voor andere doeleinden te gebruiken dan voor de trainingen.
- Gebruik het toestel alleen in een omgeving met een omgevingstemperatuur tussen 10 °C en 35 °C. Berg het toestel alleen op bij een omgevingstemperatuur tussen 5 °C en 45 °C.

GARANTIE

Aanspraak op garantie is uitgesloten indien de oorzaak van het defect het gevolg is van:

- Onderhoudsmontage en reparatiewerkzaamheden die niet door een officiële dealer zijn uitgevoerd. Tenzij anders aangegeven door de leverancier of fabrikant.
- Bij ondeugdelijk gebruik, verwaarlozing en/of gebrekkig onderhoud.
- Het niet volgens de fabrieksvoorschriften onderhouden van het toestel.

MONTAGE INSTRUCTIES (STEP 01-05)

Missende onderdelen: Indien bepaalde onderdelen missen in de

verpakking, controleer dan zorgvuldig het piepschuim en het toestel zelf. Sommige onderdelen (bouten, schroeven, etc.) zitten al bevestigd aan/in het toestel.

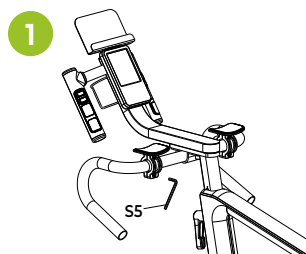
Foutmelding: Let er op dat alle kabels voorzichtig worden bevestigd. De aluminium pootjes van het console zijn zeer gevoelig en deze dienen recht te blijven. Mocht het console een foutmelding geven na de montage van het toestel dan kan het zijn dat de aluminium pootjes van het console schuin staan. Buig de aluminium pootjes weer recht, dit laat de foutmelding mogelijk verdwijnen.

Inbusbouten: Zorg ervoor dat de inbusleutel goed in de bout zit voordat er kracht op de sleutel wordt gezet. Op deze manier wordt voorkomen dat de kop van de inbusbout wordt dolgedraaid.

AFSTELLEN

Elleboogbeschermers afstellen (1)

- Ontgrendel de bouten van de elleboogbeschermers met inbusleutel S5.
- Stel de elleboogbeschermers af op een comfortabele positie.
- Draai de bouten weer vast.

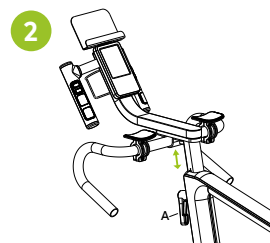


Stuur afstellen (2)

Stel voordat je gaat trainen de positie van zowel het stuur als het zadel in op de hoogte en afstand die voor de gebruiker het beste is.

Volg onderstaande stappen om het stuur te verstellen:

- Draai de verstelknop (A) aan de voorkant van het hoofdframe tegen de klok in (linksom).
- Het stuur is los en is verstelbaar naar de juiste hoogte.
- Draai de ronde verstelknop weer vast door met de klok mee te draaien (rechtsom).

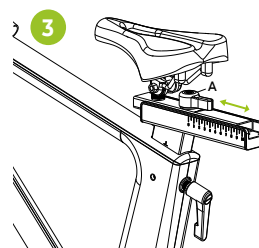


Zadel afstellen (3-4)

Stel voordat je gaat trainen de positie van zowel het stuur als het zadel in op de hoogte en afstand die voor de gebruiker het beste is.

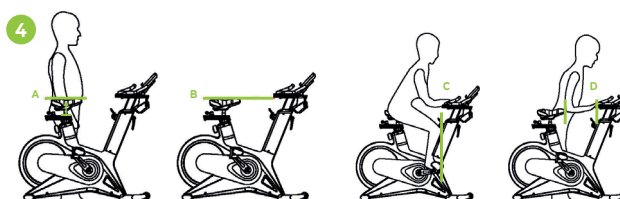
Volg onderstaande stappen om de horizontale positie van het zadel te verstellen (FIG. 3):

- Draai de verstelknop die onder de het zadel zit tegen de klok in (linksom).
- Het zadel komt los en is in horizontale positie verstelbaar om de afstand van het zadel tot het stuur aan te passen.
- Draai de verstelknop weer vast door met de klok mee te draaien (rechtsom).



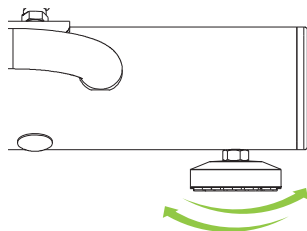
Volg onderstaande stappen om de zithoogte te verstellen (FIG. 4):

- Ga naast het apparaat staan en stel het zadel in ter hoogte van de heup (FIG. 4A).
- De hoogte van het zadel en het stuur dienen even hoog te zijn (FIG. 4B). Mocht dit nu niet het geval zijn, verstel dan de hoogte van het stuur gebaseerd op de hoogte van het zadel.
- Zorg ervoor dat uw knie net voorbij uw voet komt wanneer uw voet zich richting de voorkant van het apparaat bevindt (FIG. 4C).
- Stel het stuur zo in dat de afstand tussen het zadel en het stuur hetzelfde is als de lengte van uw onderarm (FIG. 4D).



Waterpas

Zorg er te allen tijde voor dat de spinningfiets op een stabiele ondergrond staat. Bij twijfel kan er een rubberen mat onder de spinningfiets worden geplaatst, zodat er meer grip ontstaat op de vloer. De spinningfiets kan worden versteld door te draaien aan de verstelbare poten aan beide kanten van de spinbike (FIG. A). Hierdoor kan de spinningfiets worden gecompenseerd met een ongelijke ondergrond.



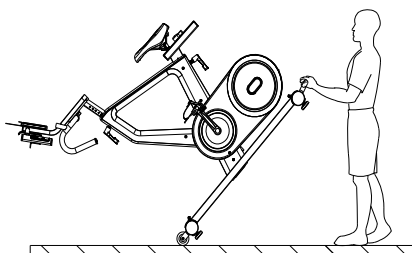
Veiligheidsriemen

- Stap op de fiets.
- Zet uw voet op het pedaal en trek de riem aan.
- Begin met fietsen.
- Zorg ervoor dat er na de fietstraining eerst op de veiligheidsknop wordt gedrukt voordat de veiligheidsriem weer wordt losgemaakt.
- Er kan nu veilig worden afgestapt.

VERPLAATSEN

LET OP! Berg het apparaat op in een droge ruimte uit de buurt van kinderen. Zorg ervoor dat het apparaat stabiel en veilig staat waardoor het niet om kan vallen op dieren of kinderen.

Duw het stuur naar beneden totdat de transportwielen aan de voorste stabilisator de grond raken. Wanneer de transportwielen de grond raken kan de spinningfiets gemakkelijk naar de gewenste plek worden verplaatst.



TRAINEN MET HARTSLAG

Handsensoren

Dit VirtuFit fitnessstoestel is voorzien van handsensoren voor het meten van de hartslag. De handsensoren zitten bevestigd op het handvat en werken alleen als beide sensoren voor een langere periode worden vastgehouden. Voor een optimale werking is het belangrijk dat de handen licht vochtig zijn en constante druk uitoefenen op de sensoren. Te droge of vochtige handen kunnen zorgen voor een afwijkende meting.

Draadloze hartslagmeter (5 kHz)

Dit VirtuFit fitnessstoestel is voorzien van een draadloze hartslagontvanger. Voor de hartslagmeting met een draadloze hartslagmeter gebruikt u een hartslagmeter welke werkt op een 5 kHz frequentie. Bij een Draadloze hartslagmeter is het belangrijk dat de elektroden licht vochtig zijn en de hartslagmeter goed aansluit op uw lichaam. Raadpleeg de gebruikershandleiding van uw hartslagmeter voor de juiste instructies. Onjuist gebruik van de hartslagmeter kan zorgen voor een afwijkende meting.

LET OP!

- Een draadloze hartslagmeter wordt niet standaard meegeleverd. Contacteer uw dealer voor de aanschaf van een draadloze hartslagmeter.
- Gebruik de draadloze hartslagmeter nooit in combinatie met de handsensoren om storing te voorkomen.

! WAARSCHUWING!

- Indien u een pacemaker heeft raden wij aan uw huisarts te raadplegen voordat u een draadloze hartslagmeter gebruikt
- In ruimte met meerdere hartslagmeter raden wij aan voldoende afstand te houden om storing tussen verschillende apparaten te voorkomen.
- Probeer de draadloze hartslagmeter altijd binnen een bereik van 1 meter vanaf het console te houden voor een optimaal ontvangst.
- Draag een draadloze hartslagmeter altijd direct op het lichaam, onder de kleding.

TRAINEN MET FITNESS APPS

VirtuFit verleent geen service voor fitness-apps van derdepartijen zoals Kinomap, iConsole, FitShow etc.. Zijn er problemen met een fitness-app, neem dan contact met de desbetreffende app ontwikkelaar.

Instructie

- Om de QR-code te scannen met een Android of IOS telefoon of tablet is een QR-code scanner nodig. De app om QR-codes te scannen kan in de App Store of Google Play Store worden gedownload.
- Scan één van de QR-codes hieronder om direct naar de pagina in de App Store of Google Play Store te gaan waar de fitnessapp gedownload kan worden.
- Scan de QR-code aan de rechterkant om naar de handleiding van de fitnessapp te gaan. In de handleiding staat stap voor stap beschreven hoe de fitnessapp verbonden dient te worden met het toestel, hoe de fitnessapp werkt en welke mogelijkheden er zijn.

Fitshow



APP STORE

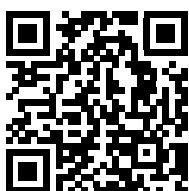


GOOGLE PLAY



MANUAL

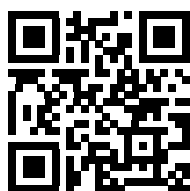
Zwift



APP STORE



GOOGLE PLAY



MANUAL

ONDERHOUD

Veilig en effectief gebruik kan alleen worden bereikt als het toestel goed wordt gemonteerd en onderhouden. Het is uw verantwoordelijkheid om ervoor te zorgen dat het toestel regelmatig wordt onderhouden. Onderdelen die al zijn gebruikt en/of beschadigd, moeten worden vervangen voordat het toestel verder gebruikt wordt. Het toestel mag alleen binnen worden gebruikt en opgeborgen. Langdurige blootstelling aan verwerking en veranderingen in temperatuur/vochtigheid kunnen een ernstige impact hebben op de elektrische componenten en bewegende delen van het toestel. Haal altijd de stroomkabel van het toestel uit het stopcontact voordat het apparaat wordt schoongemaakt of onderhouden.

Dagelijks onderhoud

- Reinig en verwijder zweet en vocht na elk gebruik.
- Controleer of het toestel vrij is van stof en vuil.
- Gebruik geen agressieve schoonmaakmiddelen en zorg dat het toestel vochtvrij blijft.

Halfjaarlijks onderhoud

- Inspecteer alle bouten en moeren in verband met bewegende delen van het toestel. Draai bouten en moeren vast indien nodig en zoals vereist.

We raden aan het volgende te doen:

- Maak het toestel na gebruik schoon.
- Gebruik een droge doek om het bedieningspaneel en gebieden rond de aan- en uitschakelaar te reinigen.
- Gebruik een zachte schone doek en reinigingsmiddel om hardnekkige vlekken en vuil op het toestel te verwijderen.
- Houd het toestel op een veilige en droge plaats en uit de buurt van warmte en water.

LET OP! Elke reparatie moet door een professionele technicus worden uitgevoerd, tenzij anders aangegeven door de leverancier of fabrikant.

Schoonmaak

Algemene reiniging van het apparaat zal de levensduur van het toestel verlengen. Houd het toestel schoon door regelmatig af te stoffen.

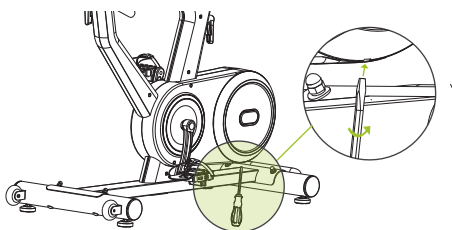
Regelmatig onderhoud verlengt de levensduur van uw toestel en voorkomt letsel! Kijk voor meer informatie op <https://www.virtufit.nl/service/faq/>

LET OP! Draag schone schoenen zodat de kans op vervuiling van het toestel vermindert.

Kettingkast openen

- Leg een kruiskop- en platte schroevendraaier klaar.
- Zoek het gaatje aan de onderkant van het kettingkast.
- Steek de platte schroevendraaier in het gaatje.
- Trek de kettingkast iets open, terwijl het handvat van de platte schroevendraaier wordt vastgehouden.

- Demonteer de schroeven met de kruiskopschroevendraaier.



PROBLEEMOPLOSSINGEN

Display geeft geen waardes weer: Controleer of de sensorkabels en de kabels van het console goed zijn bevestigd

en onbeschadigd zijn. Mocht het probleem hierdoor niet zijn verholpen, neem contact op met de leverancier.

Apparaat piept: Controleer of alle bouten en moeren stevig zijn vastgedraaid. Controleer of het remblok ingesmeerd moet worden.

Tikkend geluid bij het trappen: Dit kan worden veroorzaakt door één van de trappers. Demonteer de trapper(s) en monteer de trapper(s) op de juiste manier aan het toestel. Draai de trapper(s) stevig aan. Mocht het probleem hierdoor niet zijn verholpen, neem contact op met de leverancier.

LET OP! Pedaal "R" (rechts) dient te worden gemonteerd met de klok mee en pedaal "L" (links) dient te worden gemonteerd tegen de klok in.

Het console werkt niet: Wanneer er geen signaal is wanneer u trapt, controleer of de kabel goed is aangesloten.

Hartslagweergave functioneert niet:

- De sensor kabeltjes van de hartslagsensor naar het display zijn niet goed gemonteerd of zijn losgeraakt tijdens gebruik.
- Het kan zijn dat de sensoren vochtig, vies of vet geworden zijn. Maak deze regelmatig schoon. Als er geen signaal is wanneer u trapt controleer dan of de kabel goed is bevestigd.

FOUTCODES

E1:

- **De motor werkt niet (motorische problemen)**
Oplossing: Controleer of de stekker van de motorbedrading correct is aangesloten. Sluit de stekker opnieuw aan. Mocht het probleem hierdoor niet zijn verholpen, neem contact op met de leverancier.

- **Kabelbreuk in de machine**

Oplossing: Controleer of de kabels onbeschadigd zijn of kortsluiting kunnen veroorzaken. Vervang de kabel. Mocht het probleem hierdoor niet zijn verholpen, neem contact op met de leverancier.

- **Het console geeft geen signaal naar de motor**

Oplossing: Vervang het console. Mocht het probleem hierdoor niet zijn verholpen, neem contact op met de leverancier.

E2:

- **Na het starten van lichaamsvettest wordt de handsensor niet snel genoeg met de hand vastgehouden**

Oplossing: Houd de handsensor binnen 3 seconden nadat het testprogramma start vast. Mocht het probleem hierdoor niet zijn verholpen, neem contact op met de leverancier.

- **Het console geeft de hartslagwaarde niet weer**

Oplossing: Controleer of er in een andere modus wel een hartslagwaarde wordt weergegeven. Mocht het probleem hierdoor niet zijn verholpen, neem contact op met de leverancier.

CONSOLE (FIG. A)



- **[-] [+]** Druk om een programma te kiezen of verhoog/verlaag de waardes.
- **[↻]** Druk om naar het hoofdmenu te gaan. Houd ingedrukt om alle waardes te resetten.
- **[❤]** Recovery - Hartslag Herstel test.
- **[←]** Bevestig de gekozen waarde.
- **[▶]** Start of stop de training.
- **[-] [+] FRONT** Stuur links. Voorste versnelling verhogen of verlagen.
- **[-] [+] REAR** Stuur rechts. Achterste versnelling verhogen of verlagen.

Functies

- **RPM** Omwentelingen per minuut.
- **SPEED** De huidige snelheid tijdens de oefening wordt weergegeven.
- **TIME** De tijd gemeten vanaf het begin van de oefening wordt

- weergegeven. Als er een trainingstijd is ingesteld, zal de tijd worden afgeteld.
- **DISTANCE** De afgelegde afstand tijdens de oefening wordt weergegeven. Als er een afstand is ingesteld, zal de afstand worden afgeteld.
- **AVERAGE SPEED** De gemiddelde snelheid tijdens de training.
- **CALORIES** Het aantal verbrande calorieën tijdens de oefening wordt weergegeven. Als er een caloriëdoel is ingesteld, zal het aantal calorieën worden afgeteld.
- **PULSE** Bij gebruik van een borstband zal de hartslag worden weergegeven tijdens het sporten. Als een doelhartslag is ingesteld, zal er een alarm klinken wanneer de doelhartslag is bereikt.
- **WATT** Geeft het wattage weer.
- **GEAR** 24 weerstandsniveaus.
- **FRONT** Voorste versnelling 1-3.
- **REAR** Achterste versnelling 1-8.

PROGRAMMA'S (FIG.B, 1-3)

Handmatig programma (FIG. B-1)

- Druk op om de verschillende programma's te bekijken. P1 klimmodus, P2 bergmodus, P3 snelwegmodus, P4 intervalmodus, P5 relaxmodus, P6 circuitmodus.
- Druk op om de training te starten of druk op om naar de instellingsmodus te gaan.
- Druk in de instellingsmodus op om de ingestelde waarde te selecteren. De geselecteerde waarde (tijd, afstand, calorieën, leeftijd) zal knipperen (in P1-P5).
- Druk op om naar boven of beneden in te stellen en druk op om het volgende item te selecteren.
- Druk op om de training te starten.
- Tijdens de training zal de weerstand automatisch worden aangepast volgens het ingestelde programma. Mocht dit niet naar wens zijn kan worden ingedrukt om de waarde te verhogen of te verlagen.
- Als één van de instellingen is ingesteld wordt de bijbehorende waarde afgeteld. Als deze waarde bij 0 is, zal er een geluidsignaal klinken.
- Druk tijdens de training op om de het toestel te laten stoppen of pauzeren.

Body Fat (FIG. B-2)

- Druk op om de het programma te kiezen. De instellingsvolgorde is geslacht -> lengte -> gewicht -> leeftijd.
- Druk op om de waarde te verhogen of te verlagen.

- M staat voor mannelijk en F staat voor vrouwelijk.
- Houd 8 seconden ingedrukt om de test te starten en het display geeft BMI, FAT% en BMR weer. **LET OP! Druk voor de test op de hartslagsensor in de continue weergave.**
- De test moet worden uitgevoerd wanneer het lichaam ontspannen is en de hartslag rustig is.

BMI (BODY MASS INDEX)

GENDER/AGE	THIN	NORMAL	SLIGHTLY FAT	FAT	OBESE
MALE < 30	< 14	14 ~ 20	20.1 ~ 25	25.1 ~ 35	> 35
MALE >30	< 17	17 ~ 23	23.1 ~ 28	28.1 ~ 38	> 38
FEMALE <30	< 17	17 ~ 24	24.1 ~ 30	30.1 ~ 40	> 40
FEMALE >30	< 20	20 ~ 27	27.1 ~ 33	33.1 ~ 43	> 43

BODY FAT (%)

GENDER	LOW	MEDIUM	MEDIUM/HIGH	HIGH
MALE	< 13	13 - 25.9	26 - 30	> 30
FEMALE	< 23	23 - 35.9	36 - 40	> 40

B.M.R. (BASALE METABOLISCHE SNELHEID)

Het gemiddelde aantal verbrande calorieën per dag voor de eerste levensbehoefte.

- **Referentie** 1300 ± 100 (22 - 40 jaar).

BODY TYPE (COMPOSITE FIGURE)

B1	EXTREMELY THIN	B6	ABOVE NORMAL
B2	THIN	B7	OVERWEIGHT
B3	RELATIVELY THIN	B8	OBESE
B4	BELOW NORMAL	B9	EXTREMELY OBESE
B5	NORMAL		

HRC (FIG. B-3)

- Druk op om de het programma te kiezen. De instellingsvolgorde is tijd -> afstand -> calorieën -> doelhartslag.
- Druk op om de waarde te verhogen of te verlagen.
- Druk op om de training te starten. De weerstand wordt automatisch aangepast aan de doelhartslag.
- Als één van de instellingen is ingesteld wordt de bijbehorende waarde afgeteld. Als deze waarde bij 0 is, zal er een geluidsignaal klinken.
- Druk tijdens de training op om de het toestel te laten stoppen of pauzeren.

LET OP! Voor een betere gebruikerservaring van de HRC-functie wordt tijdens het trainen aanbevolen een draadloze borstband te dragen. Als het display de hartslagwaarde niet detecteert, zal de weerstand niet automatisch veranderen.

Gebruikersprogramma (FIG. B-4)

- Druk op om de het programma U1-U4 te kiezen.
- Druk op om de training te starten of druk op om naar de instellingsmodus te gaan. De instellingsvolgorde is tijd -> afstand -> calorieën -> weerstand.
- Druk op om de waarde te verhogen of verlagen of om naar het volgende item te gaan.
- Druk op om de training te starten en druk tijdens de training op om de weerstand te verhogen of verlagen.
- Als één van de instellingen is ingesteld wordt de bijbehorende waarde afgeteld. Als deze waarde bij 0 is, zal er een geluidsignaal klinken.
- Druk tijdens de training op om de het toestel te laten stoppen of pauzeren.

Recovery (FIG. B-5)

- Druk tijdens de training op wanneer de hartslagwaarde wordt weergegeven en houd de hartslag in de gaten.
- TIME toont "0:60" en begint vanaf 60 seconden af te tellen. Het systeem begint met testen.
- Wanneer TIME bij "0:00" is, wordt F1 - F6 op het display weergegeven. Dit geeft het niveau van uw hartslagherstel weer.

F1 = 1.0	OPTIMUM
1.0 < F2 < 2.0	GOOD
2.0 < F3 < 2.9	RELATIVELY GOOD
3.0 < F4 < 3.9	NORMAL
4.0 < F5 < 5.9	RELATIVELY BAD
F6 = 6.0	BAD

LET OP! Het wordt aanbevolen om de hartslagtest binnen het bereik van de aerobe hartslagwaarde tijdens de training uit te voeren. Hierdoor wordt het testresultaat niet beïnvloedt.

Pulse

ZIE OOK HOOFDSTUK "TRAINEN MET HARTSLAG".

AGE	TRAINING ZONE MIN-MAX (BPM)
20	133 - 167

AGE	TRAINING ZONE MIN-MAX (BPM)
55	122 - 155

AGE	TRAINING ZONE MIN-MAX (BPM)
25	132 - 166
30	130 - 164
35	129 - 162
40	127 - 161
45	125 - 159
50	124 - 156

AGE	TRAINING ZONE MIN-MAX (BPM)
60	121 - 153
65	119 - 151
70	118 - 150
75	117 - 147
80	115 - 146
85	114 - 144

TRAININGSRICHTLIJNEN (FIG. C, 1-5)

Een succesvol trainingsprogramma bestaat uit een warming-up, de training zelf en een cooling down. Voer de hele training minstens twee, maar bij voorkeur drie keer per week uit en houdt één dag rust tussen de trainingen. Na enkele maanden kan de trainingsintensiteit worden verhoogd tot bijvoorbeeld vier of vijf keer per week.

Warming-up

Het doel van een warming-up is dat het lichaam voorbereid wordt op een training en het vermindert de kans op blessures. Warm het lichaam op in twee tot vijf minuten voordat er met een cardio- of krachttraining begonnen wordt. Doe oefeningen die de hartslag verhogen en de werkende spieren opwarmen. Voorbeelden van dit soort activiteiten zijn: vlot lopen, joggen, jumping jacks, touwtje springen en rennen op de plaats.

Stretchen

Stretchen terwijl spieren warm zijn, is zeer belangrijk na een goede warming-up en cooling-down. Het vermindert de kans op blessures. Stretchoefeningen dienen gedurende 15 tot 30 seconden worden vastgehouden. Voorbeelden van stretchoefeningen zijn:

- Toe touch (Fig. C-1)
- Inner thigh stretch (Fig. C-2)
- Hamstring stretch (Fig. C-3)
- Achilles stretch (Fig. C-4)
- Side stretch (Fig. C-5)

Cooling-down

Het doel van de cooling-down is het lichaam aan het einde van de training terug te brengen naar de (bijna) normale ruststand. Een goede cooling-down vermindert langzaam uw hartslag en bevordert het herstel.

INHALTE

Sicherheitshinweise	25
Bürgschaft	25
Anweisungen zum Einbau	25
Einstellen	26
Transportieren	27
Herzfrequenz-Training	27
Training mit Fitnessanwendunge	28
Wartung	28
Fehlersuche	29
Fehlercodes	29
Konsole	29
Programme	30
Trainingsrichtlinien	31

SICHERHEITSHINWEISE

WARNUNG!

Konsultieren Sie Ihren Arzt, bevor Sie mit dem Training beginnen. Dies ist besonders wichtig für Menschen mit gesundheitlichen Problemen. Bitte lesen Sie alle Anweisungen, bevor Sie das Gerät benutzen. VirtuFit übernimmt keine Verantwortung für Verletzungen oder Sachschäden, die durch die Verwendung dieses Geräts entstehen. Bitte lesen Sie diese Anleitung sorgfältig durch, bevor Sie das Gerät zusammenbauen und/oder benutzen.

- Vergewissern Sie sich, dass das Gerät richtig zusammengebaut ist und dass alle Schrauben und Muttern fest angezogen sind, bevor Sie es benutzen.
- Tragen Sie keine weite Kleidung, um zu vermeiden, dass Sie sich in beweglichen Teilen verfangen.
- Stellen Sie das Gerät auf einer festen, ebenen Fläche auf und benutzen Sie es.
- Tragen Sie immer saubere Sportschuhe, wenn Sie das Gerät benutzen.
- Halten Sie Kinder und Haustiere von dem Gerät fern, wenn Sie es benutzen.
- Achten Sie bei der Benutzung des Geräts auf Ihr Gleichgewicht.
- Stecken Sie Ihre Finger oder andere Gegenstände nicht in die beweglichen Teile.

- Konsultieren Sie vor dem Training Ihren Arzt, um die für Ihr Alter und Ihre körperliche Verfassung angemessene Häufigkeit, Dauer und Intensität des Trainings zu bestimmen. Brechen Sie das Training sofort ab, wenn Sie Übelkeit, Kurzatmigkeit, Ohnmacht, Kopfschmerzen, Brustschmerzen, Engegefühl oder andere Beschwerden verspüren.
- Halten Sie das Gerät nicht am Sitz fest, wenn Sie sich bewegen.
- Dieses Gerät darf nur von einer Person gleichzeitig benutzt werden.
- Das Gerät ist für den Hausgebrauch konzipiert und das maximale Benutzergewicht beträgt 130 kg.
- Lassen Sie hinter der Maschine 1-2 Meter Platz, um Unfälle zu vermeiden.
- Stellen Sie das Gerät auf eine saubere, ebene Fläche. Stellen Sie das Gerät nicht auf einen dicken Teppich, da dies die Belüftung des Geräts behindern kann. Stellen Sie das Gerät nicht im Freien oder in der Nähe von Wasser auf.
- Halten Sie den Aufbewahrungsort trocken, sauber und eben, um Schäden zu vermeiden. Verwenden Sie das Gerät nicht für andere Zwecke als zum Training.
- Verwenden Sie das Gerät nur in einer Umgebung, in der die Umgebungstemperatur zwischen 10°C und 35°C liegt. Lagern Sie das Gerät nur in einer Umgebung, in der die Temperatur zwischen 5°C und 45°C liegt.

BÜRGSCHAFT

Gewährleistungsansprüche sind ausgeschlossen, wenn die Ursache des Mangels die Folge ist von:

- Wartungs- und Reparaturarbeiten, die nicht von einem Vertragshändler durchgeführt wurden. Sofern vom Lieferanten oder Hersteller nicht anders angegeben.
- Unsachgemäßer Gebrauch, Nachlässigkeit und/oder schlechte Wartung.
- Wenn das Gerät nicht gemäß den Anweisungen des Herstellers gewartet wurde.

MONTAGEANLEITUNG (STEP 01-05)

Fehlende Teile: Sollten Teile in der Verpackung fehlen, überprüfen Sie

bitte sorgfältig den Styroporschaum und das Gerät selbst. Einige Teile (Bolzen, Schrauben, usw.) sind bereits am Gerät angebracht.

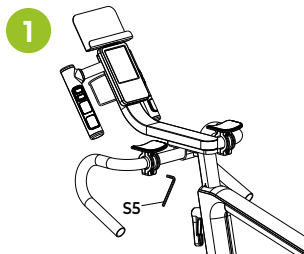
Fehlermeldung: Vergewissern Sie sich, dass alle Kabel sorgfältig angebracht sind. Die Aluminiumfüße der Konsole sind sehr empfindlich und müssen gerade gehalten werden. Wenn die Konsole eine Fehlermeldung ausgibt, nachdem das Gerät montiert wurde, sind die Aluminiumfüße der Konsole möglicherweise verbogen. Das Richten der Aluminiumfüße kann dazu führen, dass die Fehlermeldung verschwindet.

Sechskant-Schrauben: Achten Sie darauf, dass der Sechskantschlüssel in die Schraube gedrückt wird, bevor Sie Kraft anwenden. Dadurch wird verhindert, dass sich der Kopf der Innensechskantschraube dreht.

EINSTELLUNG

Einstellen der Krümmerpolster (1)

- Lösen Sie die Schrauben der Ellenbogenpolster mit dem Sechskantschlüssel S5.
- Stellen Sie die Ellbogenpolster auf eine bequeme Position ein.
- Ziehen Sie die Schrauben wieder an.

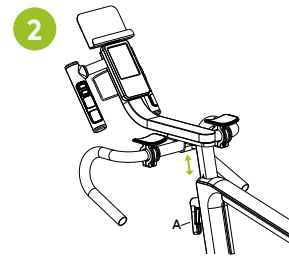


Einstellen des Lenkers (2)

Stellen Sie vor dem Training den Lenker und den Sattel auf die Höhe und den Abstand ein, die für den Benutzer am besten geeignet sind.

Gehen Sie wie folgt vor, um den Lenker einzustellen (FIG. 2):

- Drehen Sie den Einstellknopf (A) an der Vorderseite des Haupttrahmens gegen den Uhrzeigersinn.
- Der Lenker ist entriegelt und kann auf die richtige Höhe eingestellt werden.
- Ziehen Sie den runden Einstellknopf durch Drehen im Uhrzeigersinn fest.

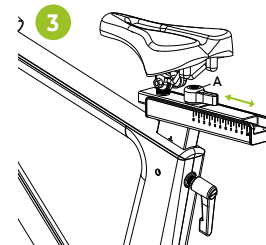


Einstellen des Sattels (3-4)

Stellen Sie vor der Fahrt die Position des Lenkers und des Sattels auf die Höhe und den Abstand ein, die für den Benutzer am besten geeignet sind

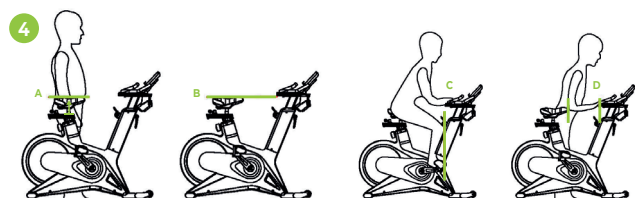
Gehen Sie wie folgt vor, um die horizontale Position des Sattels einzustellen (FIG. 3):

- Drehen Sie den Einstellknopf auf der Unterseite des Sattels gegen den Uhrzeigersinn.
- Der Sattel löst sich und kann in eine horizontale Position gebracht werden, um den Abstand zwischen Sattel und Lenker einzustellen.
- Ziehen Sie den Einstellknopf durch Drehen im Uhrzeigersinn fest.



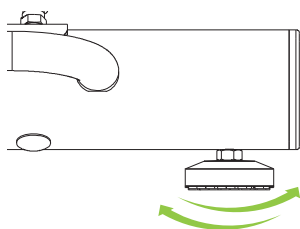
Gehen Sie wie folgt vor, um die Sitzhöhe einzustellen (FIG. 4):

- Stellen Sie sich neben das Gerät und stellen Sie den Sitz auf Hüfthöhe ein (FIG. 4A).
- Die Höhe des Sattels und des Lenkers sollten übereinstimmen (FIG. 4B). Ist dies nicht der Fall, passen Sie die Höhe des Lenkers an die Höhe des Sattels an.
- Vergewissern Sie sich, dass sich Ihr Knie genau hinter Ihrem Fuß befindet, wenn Ihr Fuß zur Vorderseite der Maschine zeigt (FIG. 4C).
- Stellen Sie den Lenker so ein, dass der Abstand zwischen dem Sattel und dem Lenker der Länge Ihres Unterarms entspricht (FIG. 4D).



Waterpas

Achten Sie darauf, dass das Fahrrad immer auf einer stabilen Unterlage steht. Im Zweifelsfall kann eine Gummimatte unter den Heimtrainer gelegt werden, um einen besseren Halt auf dem Boden zu gewährleisten. Der Heimtrainer kann durch Drehen der verstellbaren FüÙe auf beiden Seiten des Fahrrads eingestellt werden (ABB. A). Dadurch kann der Heimtrainer Unebenheiten im Boden ausgleichen.



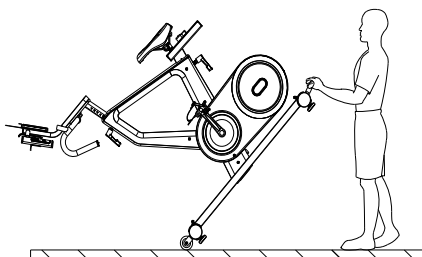
Sicherheitsgurte

- Steigen Sie auf das Fahrrad.
- Stellen Sie Ihren Fuß auf das Pedal und ziehen Sie den Gurt fest.
- Treten Sie in die Pedale.
- Denken Sie daran, nach dem Treten der Pedale den Sicherheitsknopf zu drücken, bevor Sie den Sicherheitsgurt lösen.
- Sie können nun sicher vom Fahrrad absteigen.

TRANSPORTIEREN

ACHTUNG! Lagern Sie das Gerät an einem trockenen Ort und außerhalb der Reichweite von Kindern. Vergewissern Sie sich, dass das Gerät stabil und sicher steht, damit es nicht auf Kinder oder Tiere fallen kann.

Drücken Sie den Lenker nach unten, bis die Transporträder des vorderen Stabilisators den Boden berühren. Wenn die Transporträder den Boden berühren, lässt sich das Fahrrad leicht an den gewünschten Ort bewegen.



TRAINING MIT HERZFREQUENZ

Handsensoren

Dieses VirtuFit Fitnessgerät ist mit Handsensoren zur Messung der Herzfrequenz ausgestattet. Die Handsensoren sind am Griff angebracht und funktionieren nur, wenn beide Sensoren über einen längeren Zeitraum gehalten werden. Für eine optimale Leistung ist es wichtig, dass die Hände leicht feucht sind und einen konstanten Druck auf die Sensoren ausüben. Zu trockene oder feuchte Hände können zu abnormalen Messwerten führen.

HINWEIS! Um Interferenzen zu vermeiden, verwenden Sie die Handsensoren niemals mit einem drahtlosen Herzfrequenzmessgerät.

Drahtloses Herzfrequenzmessgerät (5 kHz)

Dieses VirtuFit Fitnessgerät ist mit einem drahtlosen Herzfrequenz-Empfänger ausgestattet. Für die Herzfrequenzmessung mit einem drahtlosen Herzfrequenzmessgerät verwenden Sie ein Herzfrequenzmessgerät, das mit einer Frequenz von 5 kHz arbeitet. Bei einem kabellosen Herzfrequenzmessgerät ist es wichtig, dass die Elektroden leicht feucht sind und das Herzfrequenzmessgerät gut an Ihrem Körper anliegt. Lesen Sie die Gebrauchsanweisung Ihres Herzfrequenzmessgeräts, um die richtigen Anweisungen zu erhalten. Eine unsachgemäÙe Verwendung des Herzfrequenzmessgeräts kann zu abnormalen Messwerten führen.

HINWEIS!

- Ein drahtloses Herzfrequenzmessgerät ist nicht im Lieferumfang enthalten. Wenden Sie sich an Ihren Händler, um ein drahtloses Herzfrequenzmessgerät zu erwerben.
- Um Interferenzen zu vermeiden, verwenden Sie das drahtlose Herzfrequenzmessgerät niemals in Kombination mit den Handsensoren.

! WARNUNG!

- Wenn Sie einen Herzschrittmacher tragen, empfehlen wir Ihnen, Ihren Arzt zu konsultieren, bevor Sie ein drahtloses Herzfrequenzmessgerät verwenden.
- In Räumen mit mehreren Herzfrequenzmessgeräten wird empfohlen, genügend Abstand zu halten, um Störungen zwischen den verschiedenen Geräten zu vermeiden.
- Versuchen Sie immer, das drahtlose Herzfrequenzmessgerät innerhalb eines Abstands von 1 Meter von der Konsole zu halten, um einen optimalen Empfang zu gewährleisten.
- Tragen Sie ein drahtloses Herzfrequenzmessgerät immer direkt am Körper, unter der Kleidung.

TRAINING MIT FITNESSANWENDUNG

VirtuFit bietet keinen Service für Fitnessanwendungen von Drittanbietern wie Kinomap, iConsole, FitShow usw. Wenn Sie Probleme mit einer Fitness-Anwendung eines Drittanbieters haben, wenden Sie sich bitte an den Entwickler der betreffenden Anwendung.

Anleitung

- Um den QR-Code mit einem Android- oder IOS-Telefon oder -Tablet zu scannen, ist ein QR-Code-Scanner erforderlich. Die App zum Scannen von QR-Codes kann im App Store oder im Google Play Store heruntergeladen werden.
- Scannen Sie einen der unten stehenden QR-Codes, um direkt zur Seite des App Store oder Google Play Store zu gelangen, wo die Fitness-App heruntergeladen werden kann.
- Scannen Sie den QR-Code auf der rechten Seite, um das Handbuch für die Fitness-App aufzurufen. Das Handbuch beschreibt Schritt für Schritt, wie Sie die Fitness-App mit dem Gerät verbinden, wie die Fitness-App funktioniert und welche Möglichkeiten sie bietet.

Fitshow



APP STORE



GOOGLE PLAY



MANUAL

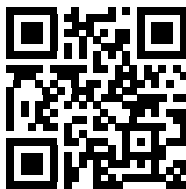
Zwift



APP STORE



GOOGLE PLAY



MANUAL

WARTUNG

Eine sichere und effiziente Nutzung kann nur erreicht werden, wenn das Gerät ordnungsgemäß installiert und gewartet wird. Es liegt in Ihrer Verantwortung, dafür zu sorgen, dass das Gerät regelmäßig

gewartet wird. Benutzte und/oder beschädigte Teile müssen ersetzt werden, bevor das Gerät wieder benutzt wird. Das Gerät sollte nur in Innenräumen verwendet und gelagert werden. Wenn das Gerät über einen längeren Zeitraum hinweg Witterungseinflüssen sowie Temperatur- und Feuchtigkeitsschwankungen ausgesetzt ist, kann dies schwerwiegende Auswirkungen auf die elektrischen Komponenten und beweglichen Teile des Geräts haben. Ziehen Sie immer den Netzstecker aus dem Gerät, bevor Sie es reinigen oder warten.

Tägliche Wartung

- Reinigen Sie das Gerät nach jedem Gebrauch und entfernen Sie Schweiß und Feuchtigkeit.
- Prüfen Sie, ob das Gerät frei von Staub und Schmutz ist.
- Verwenden Sie keine aggressiven Reinigungsmittel und halten Sie das Gerät von Feuchtigkeit fern.

Halbjährliche Wartung

- Überprüfen Sie alle Schrauben und Muttern, die mit den beweglichen Teilen des Geräts verbunden sind. Ziehen Sie die Schrauben und Muttern nach Bedarf und Bedarf an.

Wir empfehlen Folgendes:

- Reinigen Sie das Gerät nach dem Gebrauch.
- Verwenden Sie ein trockenes Tuch, um das Bedienfeld und die Bereiche um den Ein-/Ausschalter zu reinigen.
- Verwenden Sie ein weiches, sauberes Tuch und Reinigungsmittel, um hartnäckige Flecken und Schmutz vom Gerät zu entfernen.
- Bewahren Sie das Gerät an einem sicheren, trockenen Ort auf, der vor Hitze und Wasser geschützt ist.

VORSICHT! Reparaturen müssen von einem professionellen Techniker durchgeführt werden, es sei denn, der Lieferant oder Hersteller schreibt etwas anderes vor.

Reinigung

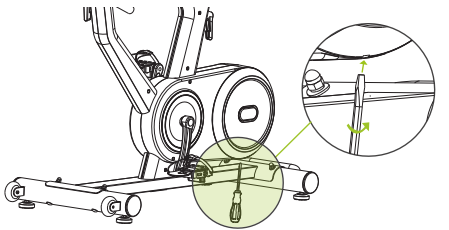
Eine allgemeine Reinigung des Geräts verlängert dessen Lebensdauer. Halten Sie das Gerät sauber, indem Sie es regelmäßig abstauben. Eine regelmäßige Wartung verlängert die Lebensdauer Ihres Geräts und beugt Verletzungen vor! Für weitere Informationen besuchen Sie bitte <https://www.virtufit.nl/service/faq/>

VORSICHT! Tragen Sie saubere Schuhe, um das Risiko einer

Verschmutzung des Geräts zu verringern. Nehmen Sie mindestens einmal im Jahr die Abdeckung ab, um den Staub zu entfernen.

Öffnen des Kettenspeichers

- Halten Sie einen Kreuzschlitzschraubendreher und einen Schlitzschraubendreher bereit.
- Suchen Sie das Loch an der Unterseite des Kettenspeichers.
- Führen Sie den Schlitzschraubendreher in das Loch ein.
- Ziehen Sie den Kettenspeicher leicht auf, während Sie den Griff des Schlitzschraubendrehers festhalten.
- Entfernen Sie die Schrauben mit dem Kreuzschlitzschraubendreher.



FEHLERSUCHE

Das Display zeigt keine Werte an: Prüfen Sie, ob die Kabel des Sensors und der Konsole richtig angeschlossen und unbeschädigt sind. Wenn das Problem dadurch nicht behoben wird, wenden Sie sich an den Lieferanten.

Der Gerät quietscht: Prüfen Sie, ob alle Schrauben und Muttern fest angezogen sind. Tragen Sie ggf. Silikonspray auf. Prüfen Sie, ob der Bremsbelag geschmiert werden muss.

Tickendes Geräusch beim Treten: Dies kann von einem der Pedale verursacht werden. Entfernen Sie das/die Pedal(e) und montieren Sie es/sie korrekt auf dem Gerät. Ziehen Sie das/die Pedal(e) fest an. Wenn das Problem dadurch nicht behoben wird, wenden Sie sich an den Lieferanten.

HINWEIS! Das "R"-Pedal (rechts) muss im Uhrzeigersinn und das "L"-Pedal (links) muss gegen den Uhrzeigersinn montiert werden.

Die Konsole funktioniert nicht: Wenn beim Treten der Pedale kein Signal anliegt, prüfen Sie, ob das Kabel richtig angeschlossen ist.

Die Herzfrequenzanzeige funktioniert nicht:

- Die Sensorkabel vom Herzfrequenzsensor zur Anzeige sind nicht richtig angebracht oder haben sich während des Gebrauchs gelöst.

- Die Sensoren können feucht, schmutzig oder fettig geworden sein. Reinigen Sie sie regelmäßig. Wenn Sie beim Treten kein Signal erhalten, überprüfen Sie, ob das Kabel richtig angeschlossen ist.

FEHLERCODES

E1:

Der Motor funktioniert nicht (Motorprobleme)

Lösung: Prüfen Sie, ob der Stecker des Motorkabels richtig angeschlossen ist. Schließen Sie den Stecker wieder an. Wenn das Problem dadurch nicht behoben werden kann, wenden Sie sich an den Lieferanten.

- **Gebrochenes Kabel in der Maschine**

Lösung: Überprüfen Sie, dass die Kabel nicht beschädigt sind oder die Gefahr eines Kurzschlusses besteht. Tauschen Sie das Kabel aus. Wenn das Problem dadurch nicht gelöst wird, wenden Sie sich an den Lieferanten.

- **Die Konsole gibt kein Signal an den Motor**

Lösung: Tauschen Sie die Konsole aus. Wenn das Problem dadurch nicht behoben wird, wenden Sie sich an den Lieferanten.

E2:

- **Nach dem Start des Körperfetttests wird der Handsensor nicht schnell genug mit der Hand gehalten.**

Lösung: Halten Sie den Handsensor innerhalb von 3 Sekunden nach dem Start des Testprogramms. Wenn das Problem dadurch nicht behoben wird, wenden Sie sich an den Lieferanten.

- **Die Konsole zeigt den Herzfrequenzwert nicht an**

Lösung: Prüfen Sie, ob ein Herzfrequenzwert in einem anderen Modus angezeigt wird. Wenn das Problem dadurch nicht behoben wird, wenden Sie sich an den Lieferanten.

CONSOLE (FIG. A)



- Drücken, um ein Programm auszuwählen oder Werte zu erhöhen/verringern.
- Drücken Sie, um zum Hauptmenü zu gelangen. Drücken und halten Sie die Taste, um alle Werte zurückzusetzen.

- Recovery - Herzfrequenz Erholungstest.
- Bestätigen Sie den ausgewählten Wert.
- Training starten oder beenden.
- **FRONT** Linker Seite lenken. Vorderen Gang erhöhen oder verringern.
- **REAR** Rechte Seite lenken. Erhöhen oder Verringern des hinteren Gangs.

Funktionen

- **RPM** Umdrehungen pro Minute.
- **SPEED** Die aktuelle Geschwindigkeit während des Trainings wird angezeigt.
- **TIME** Die Zeit, die seit Beginn der Übung gemessen wurde, wird angezeigt. Wenn eine Trainingszeit eingestellt wurde, wird die Zeit heruntergezählt.
- **DISTANCE** Die während der Übung zurückgelegte Distanz wird angezeigt. Wenn eine Distanz eingestellt ist, wird die Distanz heruntergezählt.
- **AVERAGE SPEED** Die durchschnittliche Geschwindigkeit während des Trainings.
- **CALORIES** Es wird die Anzahl der während des Trainings verbrannten Kalorien angezeigt. Wenn ein Kalorienziel festgelegt wurde, wird die Anzahl der Kalorien heruntergezählt.
- **PULSE** Wenn Sie einen Brustgurt tragen, wird während des Trainings die Herzfrequenz angezeigt. Wenn eine Zielherzfrequenz eingestellt ist, ertönt ein Alarm, wenn die Zielherzfrequenz erreicht wird.
- **WATT** Zeigt die Wattzahl an.
- **GEAR** 24 Widerstandsstufen.
- **FRONT** Vorderer Gang 1-3.
- **REAR** Hinterer Gang 1-8.

PROGRAMME (FIG.B, 1-3)

Manuelles Programm (FIG. B-1)

- Drücken Sie um die verschiedenen Programme anzuzeigen. P1 Klettermodus, P2 Bergmodus, P3 Autobahnmodus, P4 Intervallmodus, P5 Entspannungsmodus, P6 Zirkelmodus.
- Drücken Sie um das Training zu starten, oder drücken Sie um in den Einstellmodus zu gelangen.
- Im Einstellmodus drücken Sie um den eingestellten Wert auszuwählen. Der ausgewählte Wert (Zeit, Distanz, Kalorien, Alter) blinkt (in P1-P5).
- Drücken Sie um den Wert zu erhöhen oder zu

verringern, und drücken Sie um das nächste Element auszuwählen.

- Drücken Sie um das Training zu starten.
- Während des Trainings wird der Widerstand automatisch entsprechend dem von Ihnen eingestellten Programm angepasst. Wenn Sie damit nicht zufrieden sind, können Sie drücken, um den Wert zu erhöhen oder zu verringern.
- Wenn eine der Einstellungen vorgenommen wird, wird der entsprechende Wert heruntergezählt. Wenn dieser Wert 0 ist, ertönt ein Signal.
- Drücken Sie während des Trainings um das Gerät anzuhalten oder zu pausieren.

Body Fat (FIG. B-2)

- Drücken Sie um das Programm zu wählen. Die Reihenfolge der Einstellung ist: Geschlecht -> Größe -> Gewicht -> Alter.
- Drücken Sie um den Wert zu erhöhen oder zu verringern.
- M bedeutet männlich und F bedeutet weiblich.
- Drücken Sie 8 Sekunden lang, um den Test zu starten. Auf dem Display werden BMI, FAT% und BMR angezeigt.
ACHTUNG! Drücken Sie vor dem Test den Herzfrequenzsensor in der Daueranzeige.
- Der Test sollte durchgeführt werden, wenn der Körper entspannt ist und die Herzfrequenz ruhig ist.

BMI (BODY MASS INDEX)

GENDER/ AGE	THIN	NORMAL	SLIGHTLY FAT	FAT	OBESE
MALE < 30	< 14	14 ~ 20	20.1 ~ 25	25.1 ~ 35	> 35
MALE >30	< 17	17 ~ 23	23.1 ~ 28	28.1 ~ 38	> 38
FEMALE <30	< 17	17 ~ 24	24.1 ~ 30	30.1 ~ 40	> 40
FEMALE >30	< 20	20 ~ 27	27.1 ~ 33	33.1 ~ 43	> 43

BODY FAT (%)

GENDER	LOW	MEDIUM	MEDIUM/ HIGH	HIGH
MALE	< 13	13 - 25.9	26 - 30	> 30
FEMALE	< 23	23 - 35.9	36 - 40	> 40

B.M.R. (GRUNDUMSATZ)

Die durchschnittliche Anzahl von Kalorien, die pro Tag für die Grundbedürfnisse des Lebens verbrannt werden.e.

- **Referenzwert** 1300 ± 100 (22 - 40 Jahre).

BODY TYPE (COMPOSITE FIGURE)

B1	EXTREMELY THIN	B6	ABOVE NORMAL
B2	THIN	B7	OVERWEIGHT
B3	RELATIVELY THIN	B8	OBESE
B4	BELOW NORMAL	B9	EXTREMELY OBESE
B5	NORMAL		

HRC (FIG. B-3)

- Drücken Sie um das Programm zu wählen. Die Reihenfolge der Einstellung ist: Zeit -> Strecke -> Kalorien -> Zielherzfrequenz.
- Drücken Sie um den Wert zu erhöhen oder zu verringern.
- Drücken Sie um das Training zu starten. Der Widerstand wird automatisch an die Zielherzfrequenz angepasst.
- Wenn einer der Parameter eingestellt ist, wird der entsprechende Wert heruntergezählt. Wenn dieser Wert 0 ist, ertönt ein Signalton.
- Drücken Sie während des Trainings um das Gerät zu stoppen oder zu unterbrechen.

HINWEIS! Um die HRC-Funktion optimal zu nutzen, wird empfohlen, während des Trainings einen kabellosen Brustgurt zu tragen. Wenn die Anzeige den Herzfrequenzwert nicht erkennt, wird der Widerstand nicht automatisch geändert.

Benutzerprogramm (FIG. B-4)

- Drücken Sie um das Programm U1-U4 auszuwählen.
- Drücken Sie um das Training zu starten, oder um in den Einstellmodus zu gelangen. Die Reihenfolge der Einstellung ist: Zeit -> Distanz -> Kalorien -> Widerstand.
- Drücken Sie um den Wert zu erhöhen oder zu verringern oder um zum nächsten Punkt zu gelangen.
- Drücken Sie um das Training zu starten und drücken Sie während des Trainings um den Widerstand zu erhöhen oder zu verringern.
- Wenn einer der Parameter eingestellt ist, wird der entsprechende Wert heruntergezählt. Wenn dieser Wert 0 ist, ertönt ein Piepton.
- Drücken Sie während des Trainings um das Training zu stoppen oder zu unterbrechen.

Recovery (FIG. B-5)

- Drücken Sie während des Trainings wenn der

Herzfrequenzwert angezeigt wird, und überwachen Sie die Herzfrequenz.

- TIME zeigt "0:60" an und beginnt, von 60 Sekunden herunterzuzählen. Das System beginnt mit dem Test.
- Wenn TIME auf "0:00" steht, wird F1 - F6 auf dem Bildschirm angezeigt. Dies zeigt Ihre Herzfrequenz-Erholungsstufe an.

F1 = 1.0	OPTIMUM
1.0 < F2 < 2.0	GOOD
2.0 < F3 < 2.9	RELATIVELY GOOD
3.0 < F4 < 3.9	NORMAL
4.0 < F5 < 5.9	RELATIVELY BAD
F6 = 6.0	BAD

HINWEIS! Es wird empfohlen, den Herzfrequenztest während des Trainings innerhalb des aeroben Herzfrequenzbereichs durchzuführen. Dies hat keinen Einfluss auf das Testergebnis.

Pulse

SIEHE AUCH KAPITEL "TRAINING MIT HERZFREQUENZ".

AGE	TRAINING ZONE MIN-MAX (BPM)	AGE	TRAINING ZONE MIN-MAX (BPM)
20	133 - 167	55	122 - 155
25	132 - 166	60	121 - 153
30	130 - 164	65	119 - 151
35	129 - 162	70	118 - 150
40	127 - 161	75	117 - 147
45	125 - 159	80	115 - 146
50	124 - 156	85	114 - 144

TRAININGSRICHTLINIEN (FIG. C, 1-5)

Ein erfolgreiches Trainingsprogramm umfasst ein Aufwärmprogramm, das eigentliche Training und ein Abkühlungsprogramm. Führen Sie das komplette Trainingsprogramm mindestens zweimal, besser jedoch dreimal pro Woche durch und halten Sie einen Ruhetag zwischen den Trainingseinheiten ein. Nach einigen Monaten kann die Intensität des Trainings erhöht werden, zum Beispiel auf vier- oder fünfmal pro Woche.

Das Aufwärmen

Das Aufwärmen dient dazu, den Körper auf das Training vorzubereiten und das Verletzungsrisiko zu verringern. Wärmen Sie Ihren Körper zwei bis fünf Minuten lang auf, bevor Sie mit einem Ausdauer- oder Krafttraining beginnen. Machen Sie Übungen, die die Herzfrequenz

erhöhen und die arbeitenden Muskeln aufwärmen. Beispiele für diese Art von Aktivität sind Laufen, Joggen, Hampelmänner, Hüpfen und Laufen auf der Stelle.

Dehnen

Dehnen, während die Muskeln warm sind, ist nach einem guten Aufwärm- und Abkühltraining sehr wichtig. Dadurch wird das Verletzungsrisiko verringert. Dehnungsübungen sollten 15-30 Sekunden lang gehalten werden. Hier sind einige Beispiele für Dehnungsübungen:

- Toe touch (Fig. C-1)
- Inner thigh stretch (Fig. C-2)
- Hamstring stretch (Fig. C-3)
- Achilles stretch (Fig. C-4)
- Side stretch (Fig. C-5)

Abkühlung

Der Zweck des Cool-downs besteht darin, den Körper am Ende des Trainings in seine (fast) normale Ruheposition zu bringen. Ein gutes Cool-down senkt langsam die Herzfrequenz und fördert die Regeneration.

SOMMAIRE

Consignes de sécurité	33
Garantie	33
Instructions de montage	33
Ajustement	34
Déplacement	35
Entraînement avec la fréquence cardiaque	35
Entraînement avec des APPS de fitness	35
Entretien	36
Dépannage	37
Codes d'erreur	37
Console	37
Programmes	38
Directives de formation	39

CONSIGNES DE SÉCURITÉ

⚠ AVERTISSEMENT

Consultez votre médecin avant de commencer à faire de l'exercice. Ceci est particulièrement important pour les personnes ayant des problèmes de santé. Veuillez lire toutes les instructions avant d'utiliser la machine. VirtuFit n'assume aucune responsabilité pour les blessures ou les dommages matériels résultant de l'utilisation de cet équipement. Veuillez lire attentivement ce manuel avant d'assembler et/ou d'utiliser la machine.

- Assurez-vous que la machine est correctement assemblée et que tous les écrous et boulons sont bien serrés avant de l'utiliser.
- Ne portez pas de vêtements amples pour éviter qu'ils ne se prennent dans les pièces mobiles.
- Installez et utilisez l'appareil sur une surface solide et plane.
- Portez toujours des chaussures de sport propres lorsque vous utilisez l'appareil.
- Tenez les enfants et les animaux domestiques à l'écart de l'appareil pendant son utilisation.
- Maintenez votre équilibre lorsque vous utilisez l'appareil.
- Ne placez pas vos doigts ou d'autres objets dans les parties mobiles.
- Avant de vous entraîner, consultez votre médecin afin de déterminer la fréquence, la durée et l'intensité d'entraînement

appropriées à votre âge et à votre condition physique. Arrêtez immédiatement l'entraînement si vous ressentez des nausées, un essoufflement, un évanouissement, des maux de tête, des douleurs thoraciques, une oppression ou tout autre malaise.

- Ne tenez pas la machine par le siège lors des déplacements.
- Cet appareil ne doit être utilisé que par une seule personne à la fois.
- Cette machine est conçue pour un usage domestique et le poids maximal de l'utilisateur est de 130 kg.
- Laissez 1 à 2 mètres d'espace derrière la machine pour éviter les accidents.
- Placez la machine sur une surface propre et plane. Ne le posez pas sur un tapis épais, qui pourrait gêner la ventilation de l'appareil. Ne placez pas l'appareil à l'extérieur ou près de l'eau.
- Maintenez l'emplacement de stockage sec, propre et de niveau pour éviter tout dommage. Il est interdit d'utiliser l'appareil à des fins autres que la formation.
- Utilisez l'appareil uniquement dans un environnement dont la température ambiante est comprise entre 10 °C et 35 °C. Conservez l'appareil uniquement dans un environnement dont la température est comprise entre 5 °C et 45 °C.

GARANTIE

Les demandes de garantie sont exclues si la cause du défaut est le résultat de:

- Travaux d'entretien et de réparation non effectués par un concessionnaire officiel. Sauf indication contraire du fournisseur ou du fabricant.
- En cas d'utilisation inappropriée, de négligence et/ou de mauvais entretien.
- Le fait de ne pas entretenir l'appareil conformément aux instructions du fabricant.

INSTRUCTIONS DE MONTAGE (STEP 01-05)

Des pièces manquantes: Si certaines pièces manquent dans l'emballage, vérifiez soigneusement la mousse de polystyrène et l'appareil lui-même. Certaines pièces (boulons, vis, etc.) sont déjà fixées à l'appareil.

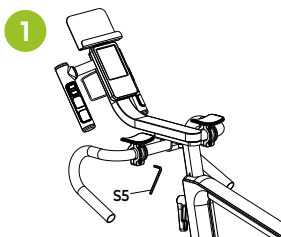
Message d'erreur: Veillez à ce que tous les câbles soient fixés avec soin. Les pieds en aluminium de la console sont très sensibles et doivent rester droits. Si la console donne un message d'erreur après le montage de la machine, il se peut que les pieds en aluminium de la console soient pliés. Redressez les pieds en aluminium, cela peut faire disparaître le message d'erreur.

Boulons à tête hexagonale: Assurez-vous que la clé hexagonale est bien enfoncée dans le boulon avant d'appliquer la force. Cela empêchera la tête du boulon à douille de tourner.

AJUSTEMENT

Réglage du guidon (2)

- Déverrouiller les boulons des protège-coudes à l'aide de la clé hexagonale S5.
- Régler les protège-coudes dans une position confortable.
- Resserrer les boulons.

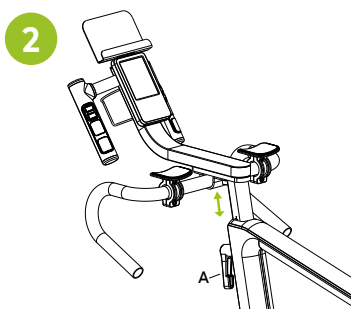


Réglage du guidon (2)

Avant l'exercice, réglez la position du guidon et de la selle à la hauteur et à la distance qui conviennent le mieux à l'utilisateur.

Suivez les étapes ci-dessous pour régler le guidon :

- Tournez le bouton de réglage (A) situé à l'avant du cadre principal dans le sens inverse des aiguilles d'une montre.
- Le guidon est libéré et peut être réglé à la bonne hauteur.
- Resserrez le bouton de réglage rond en le tournant dans le sens des aiguilles d'une montre (sens des aiguilles d'une montre).

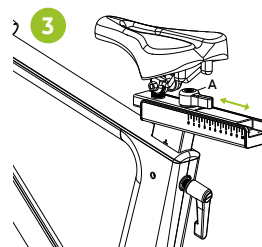


Réglage de la selle (3-4)

Avant l'entraînement, réglez la position du guidon et de la selle à la hauteur et à la distance qui conviennent le mieux à l'utilisateur.

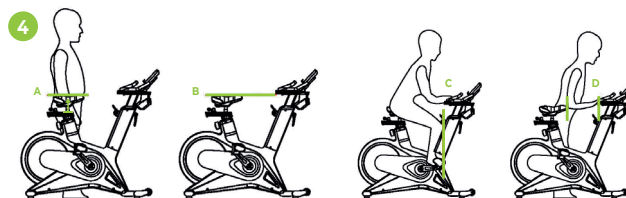
Suivez les étapes ci-dessous pour régler la position horizontale de la selle (FIG. 3):

- Tournez le bouton de réglage situé sous la selle dans le sens inverse des aiguilles d'une montre (sens inverse des aiguilles d'une montre).
- La selle se détache et peut être réglée en position horizontale pour ajuster la distance entre la selle et le guidon.
- Resserrez le bouton de réglage en le tournant dans le sens des aiguilles d'une montre (sens des aiguilles d'une montre).



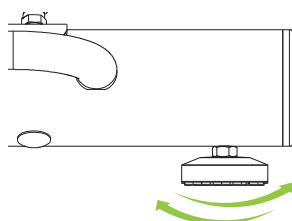
Suivez les étapes ci-dessous pour régler la hauteur du siège (FIG. 4):

- Placez-vous à côté de l'appareil et réglez la selle à la hauteur des hanches (FIG. 4A).
- La hauteur de la selle et du guidon doit être la même (FIG. 4B). Si ce n'est pas le cas, réglez la hauteur du guidon en fonction de la hauteur de la selle.
- Assurez-vous que votre genou est juste derrière votre pied lorsque votre pied est vers l'avant de l'appareil (FIG. 4C).
- Réglez le guidon de manière à ce que la distance entre la selle et le guidon soit égale à la longueur de votre avant-bras (FIG. 4D).



Niveau

Veillez à ce que le vélo soit toujours sur une surface stable. En cas de doute, un tapis en caoutchouc peut être placé sous le vélo d'appartement afin d'assurer une meilleure adhérence au sol. Le vélo peut être réglé en tournant les pieds réglables de chaque côté du vélo (FIG. A). Cela permet au vélo de compenser les irrégularités du sol.



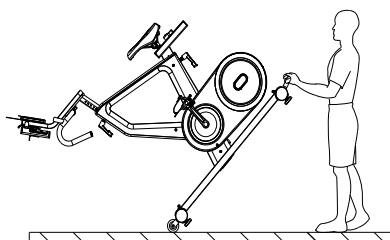
Bretelles de sécurité

- Mettez votre pied sur la pédale et serrez la ceinture.
- Commencez à pédaler.
- Après avoir pédalé, n'oubliez pas d'appuyer sur le bouton de sécurité avant de détacher la ceinture de sécurité.
- Vous pouvez maintenant descendre du vélo en toute sécurité.

DÉPLACEMENT

ATTENTION! Rangez l'appareil dans un endroit sec et hors de portée des enfants. Assurez-vous que l'appareil est stable et sécurisé afin d'éviter qu'il ne tombe sur les enfants ou les animaux.

Poussez le guidon vers le bas jusqu'à ce que les roues de transport du stabilisateur avant touchent le sol. Lorsque les roues de transport touchent le sol, le vélo peut être facilement déplacé à l'endroit souhaité.



ENTRAÎNEMENT AVEC LA FRÉQUENCE CARDIAQUE

Capteurs de main

Cet appareil de fitness VirtuFit est équipé de capteurs manuels pour mesurer la fréquence cardiaque. Les capteurs manuels sont fixés à la poignée et ne fonctionnent que si les deux capteurs sont maintenus pendant une période prolongée. Pour une performance optimale, il est important que les mains soient légèrement humides et exercent une pression constante sur les capteurs. Des mains trop sèches ou trop humides peuvent entraîner des relevés anormaux.

REMARQUE! Pour éviter toute interférence, n'utilisez jamais les capteurs manuels avec un moniteur de fréquence cardiaque sans fil.

Moniteur de fréquence cardiaque sans fil (5 kHz)

Cet appareil de fitness VirtuFit est équipé d'un récepteur de fréquence cardiaque sans fil. Pour mesurer la fréquence cardiaque avec un moniteur de fréquence cardiaque sans fil, vous devez utiliser un moniteur de fréquence cardiaque qui fonctionne sur une fréquence de 5 kHz. Avec un cardiofréquencemètre sans fil, il est important que les électrodes soient légèrement humides et que le cardiofréquencemètre soit bien adapté à votre corps. Reportez-vous au manuel d'utilisation de votre cardiofréquencemètre pour obtenir des instructions appropriées. Une utilisation incorrecte du moniteur de fréquence cardiaque peut entraîner des relevés anormaux.

REMARQUE!

- Un moniteur de fréquence cardiaque sans fil n'est pas fourni en standard. Contactez votre revendeur pour acheter un moniteur de fréquence cardiaque sans fil.
- Pour éviter toute interférence, n'utilisez jamais le cardiofréquencemètre sans fil en combinaison avec les capteurs manuels.

⚠ AVERTISSEMENT!

- Si vous avez un stimulateur cardiaque, nous vous recommandons de consulter votre médecin avant d'utiliser un moniteur de fréquence cardiaque sans fil.
- Dans les pièces où se trouvent plusieurs cardiofréquencemètres, il est recommandé de garder une distance suffisante pour éviter les interférences entre les différents appareils.
- Essayez toujours de maintenir le cardiofréquencemètre sans fil à moins d'un mètre de la console pour une réception optimale.
- Portez toujours un cardiofréquencemètre sans fil directement sur le corps, sous les vêtements.

ENTRAÎNEMENT AVEC DES APPS DE FITNESS

VirtuFit ne fournit pas de service pour les applications de fitness tierces telles que Kinomap, iConsole, FitShow etc. Si vous rencontrez des problèmes avec une application de fitness tierce, veuillez contacter le développeur de l'application en question.

Instruction

- Pour scanner le code QR avec un téléphone ou une tablette Android ou IOS, un scanner de code QR est nécessaire. L'application permettant de scanner les codes QR peut être téléchargée sur l'App Store ou le Google Play Store.

- Scannez l'un des codes QR ci-dessous pour accéder directement à la page de l'App Store ou du Google Play Store où l'application de fitness peut être téléchargée.
- Scannez le code QR à droite pour accéder au manuel de l'application de fitness. Le manuel décrit étape par étape comment connecter l'application de fitness à l'appareil, comment l'application de fitness fonctionne et quelles sont ses possibilités.

Fitshow



APP STORE



GOOGLE PLAY



MANUAL

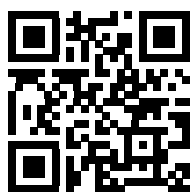
Zwift



APP STORE



GOOGLE PLAY



MANUAL

ENTRETIEN

Une utilisation sûre et efficace ne peut être obtenue que si l'appareil est correctement installé et entretenu. Il est de votre responsabilité de veiller à ce que l'appareil soit entretenu régulièrement. Les pièces qui ont été utilisées et/ou endommagées doivent être remplacées avant toute nouvelle utilisation de l'appareil. L'appareil doit être utilisé et rangé uniquement à l'intérieur. Une exposition à long terme aux intempéries et aux changements de température/humidité peut avoir un impact sérieux sur les composants électriques et les pièces mobiles de l'appareil. Débranchez toujours le câble d'alimentation de l'appareil avant de le nettoyer ou de l'entretenir.

Entretien quotidien

- Nettoyez et éliminez la sueur et l'humidité après chaque utilisation.
- Vérifiez que l'appareil est exempt de poussière et de saleté.
- N'utilisez pas de produits de nettoyage agressifs et maintenez l'appareil à l'abri de l'humidité.

Entretien semestriel

- Inspectez tous les boulons et écrous liés aux parties mobiles de l'unité. Serrez les boulons et les écrous si nécessaire et selon les besoins.

Nous recommandons ce qui suit:

- Nettoyez l'appareil après utilisation.
- Utilisez un chiffon sec pour nettoyer le panneau de commande et les zones autour de l'interrupteur marche/arrêt.
- Utilisez un chiffon doux et propre et un détergent pour éliminer les marques et les saletés tenaces sur l'appareil.
- Conservez l'appareil dans un endroit sûr et sec, à l'abri de la chaleur et de l'eau.

ATTENTION! Toute réparation doit être effectuée par un technicien professionnel, sauf indication contraire du fournisseur ou du fabricant.

Nettoyage

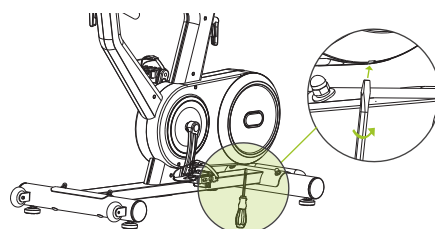
Un nettoyage général de l'appareil prolongera sa durée de vie. Gardez l'appareil propre en le dépoussiérant régulièrement.

Un entretien régulier prolongera la durée de vie de votre appareil et évitera les blessures ! Pour de plus amples informations, veuillez consulter le site <https://www.virtufit.nl/service/faq/>

ATTENTION! Portez des chaussures propres pour réduire le risque de salir l'appareil. Au moins une fois par an, retirez le capot pour le dépoussiérer.

Ouverture du boîtier de chaîne

- Préparez un tournevis cruciforme et un tournevis plat.
- Repérez le trou situé au bas du boîtier de la chaîne.
- Insérez le tournevis plat dans le trou.
- Tirez légèrement sur le boîtier de chaîne pour l'ouvrir tout en tenant le manche du tournevis plat.
- Démontez les vis à l'aide du tournevis cruciforme.



DÉPANNAGE

L'écran n'affiche aucune valeur: Vérifiez que les câbles du capteur et de la console sont correctement fixés et non endommagés. Si cela ne résout pas le problème, contactez le fournisseur.

Le L'appareil grince: Vérifiez que tous les boulons et écrous sont fermement serrés. Vérifiez si la plaquette de frein doit être lubrifiée.

Bruit de tic-tac lors du pédalage: Cela peut être causé par l'une des pédales. Démontez la (les) pédale(s) et montez-la (les) correctement sur l'appareil. Serrez fermement la ou les pédales. Si cela ne résout pas le problème, contactez le fournisseur.

REMARQUE! La pédale "R" (droite) doit être montée dans le sens des aiguilles d'une montre et la pédale "L" (gauche) doit être montée dans le sens inverse des aiguilles d'une montre.

La console ne fonctionne pas: S'il n'y a pas de signal lors du pédalage, vérifiez que le câble est correctement connecté.

L'affichage de la fréquence cardiaque ne fonctionne pas :

- Les câbles reliant le capteur de fréquence cardiaque à l'écran ne sont pas correctement fixés ou se sont détachés en cours d'utilisation.
- Les capteurs peuvent être humides, sales ou gras. Nettoyez-les régulièrement. S'il n'y a pas de signal lorsque vous pédalez, vérifiez si le câble est correctement fixé.

CODES D'ERREUR

E1:

- **Le moteur ne fonctionne pas (problèmes de moteur)**
Solution : Vérifiez que la fiche de câblage du moteur est correctement branchée. Rebranchez la fiche. Si cela ne résout pas le problème, contactez le fournisseur.
- **Rupture de câble dans la machine**
Solution : Vérifiez que les câbles ne sont pas endommagés ou qu'ils ne risquent pas de provoquer un court-circuit. Remplacez le câble. Si cela ne résout pas le problème, contactez le fournisseur.
- **La console ne donne pas de signal au moteur**
Solution : Remplacer la console. Si cela ne résout pas le problème, contactez le fournisseur.

E2:

- **Après le démarrage du test de graisse corporelle, le capteur manuel n'est pas tenu assez rapidement avec la main.**

Solution : Maintenez le capteur manuel dans les 3 secondes qui suivent le démarrage du programme de test. Si cela ne résout pas le problème, contactez le fournisseur.

- **La console n'affiche pas la valeur de la fréquence cardiaque**

Solution : Vérifiez si une valeur de fréquence cardiaque est affichée dans un autre mode. Si cela ne résout pas le problème, contactez le fournisseur.

CONSOLE (FIG. A)



- **[-] [+]** Appuyez sur cette touche pour sélectionner un programme ou augmenter/diminuer les valeurs.
- **↻** Appuyez sur cette touche pour accéder au menu principal. Appuyez sur cette touche et maintenez-la enfoncée pour réinitialiser toutes les valeurs.
- **♥** Recovery - Test de récupération de la fréquence cardiaque.
- **←** Confirmer la valeur sélectionnée.
- **▶|■** Démarrer ou arrêter l'entraînement.
- **[-] [+] FRONT** Diriger vers la gauche. Augmenter ou diminuer la vitesse avant.
- **[-] [+] REAR** Braquer à droite. Augmenter ou diminuer la vitesse arrière.

Fonctions

- **RPM** Nombre de tours par minute.
- **SPEED** La vitesse actuelle pendant l'exercice est affichée.
- **TIME** Le temps mesuré depuis le début de l'exercice est affiché. Si une durée d'entraînement a été définie, le temps est décompté.
- **DISTANCE** La distance parcourue pendant l'exercice est affichée. Si une distance a été définie, elle est décomptée.
- **AVERAGE SPEED** Vitesse moyenne pendant l'exercice
- **CALORIES** Le nombre de calories brûlées pendant l'exercice s'affiche. Si un objectif calorique a été défini, le nombre de calories est décompté.
- **PULSE** En cas d'utilisation d'une ceinture thoracique, la fréquence cardiaque pendant l'entraînement s'affiche. Si une fréquence cardiaque cible a été définie, une alarme se déclenche

lorsque la fréquence cardiaque cible est atteinte.

- **WATT** Affiche la puissance en watts.
- **GEAR** 24 niveaux de résistance.
- **AVANT** Vitesse avant 1-3.
- **REAR** Vitesse arrière 1-8.

PROGRAMMES (FIG.B, 1-3)

Programme manuel (FIG. B-1)

- Appuyez sur pour afficher les différents programmes. P1 mode montée, P2 mode montagne, P3 mode autoroute, P4 mode intervalle, P5 mode relaxation, P6 mode circuit.
- Appuyez sur pour commencer l'entraînement ou appuyez sur pour entrer dans le mode de réglage.
- En mode réglage, appuyez sur pour sélectionner la valeur réglée. La valeur sélectionnée (temps, distance, calories, âge) clignote (dans P1-P5).
- Appuyez sur pour augmenter ou diminuer la valeur et appuyez sur pour sélectionner l'élément suivant.
- Appuyez sur pour démarrer la séance d'entraînement.
- Pendant l'entraînement, la résistance est réglée automatiquement en fonction du programme défini. Si cela ne vous convient pas, vous pouvez appuyer sur pour augmenter ou diminuer la valeur.
- Si l'un des réglages est effectué, la valeur correspondante est décomptée. Si cette valeur est à 0, un signal sonore retentit.
- Pendant l'exercice, appuyez sur pour arrêter ou mettre l'appareil en pause.

Body Fat (FIG. B-2)

- Appuyez sur pour sélectionner le programme. L'ordre de réglage est le suivant : sexe -> taille -> poids -> âge.
- Appuyez sur pour augmenter ou diminuer la valeur.
- M signifie homme et F signifie femme.
- Appuyez sur pendant 8 secondes pour démarrer le test et l'écran affichera BMI, FAT% et BMR. **ATTENTION! Appuyez sur le capteur de fréquence cardiaque en affichage continu avant le test.**
- Le test doit être effectué lorsque le corps est détendu et que le rythme cardiaque est calme.

BMI (BODY MASS INDEX)

GENDER/AGE	THIN	NORMAL	SLIGHTLY FAT	FAT	OBESE
MALE < 30	< 14	14 ~ 20	20.1 ~ 25	25.1 ~ 35	> 35
MALE > 30	< 17	17 ~ 23	23.1 ~ 28	28.1 ~ 38	> 38

FEMALE < 30	< 17	17 ~ 24	24.1 ~ 30	30.1 ~ 40	> 40
FEMALE > 30	< 20	20 ~ 27	27.1 ~ 33	33.1 ~ 43	> 43

BODY FAT (%)

GENDER	LOW	MEDIUM	MEDIUM/HIGH	HIGH
MALE	< 13	13 - 25.9	26 - 30	> 30
FEMALE	< 23	23 - 35.9	36 - 40	> 40

B.M.R. (TAUX MÉTABOLIQUE DE BASE)

Le nombre moyen de calories brûlées par jour pour les besoins de base de la vie.

- **Référence** 1300 ± 100 (22 - 40 ans).

BODY TYPE (COMPOSITE FIGURE)

B1	EXTREMELY THIN	B6	ABOVE NORMAL
B2	THIN	B7	OVERWEIGHT
B3	RELATIVELY THIN	B8	OBESE
B4	BELOW NORMAL	B9	EXTREMELY OBESE
B5	NORMAL		

HRC (FIG. B-3)









- Appuyez sur pour sélectionner le programme. L'ordre de réglage est le suivant : temps -> distance -> calories -> fréquence cardiaque cible.
- Appuyez sur pour augmenter ou diminuer la valeur.
- Appuyez sur pour commencer l'entraînement. La résistance est automatiquement ajustée à la fréquence cardiaque cible.
- Si l'un des paramètres est défini, la valeur correspondante est décomptée. Lorsque cette valeur est à 0, un signal sonore retentit.
- Pendant l'entraînement, appuyez sur pour arrêter ou mettre l'appareil en pause.

REMARQUE! Pour une meilleure utilisation de la fonction HRC, il est recommandé de porter une ceinture thoracique sans fil pendant l'exercice. Si l'écran ne détecte pas la valeur de la fréquence cardiaque, la résistance ne changera pas automatiquement.


Programme utilisateur (FIG. B-4)

- Appuyez sur pour sélectionner le programme U1-U4.
- Appuyez sur pour commencer l'entraînement ou sur

↩ pour entrer dans le mode de réglage. L'ordre de réglage est le suivant : temps -> distance -> calories -> résistance.

- Appuyez sur   pour augmenter ou diminuer la valeur ou pour passer au point suivant.
- Appuyez sur   pour commencer l'entraînement et, pendant l'entraînement, appuyez sur   pour augmenter ou diminuer la résistance.
- Lorsque l'un des paramètres est défini, la valeur correspondante est décomptée. Lorsque cette valeur est à 0, un signal sonore retentit.
- Pendant l'entraînement, appuyez sur   pour arrêter ou mettre l'appareil en pause.

Recovery (FIG. B-5)

- Pendant l'entraînement, appuyez sur  lorsque la valeur de la fréquence cardiaque est affichée et surveillez la fréquence cardiaque.
- TIME affiche "0:60" et commence à compter à rebours à partir de 60 secondes. Le système commence le test.
- Lorsque TIME est à "0:00", F1 - F6 s'affiche à l'écran. Cela indique le niveau de récupération de votre fréquence cardiaque.

F1 = 1.0	OPTIMUM
1.0 < F2 < 2.0	GOOD
2.0 < F3 < 2.9	RELATIVELY GOOD
3.0 < F4 < 3.9	NORMAL
4.0 < F5 < 5.9	RELATIVELY BAD
F6 = 6.0	BAD

REMARQUE! Il est recommandé d'effectuer le test de fréquence cardiaque dans la plage de la valeur de la fréquence cardiaque aérobie pendant l'entraînement. Cela n'affectera pas le résultat du test.

Pulse

VOIR AUSSI LE CHAPITRE "ENTRAÎNEMENT AVEC LA FRÉQUENCE CARDIAQUE".

AGE	TRAINING ZONE MIN-MAX (BPM)
20	133 - 167
25	132 - 166
30	130 - 164
35	129 - 162
40	127 - 161
45	125 - 159
50	124 - 156

AGE	TRAINING ZONE MIN-MAX (BPM)
55	122 - 155
60	121 - 153
65	119 - 151
70	118 - 150
75	117 - 147
80	115 - 146
85	114 - 144

DIRECTIVES DE FORMATION (FIG. C, 1-5)

Un programme d'entraînement réussi comprend un échauffement, l'entraînement proprement dit et un retour au calme. Effectuez le programme d'entraînement complet au moins deux, mais de préférence trois fois par semaine et gardez un jour de repos entre les séances d'entraînement. Après quelques mois, l'intensité de l'entraînement peut être augmentée, par exemple à quatre ou cinq fois par semaine.

L'échauffement

L'objectif d'un échauffement est de préparer le corps à l'entraînement et de réduire le risque de blessure. Réchauffez votre corps pendant deux à cinq minutes avant de commencer un entraînement cardio ou musculaire. Faites des exercices qui augmentent le rythme cardiaque et échauffent les muscles qui travaillent. Exemples de ce type d'activités: course, jogging, jumping jacks, saut à la corde et course sur place.

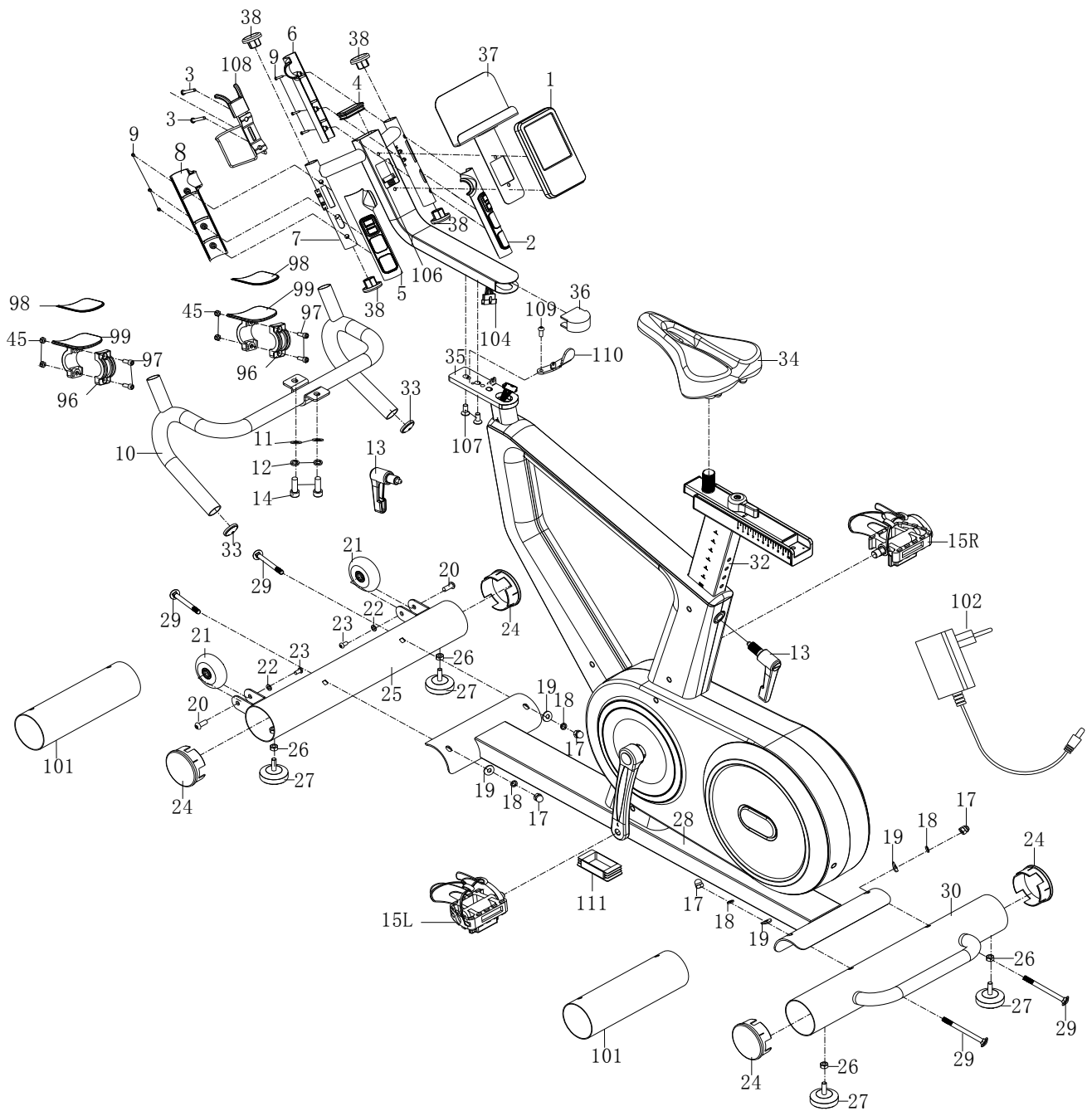
Étirements

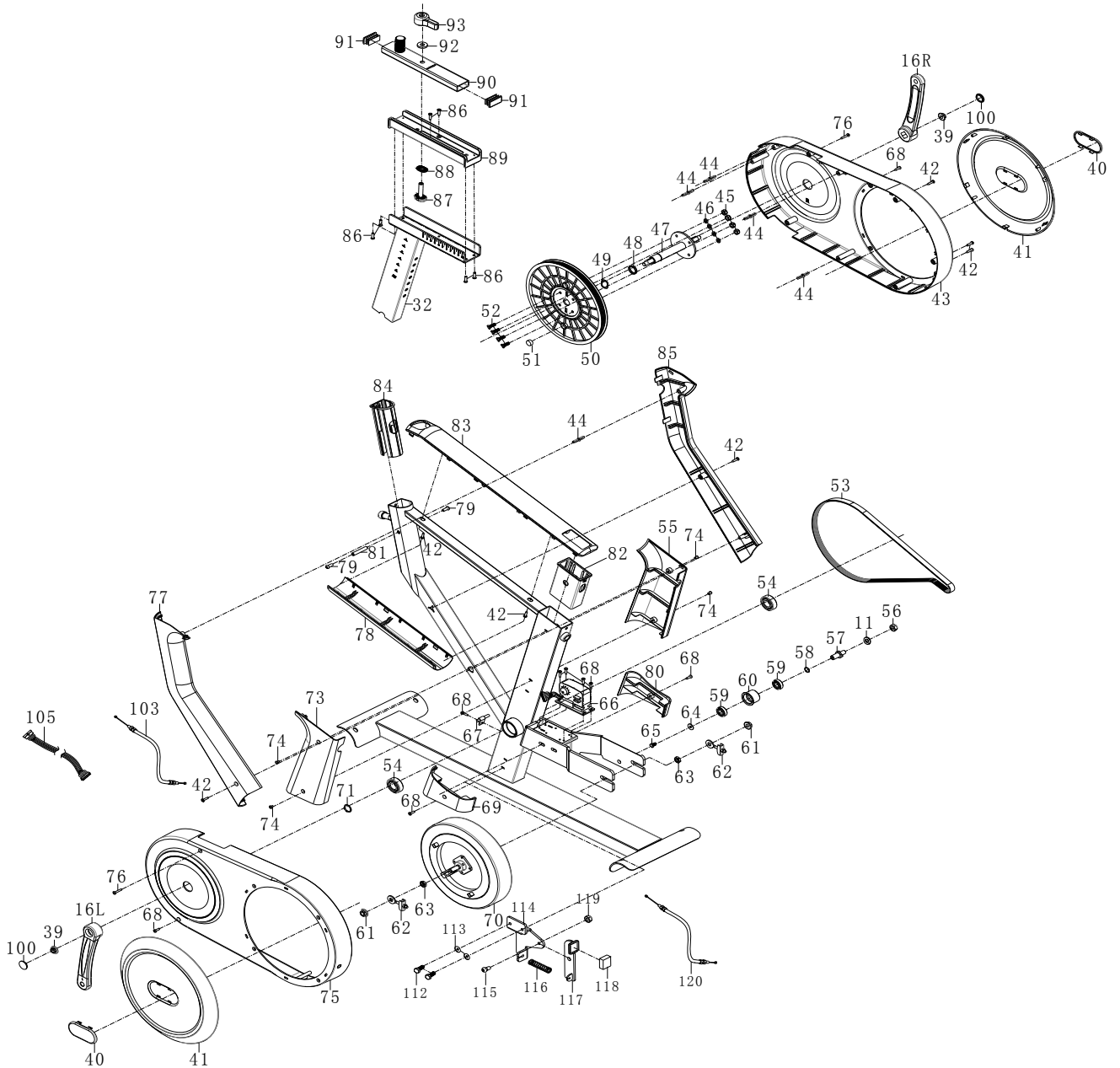
Les étirements pendant que les muscles sont chauds sont très importants après un bon échauffement et un bon retour au calme. Il réduit les risques de blessures. Les exercices d'étirement doivent être maintenus pendant 15 à 30 secondes. Voici quelques exemples d'exercices d'étirement:

- Toe touch (Fig. C-1)
- Inner thigh stretch (Fig. C-2)
- Hamstring stretch (Fig. C-3)
- Achilles stretch (Fig. C-4)
- Side stretch (Fig. C-5)

Retour au calme

Le but du refroidissement est de ramener le corps à sa position de repos (presque) normale à la fin de l'entraînement. Un bon retour au calme réduit lentement votre rythme cardiaque et favorise la récupération.





#	DESCRIPTION	QTY.
1	Display	1
2	Right handle top cover	1
3	Cross pan head screw M5*35	2
4	Square end cap J50	1
5	Right handle bottom cover	1
6	Left handle top cover	1
7	Display post	1
8	Left handle bottom cover	1
9	Cross recessed pan head tapping screws ST3*25*Φ5.6	6
10	Handlebar	1
11	Washer d10*φ20*2.0	3
12	Spring washer d10	2
13	L-shaped knob	2
14	Hexagon socket head screw	2
15	Pedal	1pair
16	Crank	1pair
17	Cap nut	4
18	Washer d8	4
19	Arc washer d8*Φ20*2*R38	4
20	Inner hex pan head bolt Φ7.8*30*M6*15*S5	2
21	Transportation wheel	2
22	Washer d6*Φ12*1.5	2
23	Inner hex pan head bolt M6*12*S5	2
24	Round end cap Φ76	4
25	Front stabilizer	1
26	Nut M8*H5.5*S14	4
27	Adjustable leveling knob	4
28	Mainframe	1
29	Square neck bolt M8*90*20*H5	4
30	Rear stabilizer	1
31	No need	-
32	Saddle post	1
33	End cap D28	2
34	Saddle	1
35	Handlebar post	1
36	Square end cap	1
37	IPAD holder	1
38	Round end cap	4

#	DESCRIPTION	QTY.
39	Flange nut M10*1.25*H7.5*S14	2
40	Decoration cover for plastic plate	2
41	Plastic plate	2
42	Cross pan head screw ST4.2*19*Φ8	7
43	Right chain cover	1
44	Connection bar	5
45	Nylon nut	8
46	Spring washer D6	4
47	Middle shaft	1
48	Middle shaft spacer	1
49	Corrugated washer d20*Φ26*0.3	1
50	Belt wheel	1
51	Round magnet	1
52	Bolt M6*16*S10	4
53	Multi-V belt	1
54	Bearing	2
55	Saddle post top right cover	1
56	Nylon nut M10*H9.5*S17	1
57	Free wheel shaft	1
58	Corrugated washer d12*Φ15.5*0.3	1
59	Bearing	2
60	Free wheel	1
61	Flange nut M10*1*H8*S15	2
62	Adjustable chain bolt	2
63	Conical nut M10*1*H5*S17	2
64	Washer d6*Φ16*1.5	1
65	Bolt M6*10*S10	1
66	Motor	1
67	Sensor	1
68	Cross pan head screw ST4.2*16*Φ8	9
69	Saddle post bottom left cover	1
70	Flywheel	1
71	Snap ring d20	1
72	No need	-
73	Saddle post top left cover	1
74	Cross pan head screw ST4.2*6*Φ8	4
75	Left chain cover	1
76	Cross pan head self-drilling screw ST4.2*25*Φ8	2

#	DESCRIPTION	QTY.
77	Left handlebar post cover	1
78	Bottom cover	1
79	Cross pan head screw M5*10*φ10	2
80	Saddle post bottom right cover	1
81	Limitation shaft	1
82	Bush	1
83	Top cover	1
84	D-shaped bush	2
85	Right handlebar post cover	1
86	Cross countersunk screwsM5*18*φ8	6
87	Locking block	1
88	Rubber band	1
89	Bottom slider	1
90	Saddle seat	1
91	Square end cap J40	2
92	Washer d10*φ20*2	1
93	Locking knob	1
94	No need	-
95	No need	-
96	Elbow pads	2
97	Bolt M6*15*S5	4
98	Support plate	2
99	Lock block for Elbow pads	2
100	Crank cover	2
101	Package tube	2
102	Adaptor	1
103	Resistance wire	1
104	Extension wire 1	1
105	Extension wire 2	1
106	Pulse wire	1
107	Hexagon socket countersunk head bolts	2
108	Aluminum bottle holder	1
109	Bolt M6*12*S5	1
110	Brake handle	1
111	End cap F80*40	1
112	Bolt M8*20*S13	2
113	Washer d8*φ16*1.5	2
114	Brake rod	1

#	DESCRIPTION	QTY.
115	Bolt M8*12*S5	1
116	Spring	1
117	Brake bolt	1
118	Brake block	1
119	Nylon nut M8*H7.5*S13	1
120	Brake cable	1
A	Allen wrench S8	1
B	Multi-function wrench S13-14-15	1
C	Allen wrench S5	1

virtufit

VIRTUFIT

Twekkelerweg 263
7553 LZ Hengelo
The Netherlands
info@virtufit.nl

VIRTUFIT SERVICE

Do you have a problem with your VirtuFit fitness equipment and would you like to submit a service request? Then scan the QR code on the right and fill in our service form.

